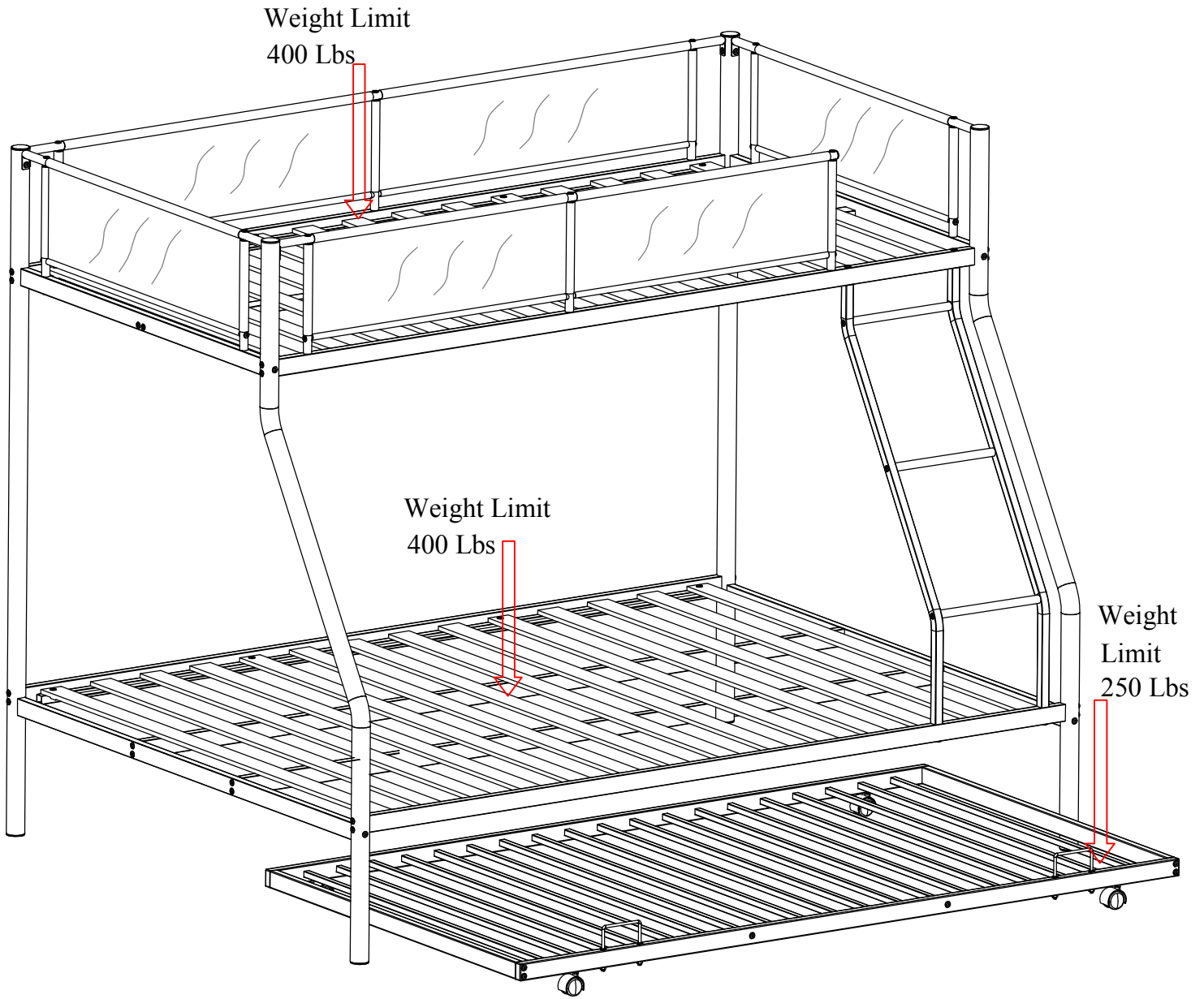
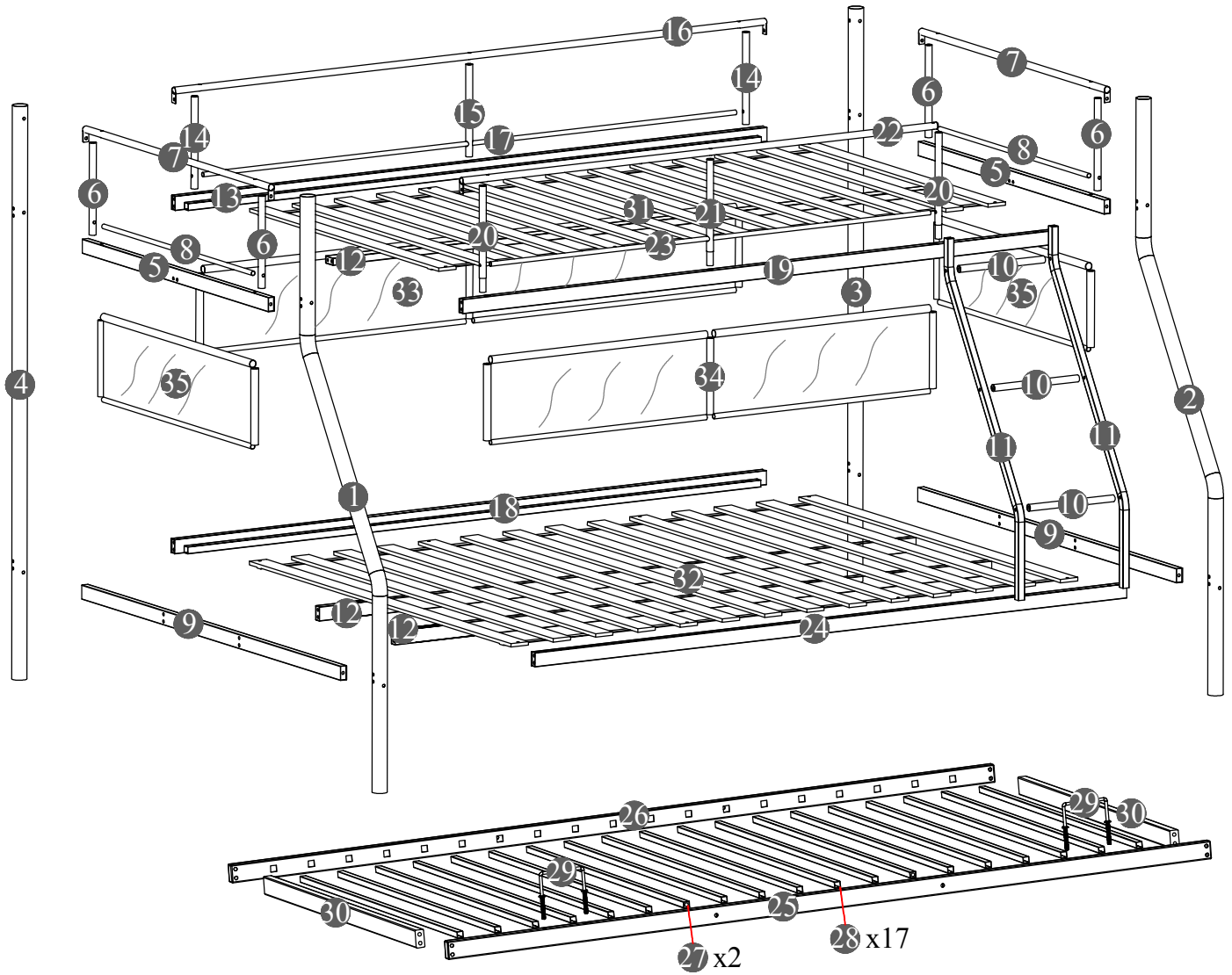


BUNK & TRUNDLE BED  
ASSEMBLY INSTRUCTIONS  
SKU : FU448



BUNK & TRUNDLE BED  
ASSEMBLY INSTRUCTIONS  
SKU : FU448

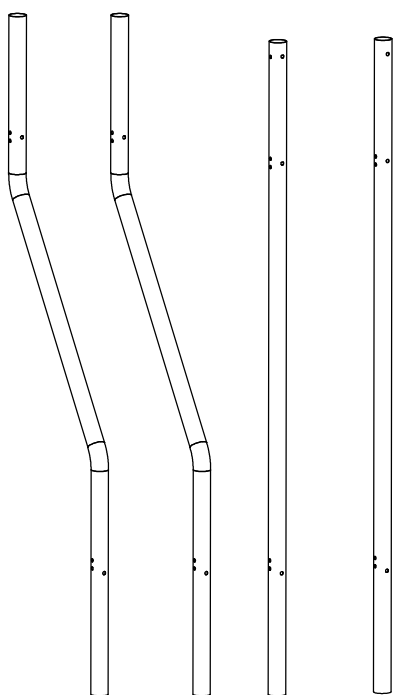
DETAIL VIEW



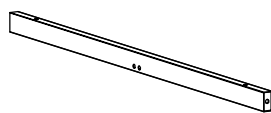
# BUNK & TRUNDLE BED ASSEMBLY INSTRUCTIONS

SKU : FU448

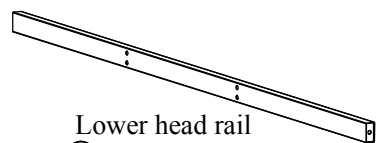
## PART LIST



Post ① x1      Post ② x1      Post ③ x1      Post ④ x1



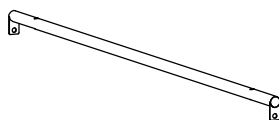
Upper head rail ⑤ x2



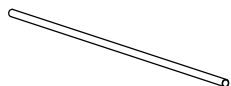
Lower head rail ⑨ x2



Upper head rail ⑥ x4



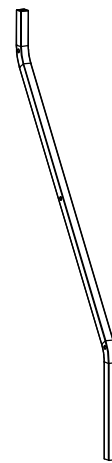
Upper head rail ⑦ x2



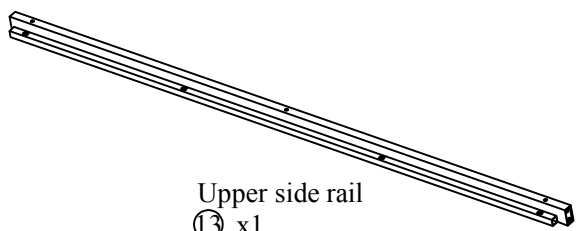
Upper head rail ⑧ x2



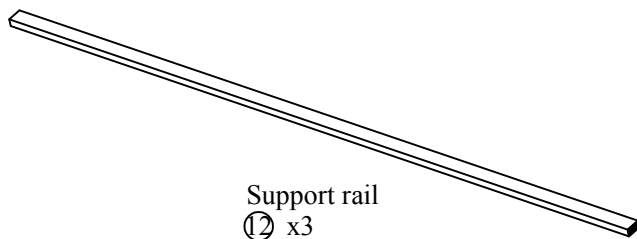
Ladder ⑩ x3



Ladder ⑪ x2



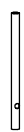
Upper side rail ⑬ x1



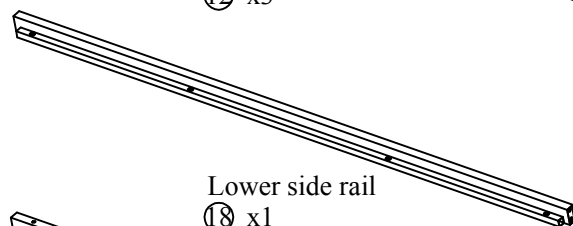
Support rail ⑫ x3



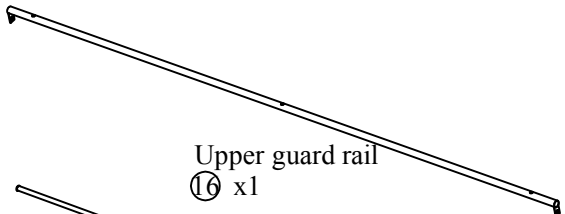
Upper guard rail ⑭ x2



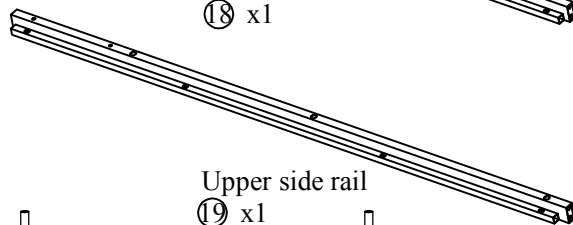
Upper guard rail ⑮ x1



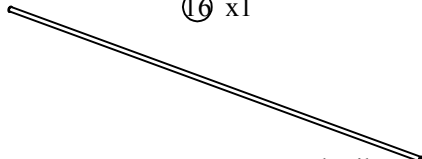
Lower side rail ⑱ x1



Upper guard rail ⑯ x1



Upper side rail ⑲ x1



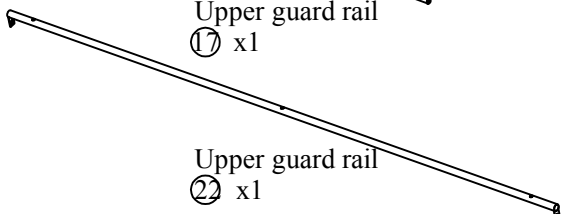
Upper guard rail ⑰ x1



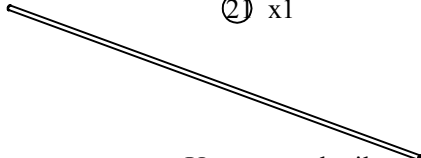
Upper side rail ⑳ x2



Upper side rail ㉑ x1



Upper guard rail ㉒ x1

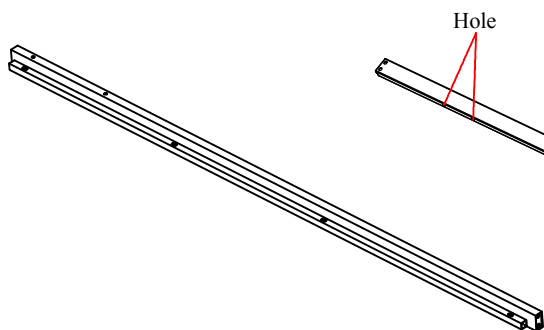


Upper guard rail ㉓ x1

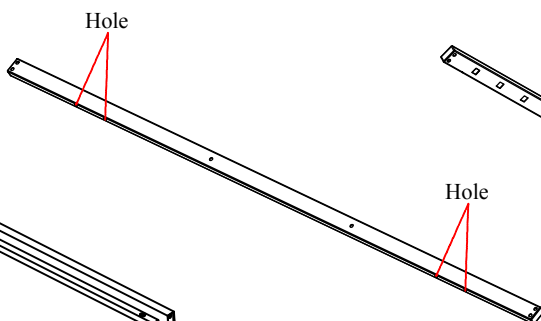
# BUNK & TRUNDLE BED ASSEMBLY INSTRUCTIONS

SKU : FU448

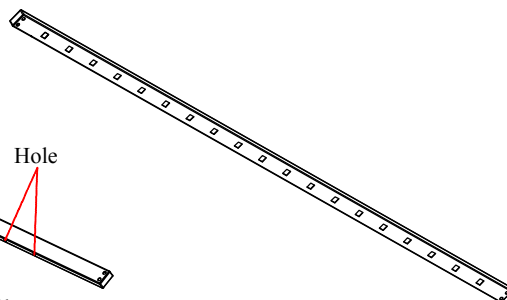
## PART LIST



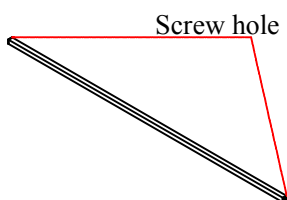
Lower side rail  
②④ x1



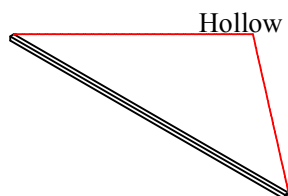
Trundle rail  
②⑤ x1



Trundle rail  
②⑥ x1



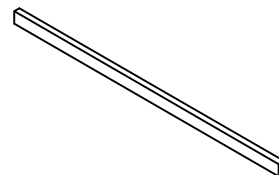
Trundle slat  
②⑦ x2



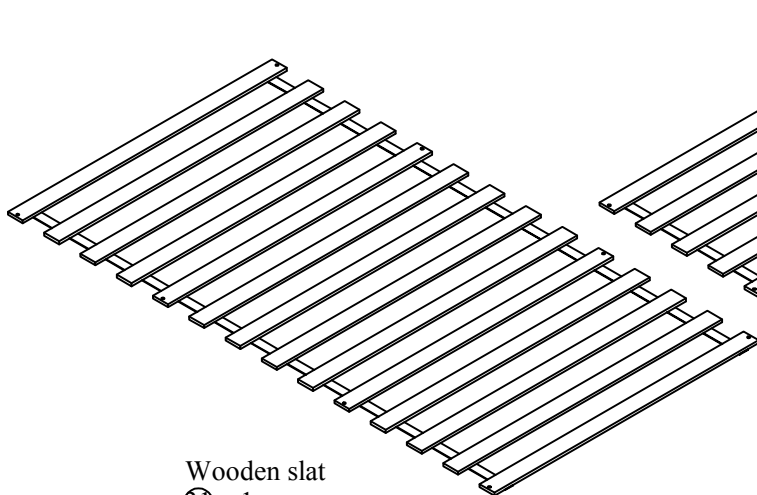
Trundle slat  
②⑧ x17



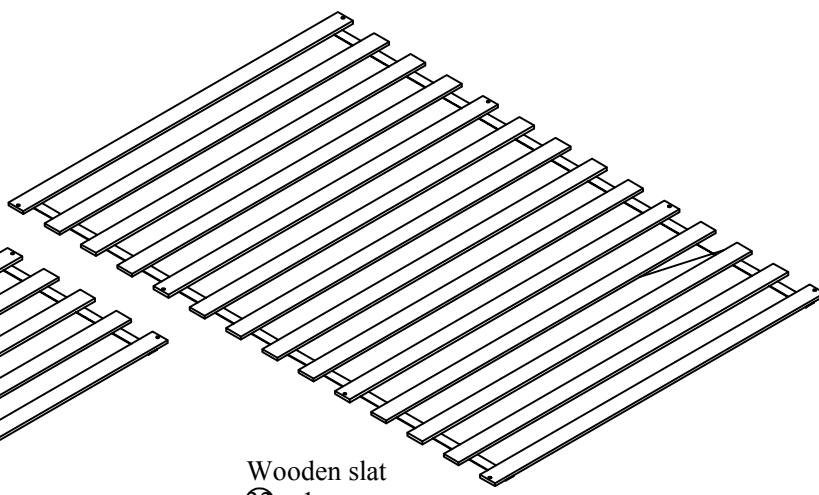
Trundle handle  
②⑨ x2



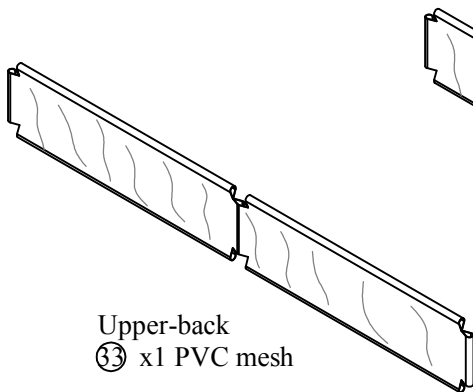
Trundle headrail  
③⑩ x2



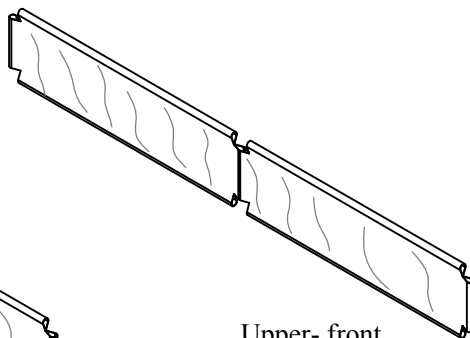
Wooden slat  
③① x1



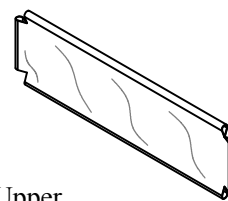
Wooden slat  
③② x1



Upper-back  
③③ x1 PVC mesh



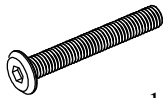
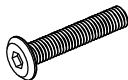
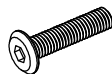
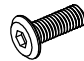



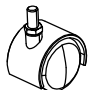
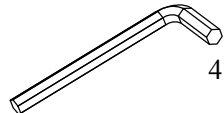
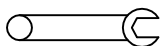
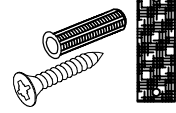
Upper-front  
③④ x1 PVC mesh



Upper  
③⑤ x2 PVC mesh

**BUNK & TRUNDLE BED  
ASSEMBLY INSTRUCTIONS  
SKU : FU448**

**HARDWARE LIST**

<p>Ⓐ Bolts</p>  <p>1/4"*60 35PCS</p>	<p>Ⓑ Bolts</p>  <p>1/4"*35 44PCS</p>	<p>Ⓒ Bolts</p>  <p>1/4"*25 16PCS</p>	<p>Ⓓ Bolts</p>  <p>1/4"*15 14PCS</p>
<p>Ⓔ Hex nut</p>  <p>1/4"*5 4PCS</p>	<p>Ⓕ End cap</p>  <p>⌀42 8PCS</p>		<p>Ⓖ Locking Caster</p>  <p>2PCS</p>
<p>Ⓗ Caster</p>  <p>2PCS</p>	<p>Ⓙ Allen key</p>  <p>4*59 1PC</p>	<p>Ⓚ Wrench</p>  <p>1PC</p>	<p>Ⓛ Connect wall</p>  <p>1/4*40 2 SET</p>

**SAFETY WARNINGS AND GENERAL NOTES:**

- Follow the information on the warnings on the bunk bed end structure and on the carton. Do not remove the warning label from the bed.
- Always use the recommended size mattress on mattress support, or both, to help prevent the likelihood of entrapment or falls.
- Do not allow children under 6 years of age to use the upper bunk.
- Periodically check and ensure the guardrail, ladder and other components are in their proper position, free from damage, and all connectors are tight.
- Do not allow horseplay on or under beds.
- Always prohibit jumping on the bed.
- Prohibit more than one person on upper bunk.
- Always use the ladder for entering and leaving the upper bunk.
- Do not use substitute parts. Contact the manufacturer or dealer for replacement parts.
- Use of a night-tight may provide added safety precaution for a child using the upper bunk.
- Always use guardrails on both long sides of the upper bunk.
- If the bunk bed will be placed next to a wall, the guardrail that runs the full length of the bed should be placed against the wall to prevent entrapment between the bed and the wall.
- The use of water or sleep flotation mattresses is prohibited.
- STRANGULATION HAZARD**-Never attach or hang items to any part of the bunk bed that are not designed for use with the bed.
- Keep these instructions for future reference.
- We recommend assembling your bunk bed on the shipping carton to protect your floor or carpet.
- Be certain all staples are out of the box before beginning assembly on the shipping carton.
- USE ONLY MATTRESSES WHICH ARE AS THE TABLE BELOW ON UPPER AND ON LOWER BUNKS.**

**Down bed**

Bed type	Length	Width	Thickness
Full Standard	74" – 75"	53 ½"	8" max

**Up bed (bunk bed and trilled included)**

Bed type	Length	Width	Thickness
Twin Standard	74" – 75"	38 ½"	6" max

- SURFACE OF MATTRESS MUST BE AT LEAST 5" (127MM) BELOW THE UPPER EDGE OF GUARDRAILS.**

**19. Replacement Parts:**

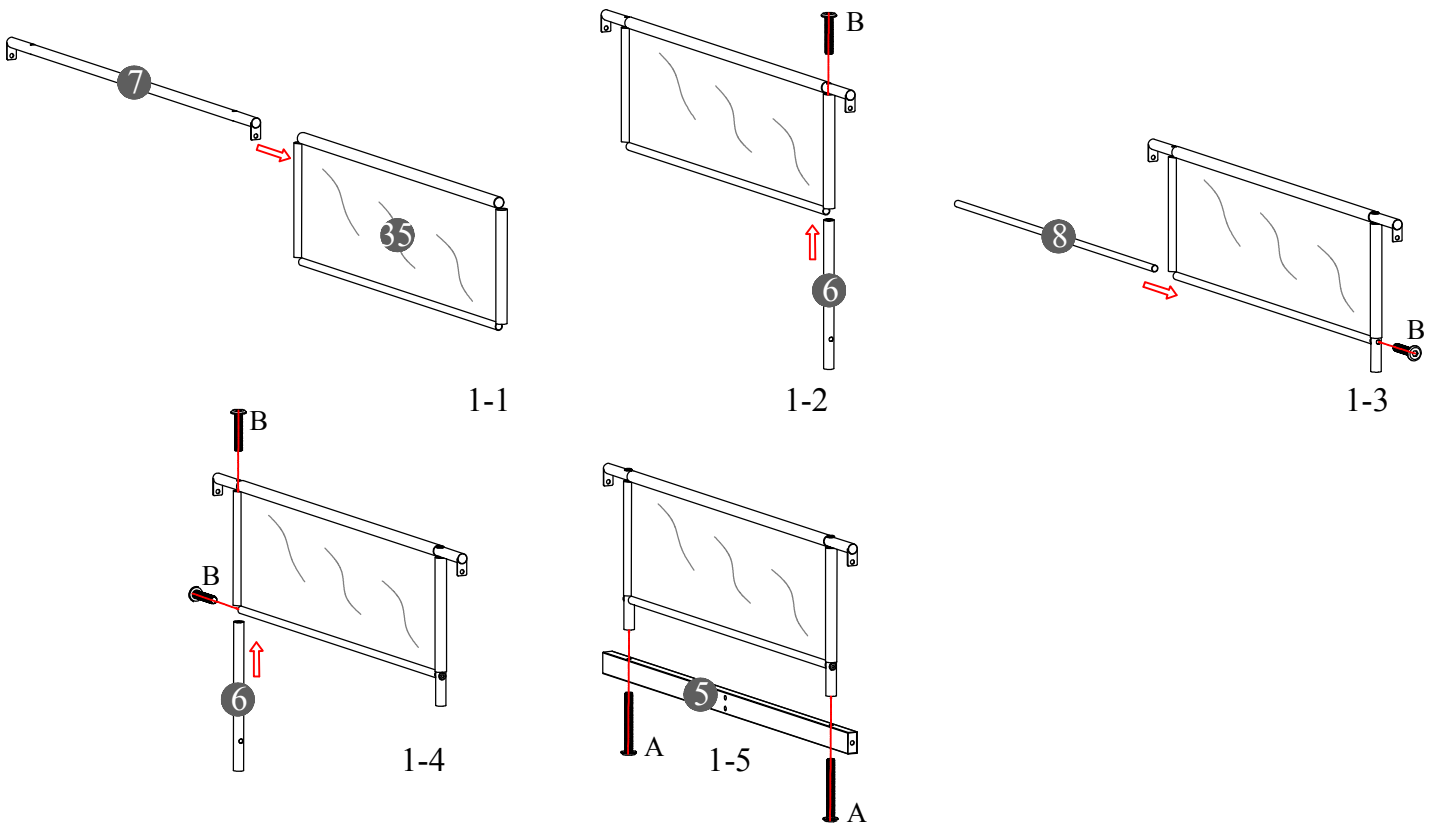
Replacement Parts, including additional guardrails, may be obtained from any of our (SMART BRIGE INTERNATIONAL CO., LTD. 25 GUZMAN STREET, BELAMA PHASE 1, BELIZE CITY, BELIZE , CENTRAL AMERICA) dealers.

- Please, do not tighten any screw before each assembling unit is well placed AT appropriate position.

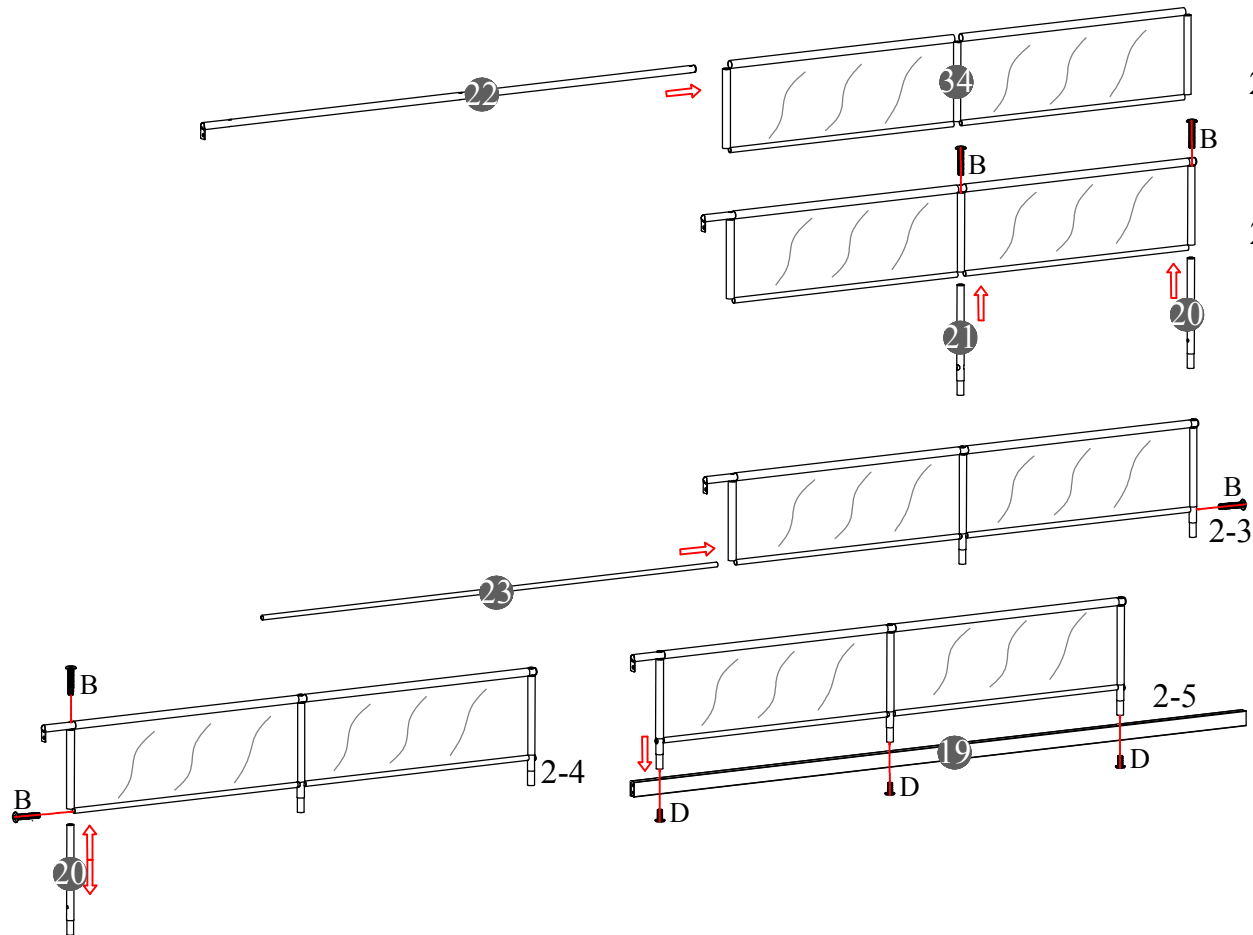
# BUNK & TRUNDLE BED ASSEMBLY INSTRUCTIONS

SKU : FU448

## STEP 1 : 2 SET



## STEP 2 : 1 SET

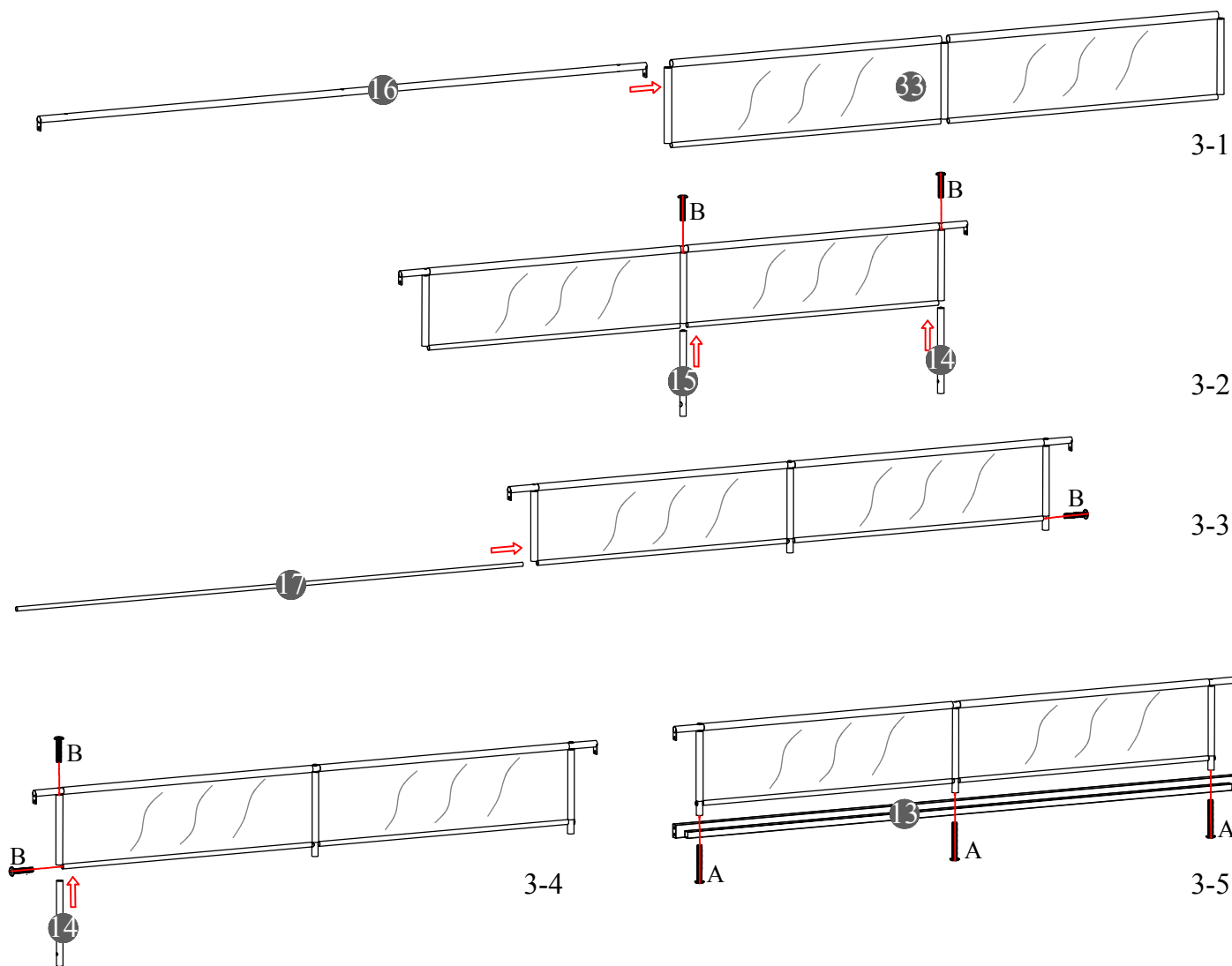


(A)	4PCS
	1/4*60
(B)	13PCS
	1/4*35
(D)	3PCS
	1/4*15
(I)	1PC
	4*59

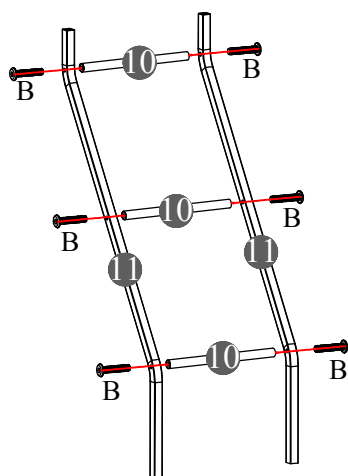
# BUNK & TRUNDLE BED ASSEMBLY INSTRUCTIONS



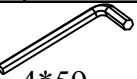
SKU : FU448

## STEP 3 : 1 SET



## STEP 4 : 1 SET

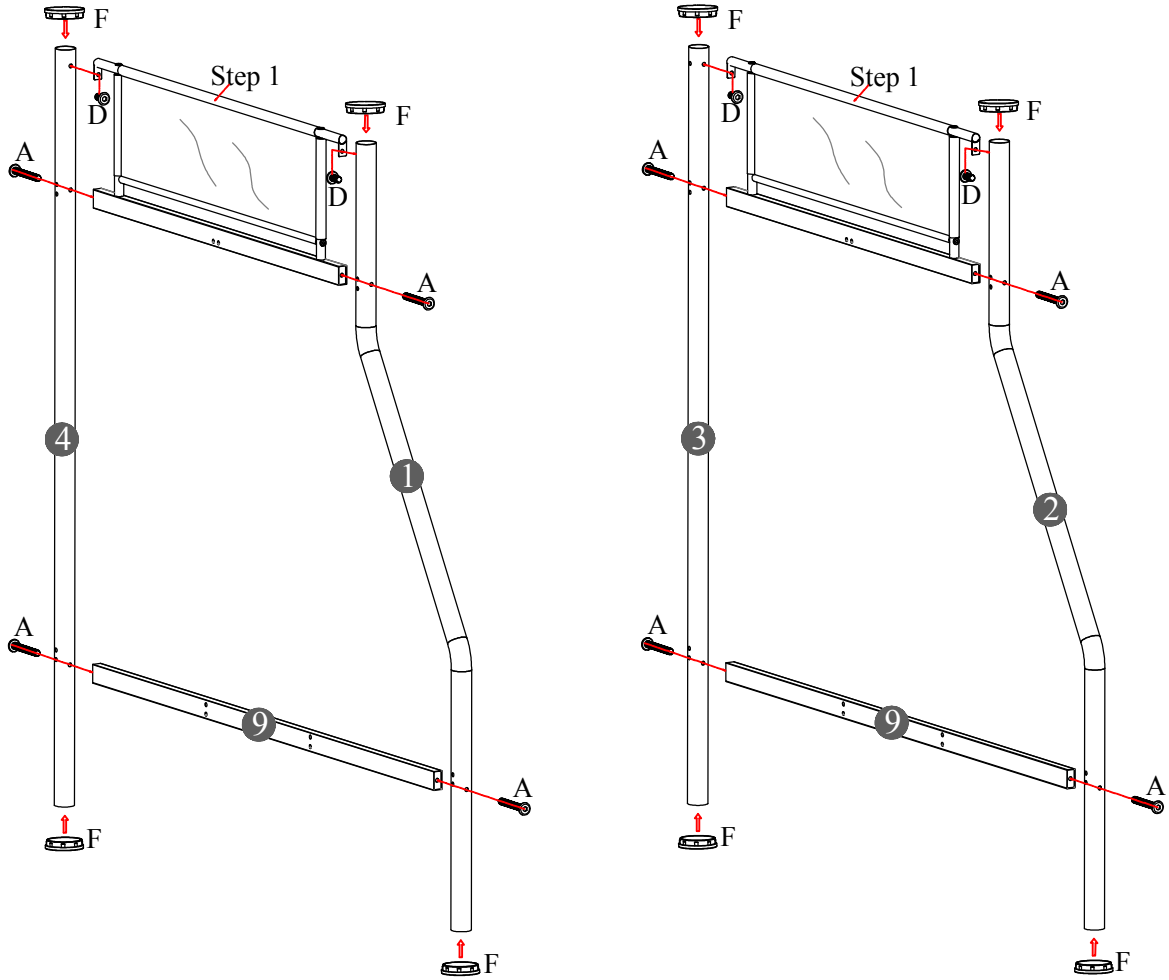


(A)	3PCS
	1/4*60
(B)	11PCS
	1/4*35
(1)	1PC
	4*59

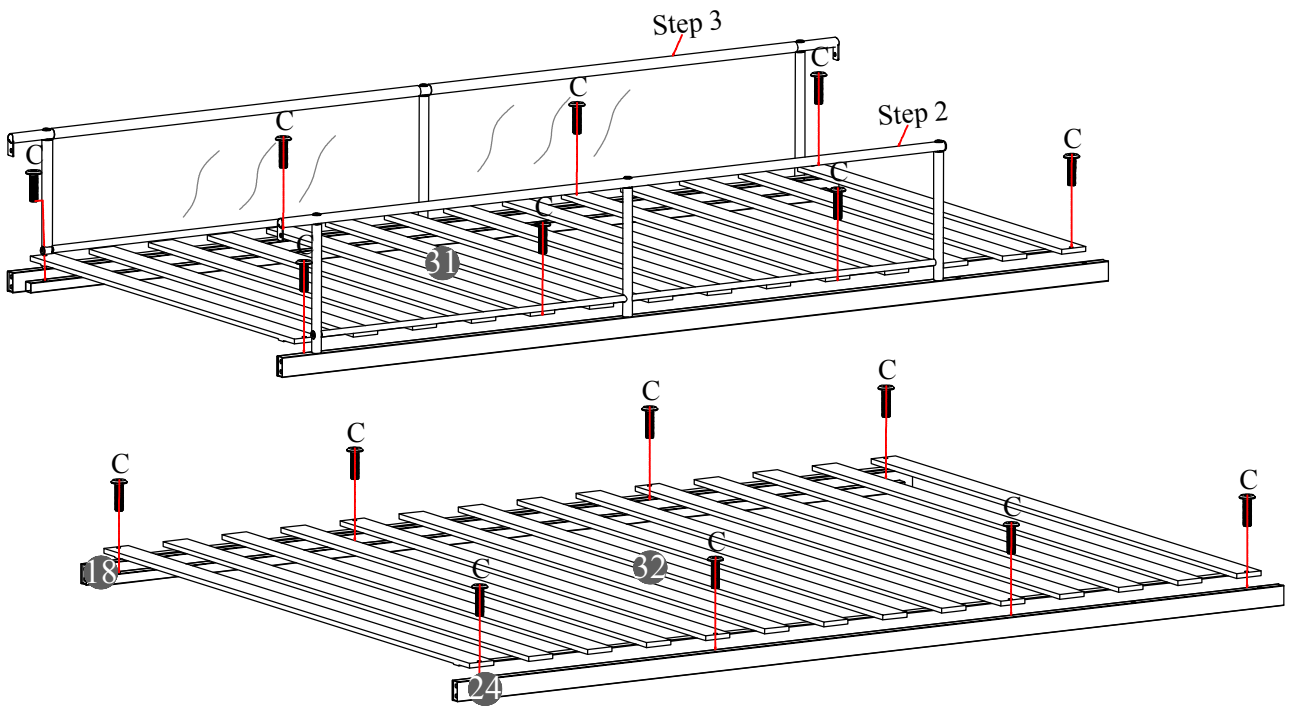
# BUNK & TRUNDLE BED ASSEMBLY INSTRUCTIONS






SKU : FU448

STEP 5 :



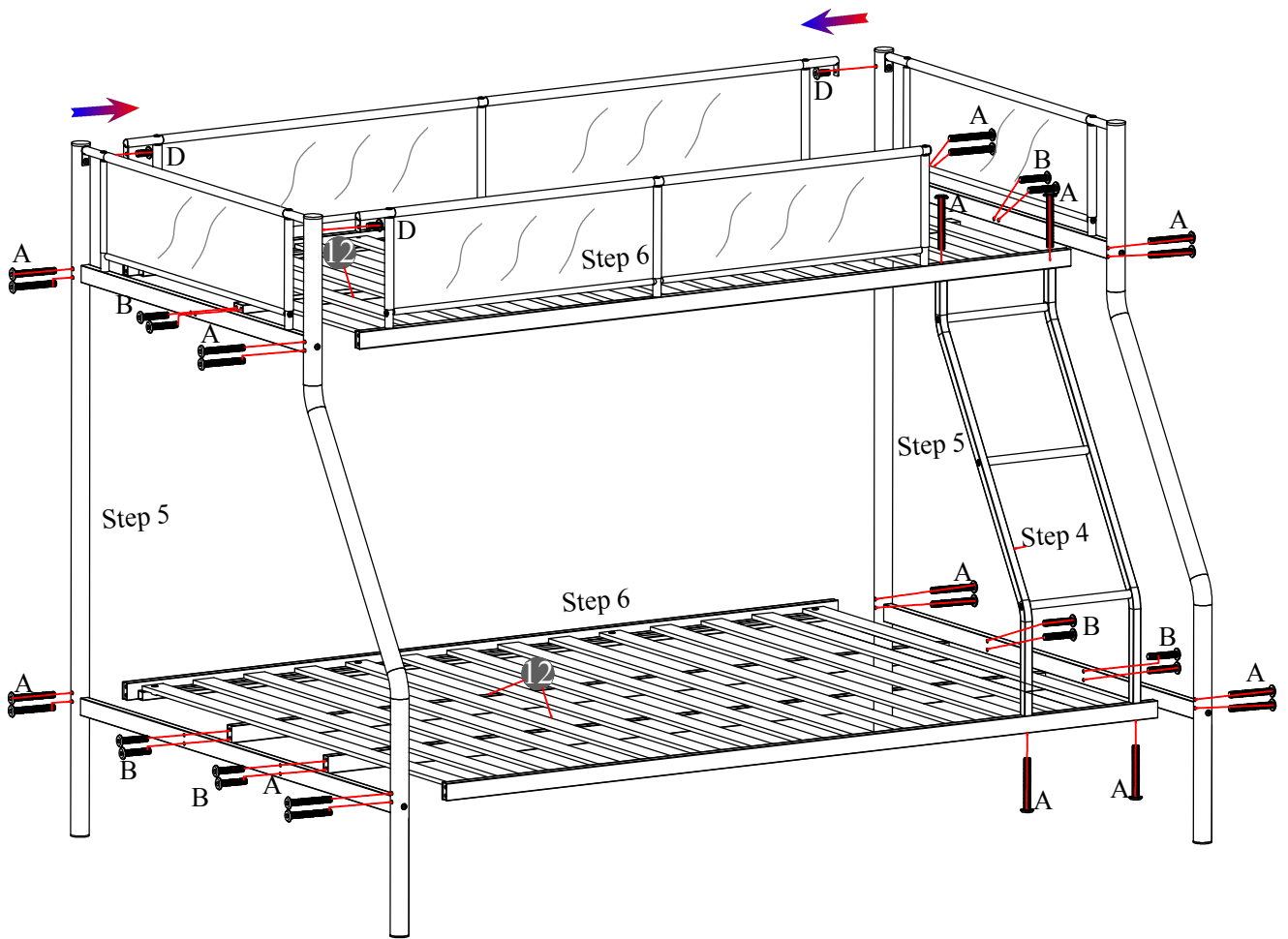
STEP 6 :




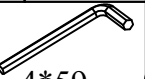


(A) 8PCS	(C) 16PCS	(D) 4PCS	(F) 8PCS	(1) 1PC
				
1/4*60	1/4*25	1/4*15	φ42	4*59

# BUNK & TRUNDLE BED ASSEMBLY INSTRUCTIONS SKU : FU448

STEP 7 :

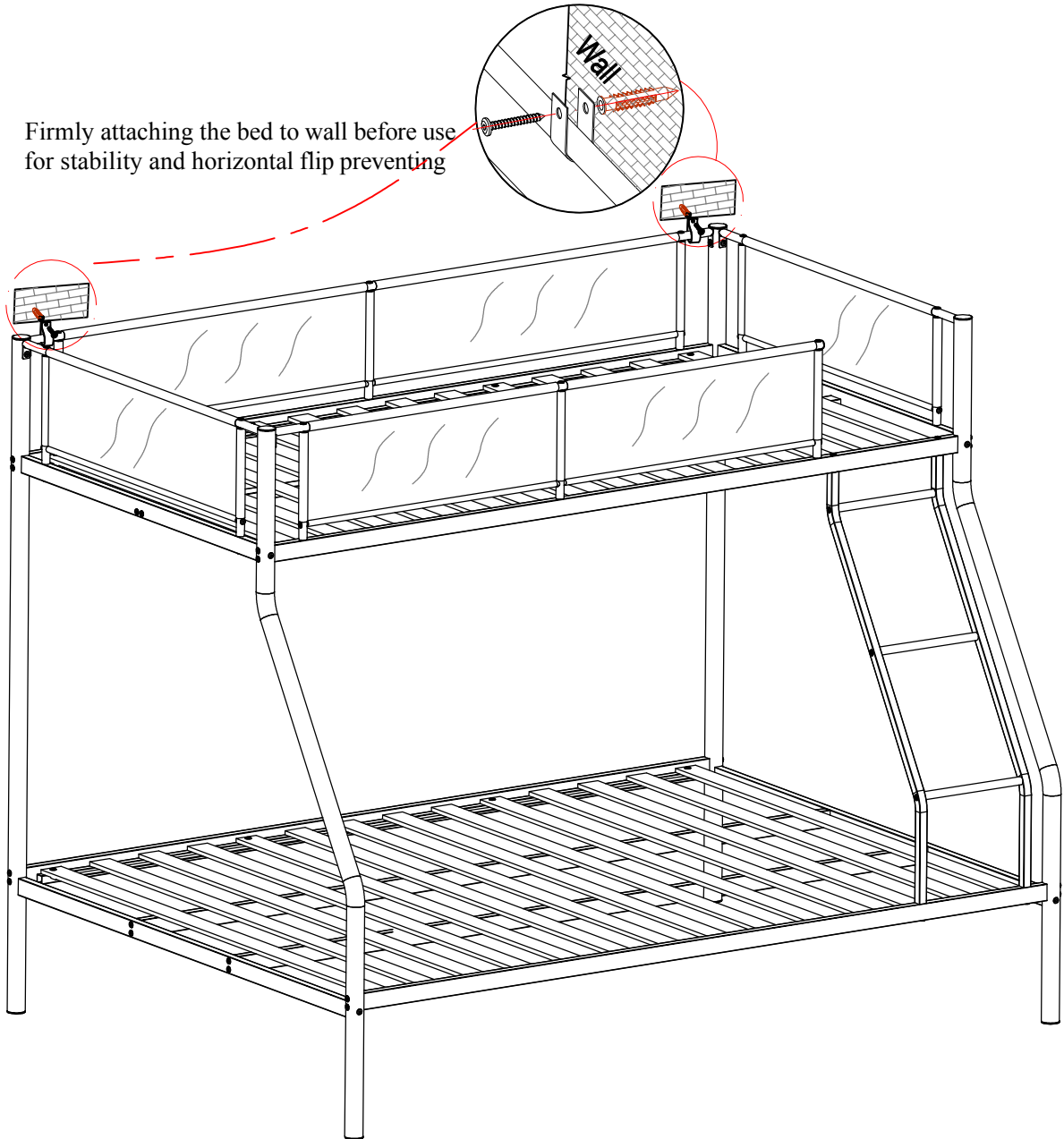


(A) 20PCS	(B) 12PCS	(D) 3PCS	(I) 1PC
 1/4*60	 1/4*35	 1/4*15	 4*59

BUNK & TRUNDLE BED  
ASSEMBLY INSTRUCTIONS  
SKU : FU448

STEP 8 :

Firmly attaching the bed to wall before use  
for stability and horizontal flip preventing

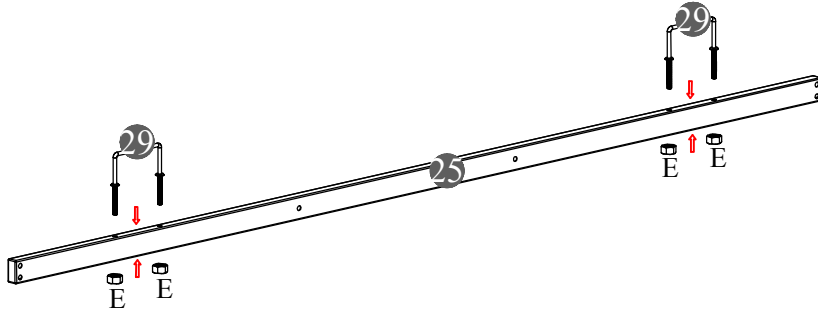


①	2 SET
①	1PC
4*59	

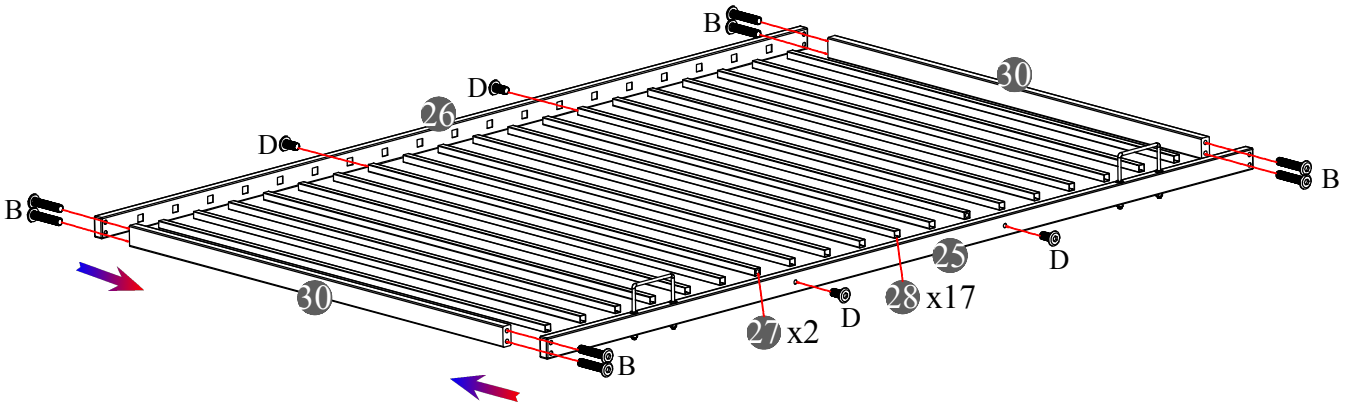
NOTE: Tighten all step before using. Thank you.

# BUNK & TRUNDLE BED ASSEMBLY INSTRUCTIONS SKU : FU448

STEP 9 :



STEP 10 :



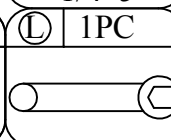
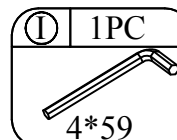
(B) 8PCS



(D) 4PCS

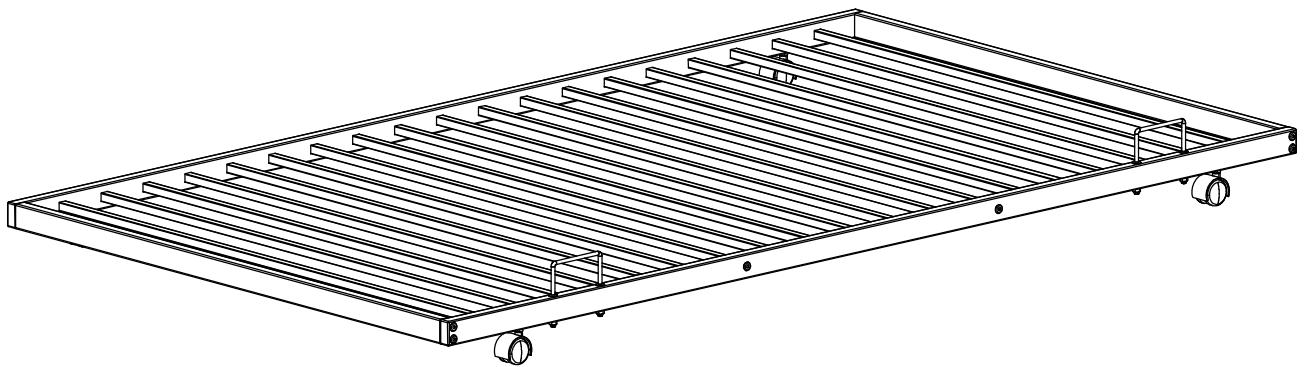
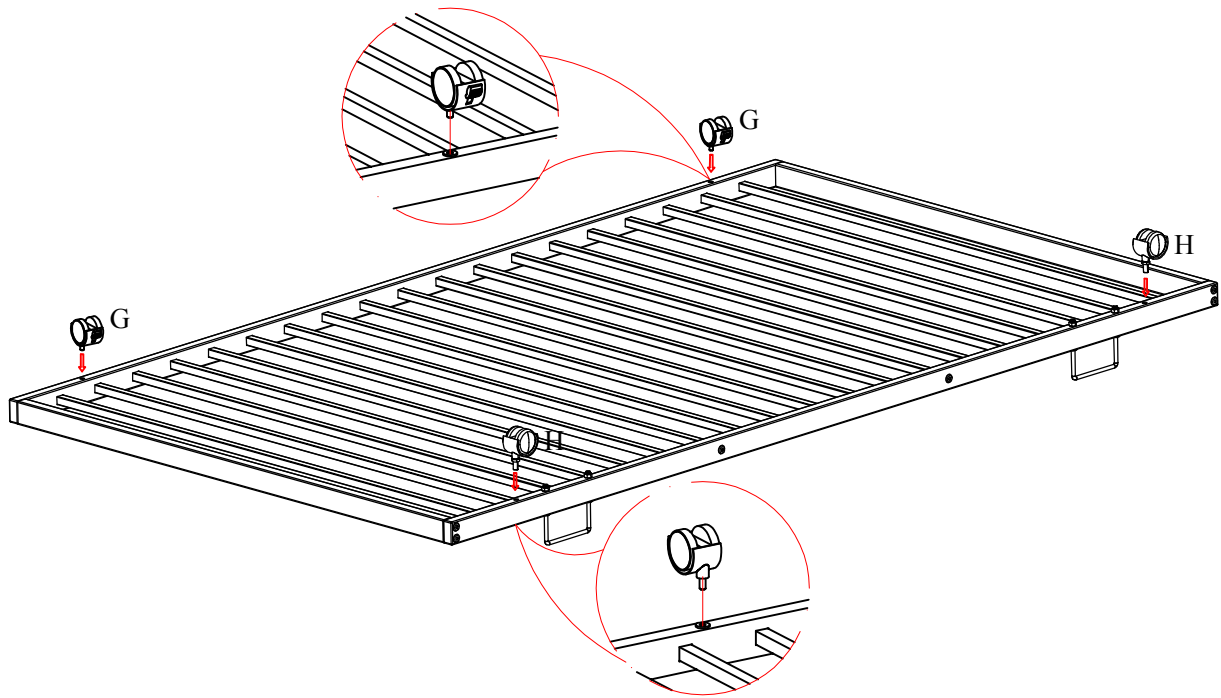



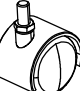
(E) 4PCS



BUNK & TRUNDLE BED  
ASSEMBLY INSTRUCTIONS  
SKU : FU448

STEP 11 :



Ⓒ	2PCS
	
Ⓗ	2PCS
	

NOTE: Tighten all step before using. Thank you.