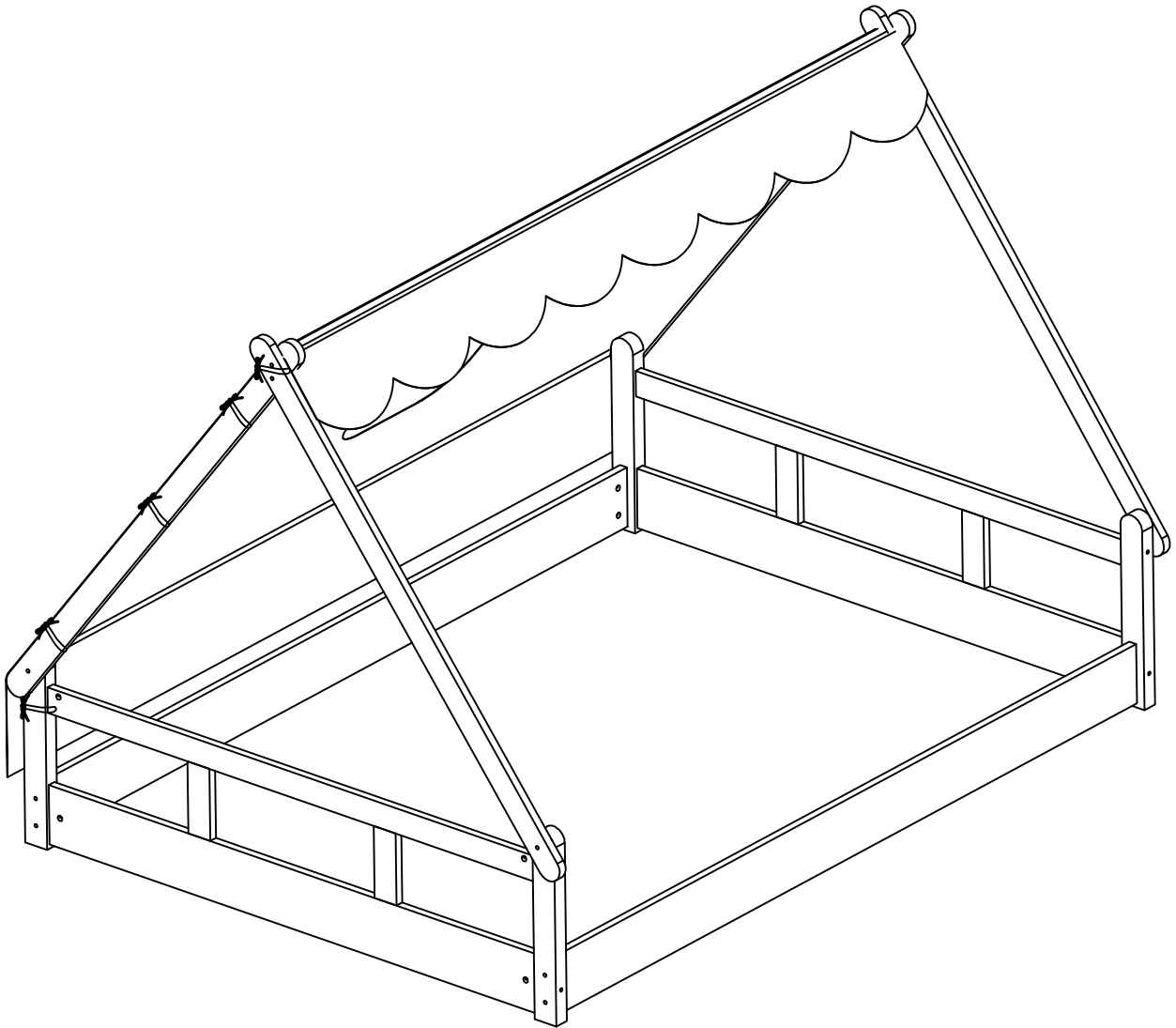
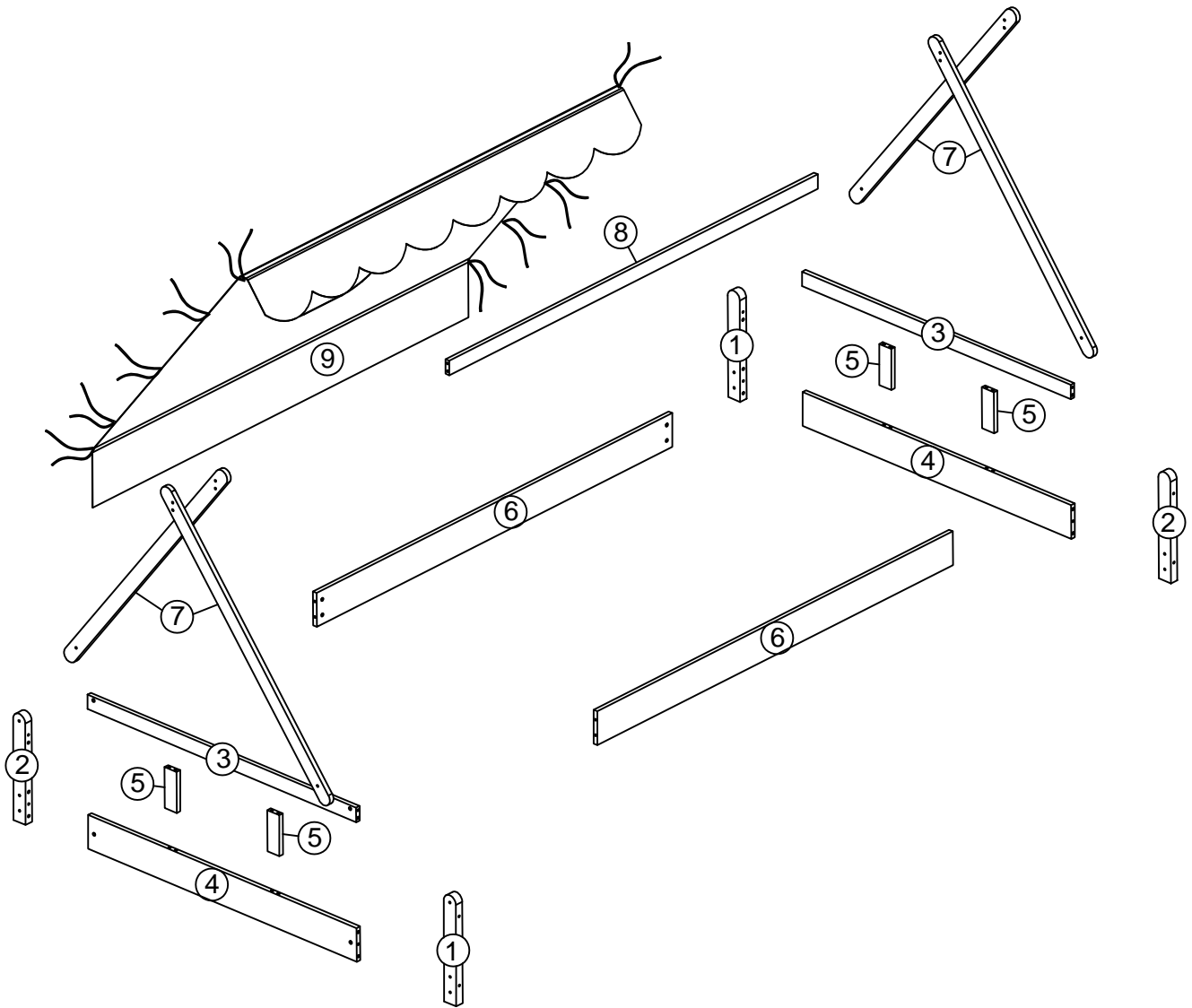


# ASSEMBLY INSTRUCTION

SKU CODE: (WF308364)



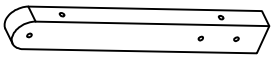
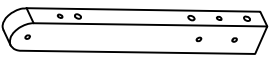
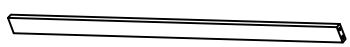



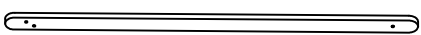
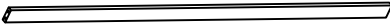
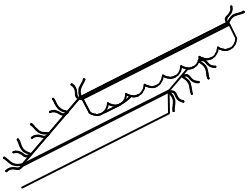
# ASSEMBLY INSTRUCTION



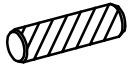




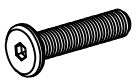
## **! SAFETY WARNINGS !**

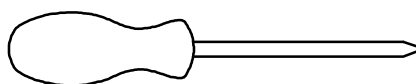
1. This bed is designed for use FULL Mattress 75 inch Long and 54 inch Wide
2. Always use the recommended size mattresses or mattress supports, or both, to help prevent the likelihood of entrapment or falls.
3. Do not allow horseplay on or under the bed and prohibit jumping on the bed
4. Do not use substitute parts. Contact the manufacturer or dealer for replacement parts.
5. Keep these instructions for future reference

# Part List (WF308364)

<p>1</p>  <p>Front left leg - 2pcs</p>	<p>2</p>  <p>Front right leg - 2pcs</p>	<p>3</p>  <p>Horizontal (upper) - 2pcs</p>
<p>4</p>  <p>Horizontal (lower) - 2pcs</p>	<p>5</p>  <p>Vertical bar-4pcs</p>	<p>6</p>  <p>Back side rail- 2pcs</p>
<p>7</p>  <p>Cap of back - 4pcs</p>	<p>8</p>  <p>Horizontal (upper) - 1pc</p>	<p>9</p>  <p>roof fabric- 1pc</p>


# Hardware List (WF308364)

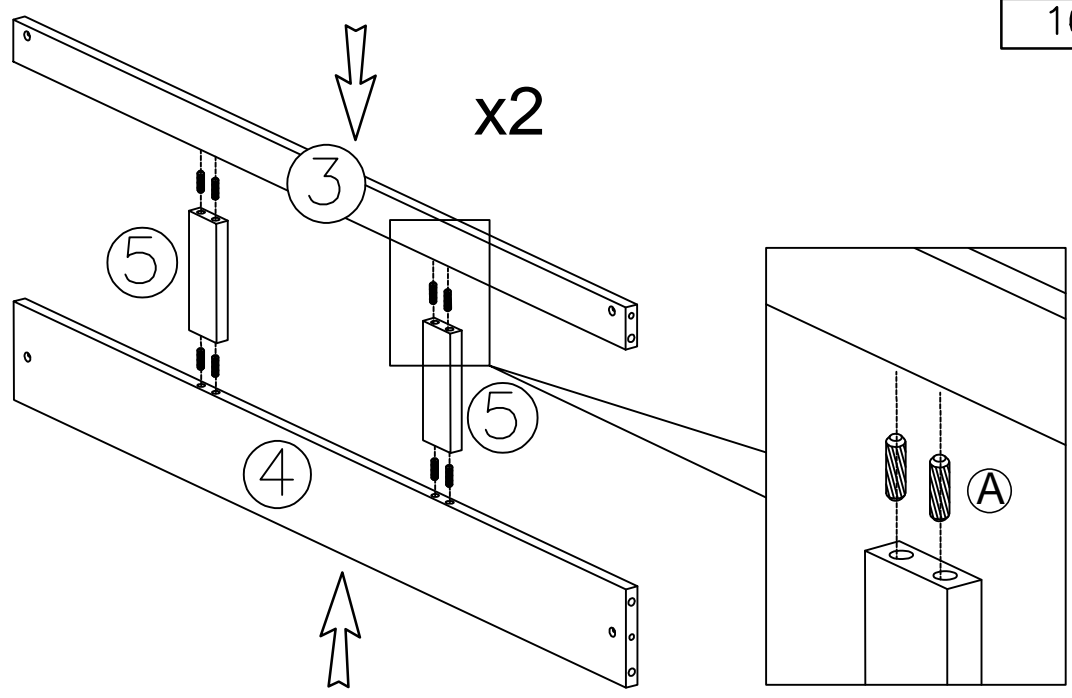
<p>A</p>  <p>Ø10 x 30 mm Wood dowel 28pcs</p>	<p>B</p>  <p>1/4" x 100mm Hex-Head bolts 8pcs</p>	<p>C</p>  <p>Ø11.5 x 15 mm Horizontal-Hole bolts 20pcs</p>
<p>D</p>  <p>1/4" x 70mm Hex-Head bolts 12pcs</p>	<p>E</p>  <p>Allen Key 1pcs</p>	<p>N</p>  <p>Ø1/4" x40 mm Hex-Head bolts 4pcs</p>






Assembly Tools Required (Not Included)

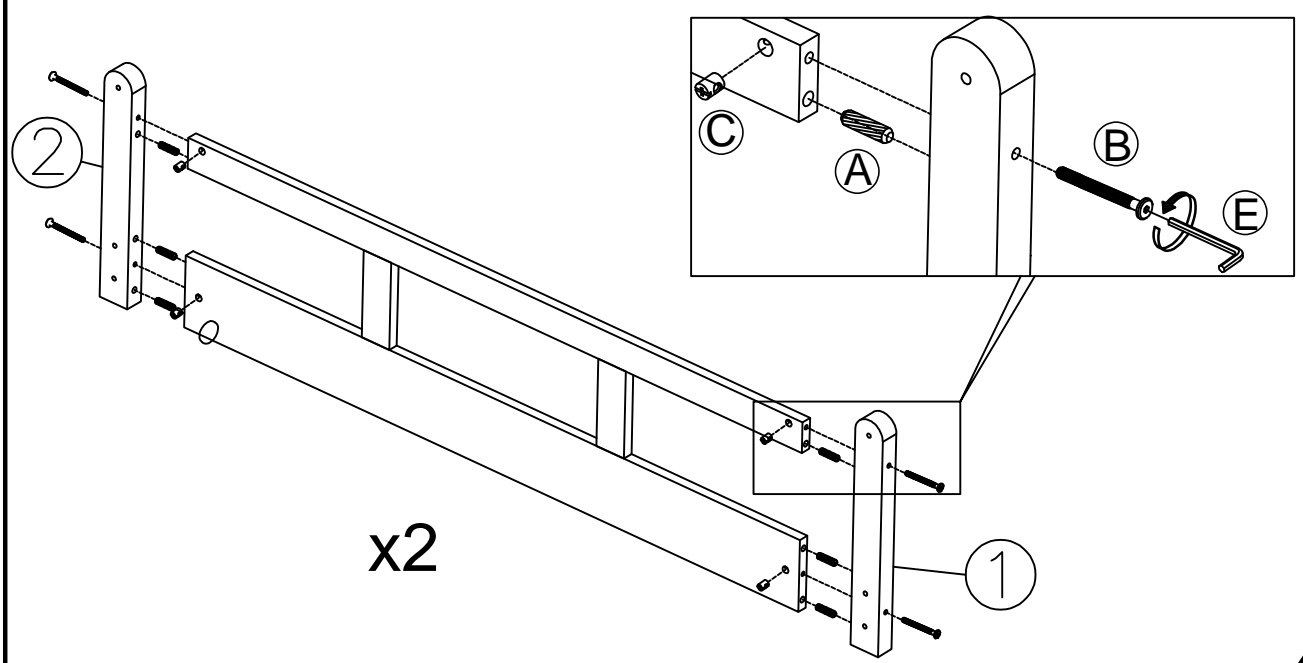
**STEP 1:** Following below illustration:

<b>A</b>	
16pcs	

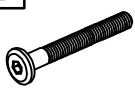



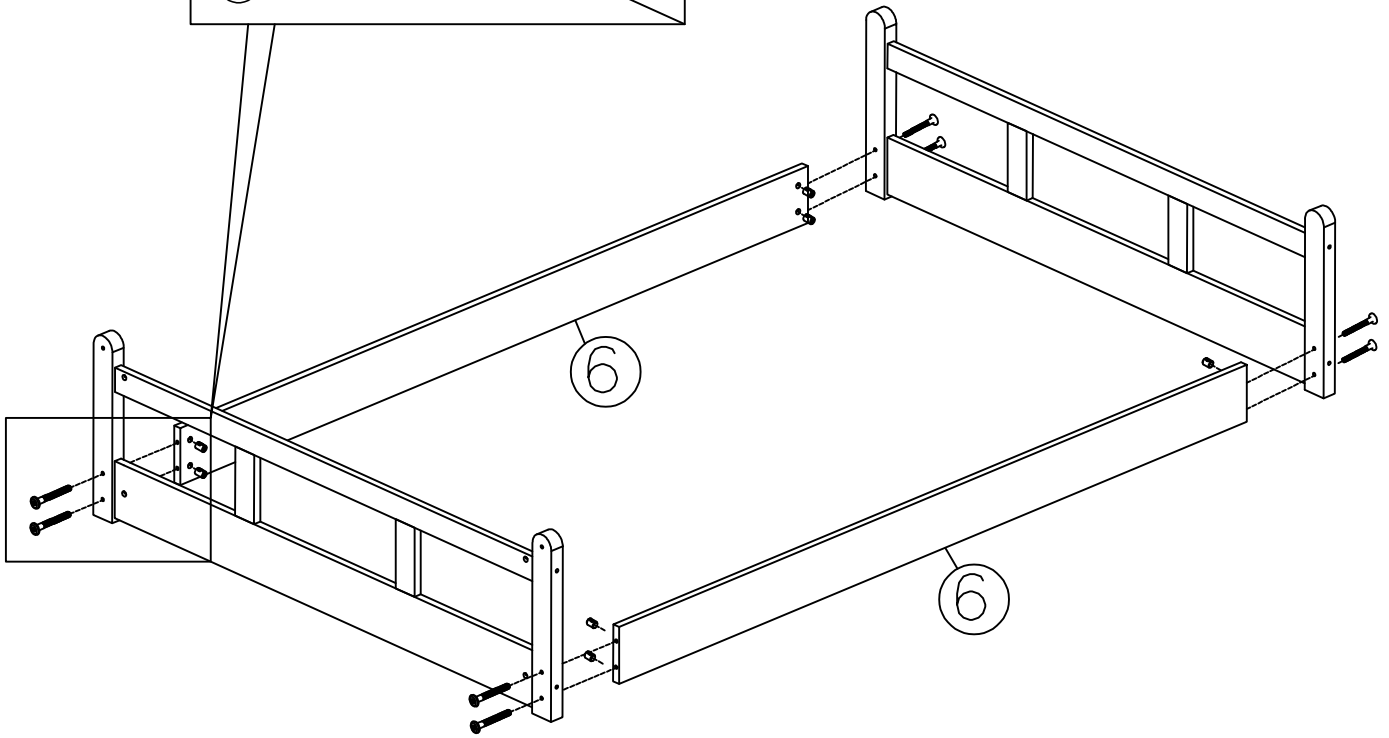
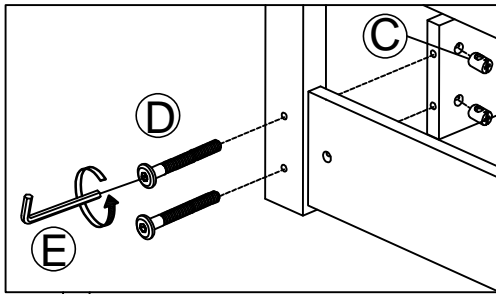
**STEP 2:** Following below illustration:

<b>A</b>	<b>B</b>	<b>C</b>
		
12pcs	8pcs	8pcs

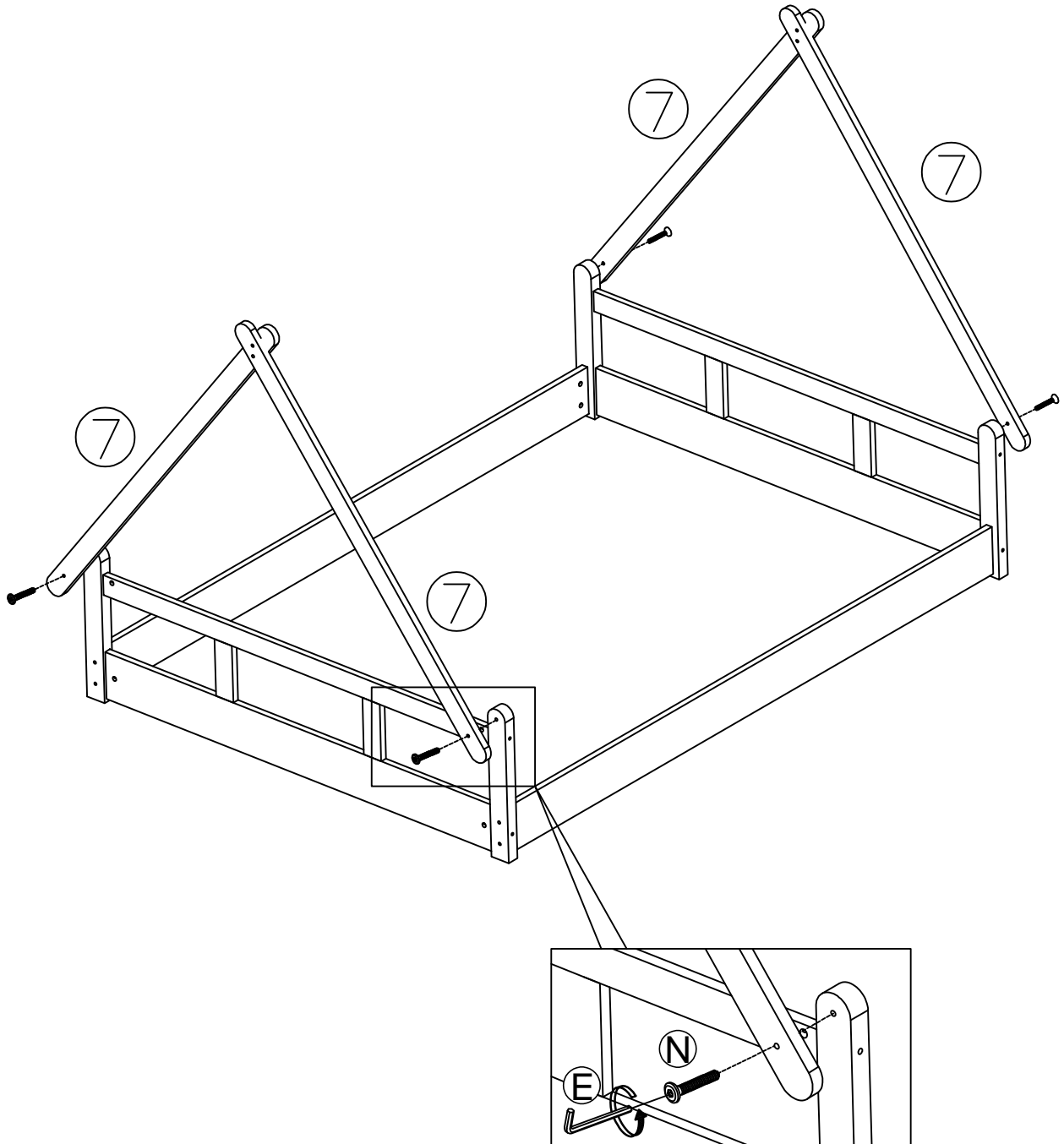
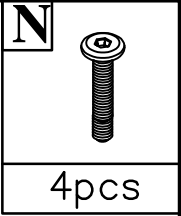


**STEP 3:** Following below illustration:

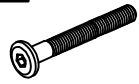

<b>D</b>		<b>C</b>	
	8pcs		8pcs

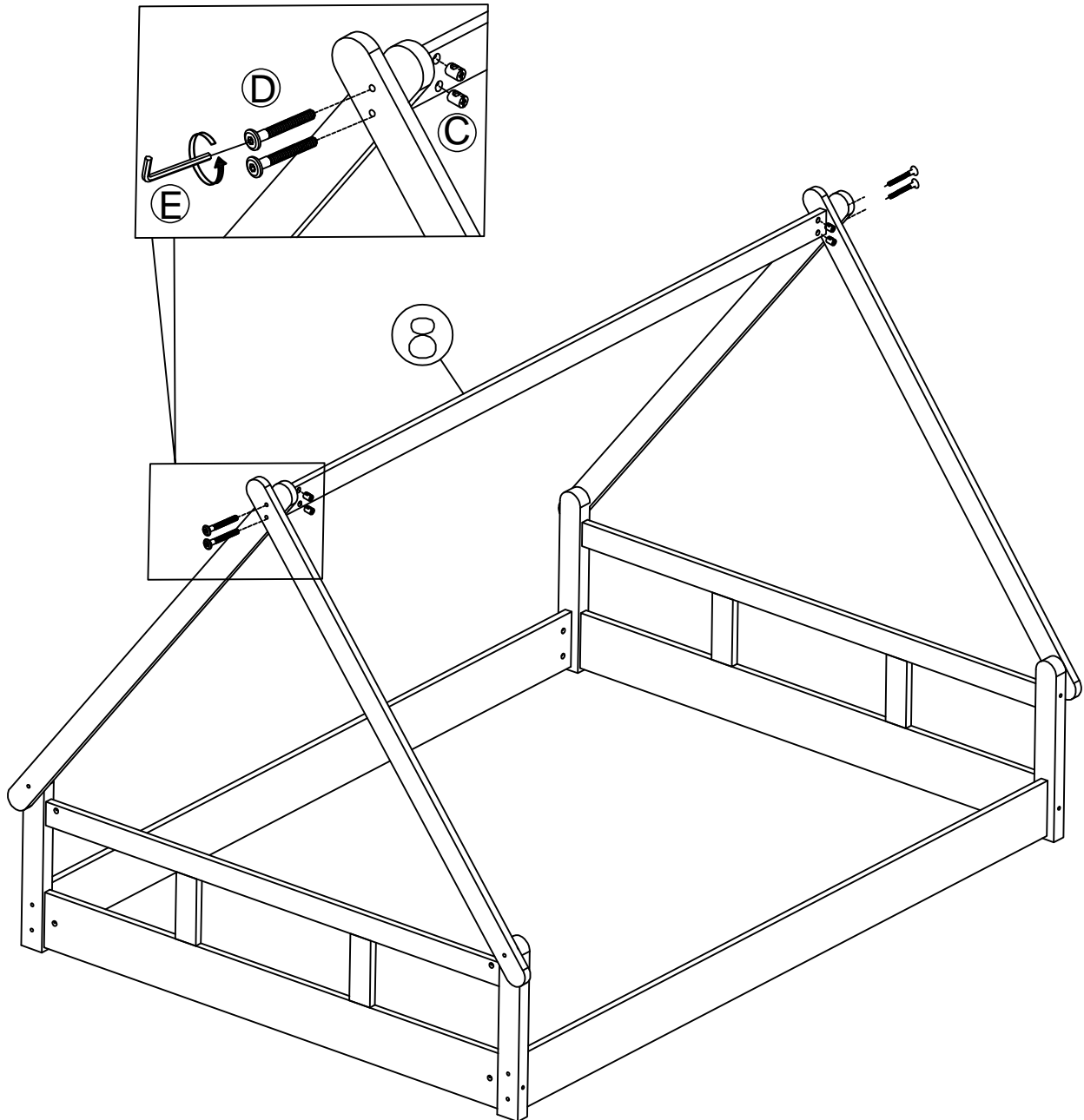


**STEP 4:** Following below illustration:

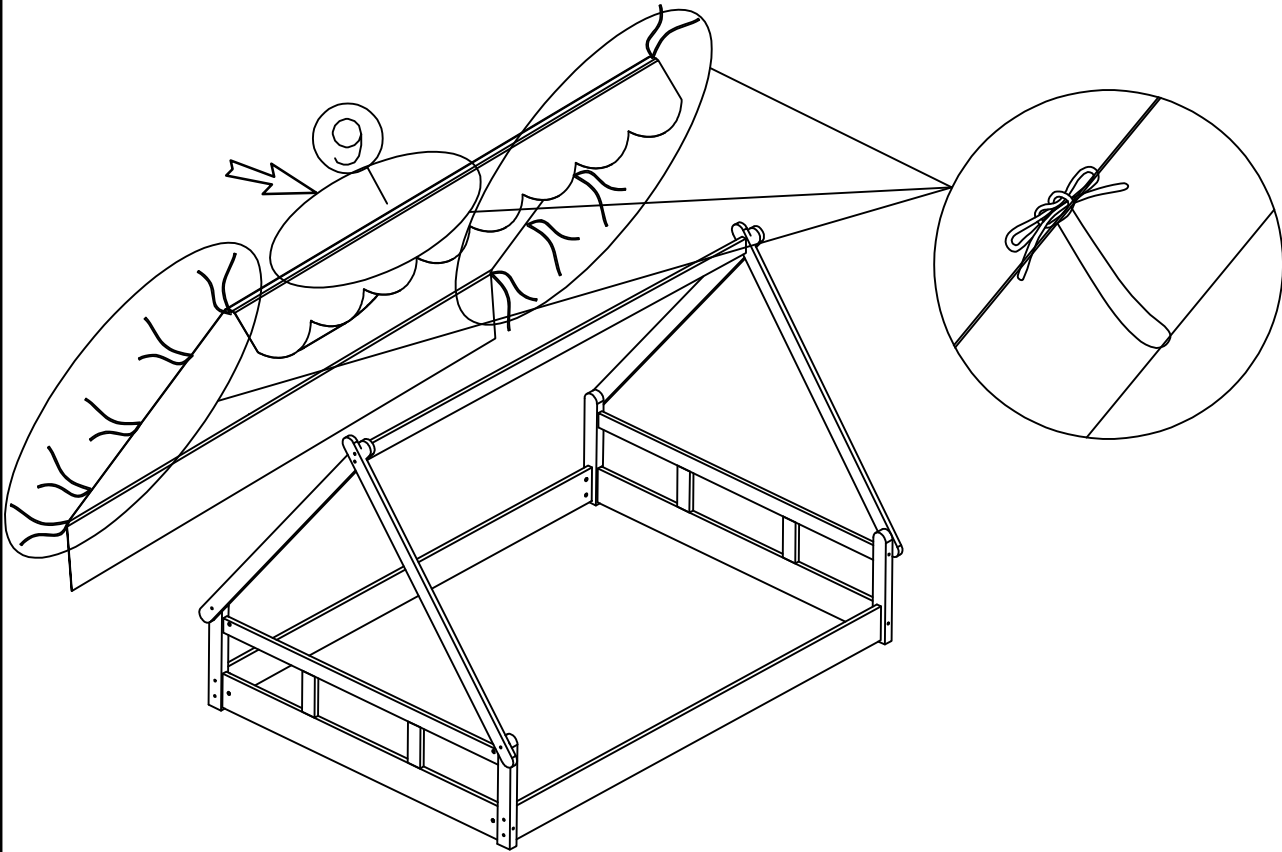


**STEP 5:** Following below illustration:

<b>D</b>	<b>C</b>
	
4pcs	4pcs



**STEP 6:** Following below illustration:



**FINISH**

