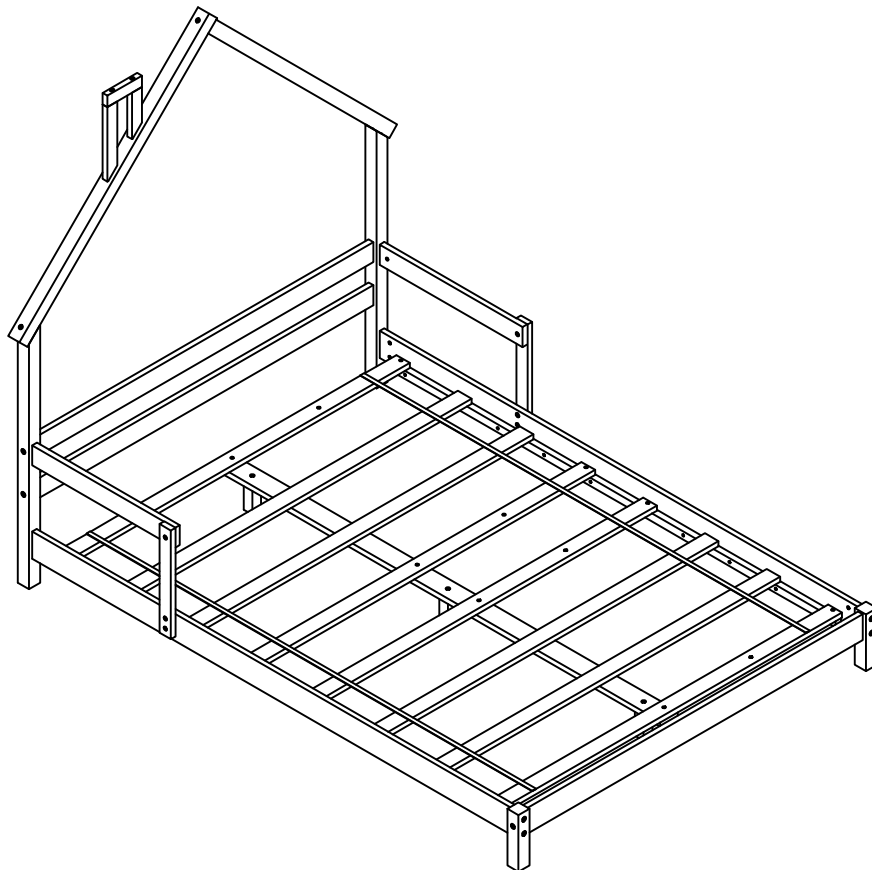


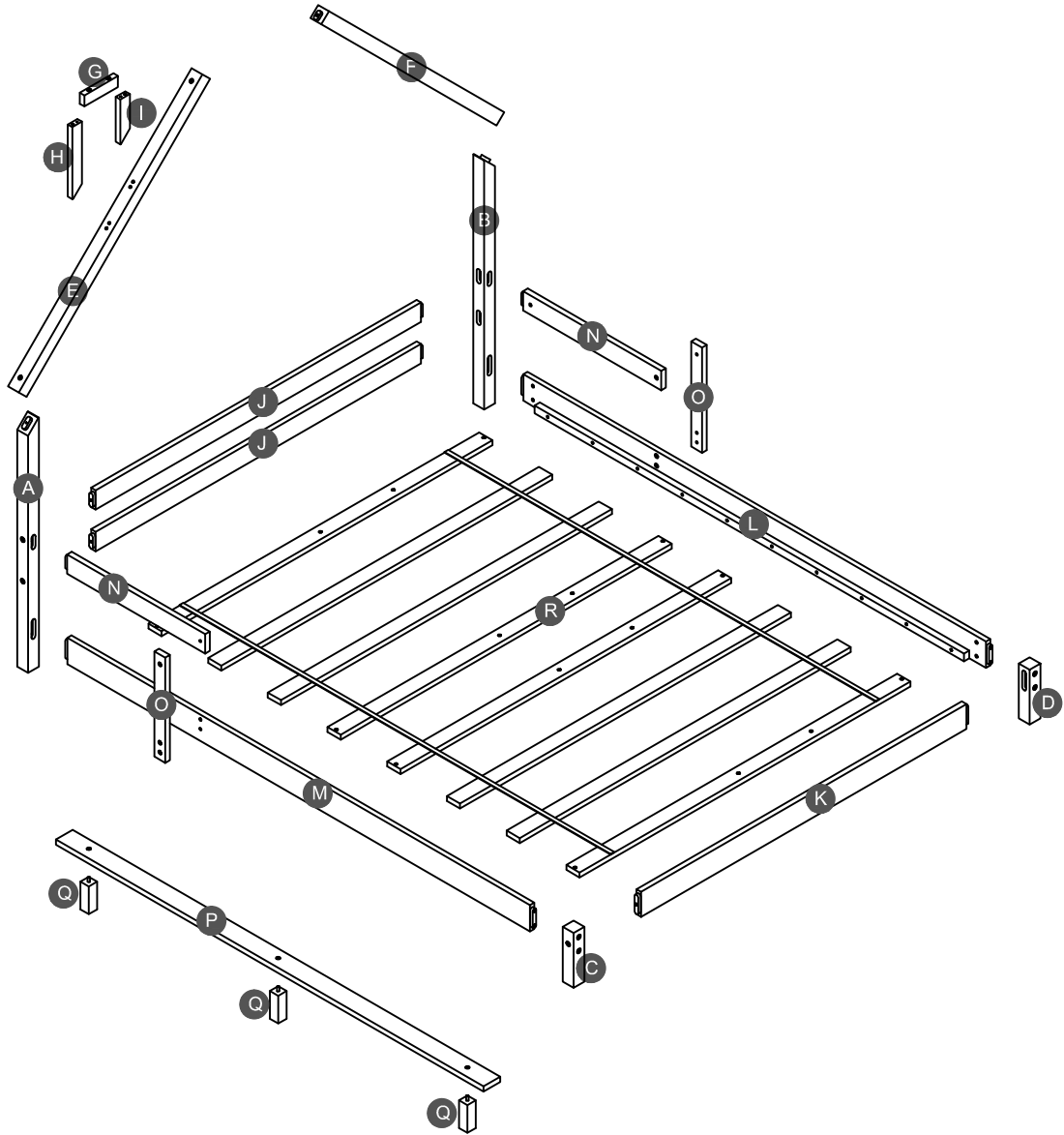
ASSEMBLY INSTRUCTIONS

FULL PLATFORM BED, HOUSE SHAPE HB


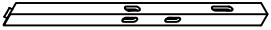
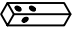


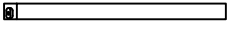
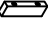
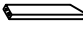
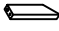
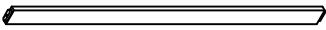
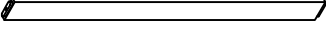
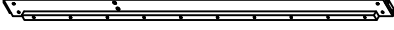
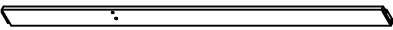
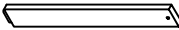
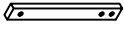


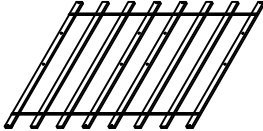


SA33786


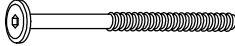
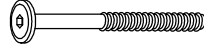





Detail View



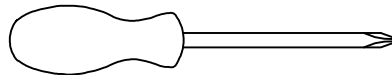
Part List

<p>A</p>  <p>Leg (Left Front) - 1pc</p>	<p>B</p>  <p>Leg (Left Back) - 1pc</p>	<p>C</p>  <p>Leg (Right Front) - 1pc</p>
<p>D</p>  <p>Leg (Right Back) - 1pc</p>	<p>E</p>  <p>Upper (Left Front) - 1pc</p>	<p>F</p>  <p>Upper (Left Back) - 1pc</p>
<p>G</p>  <p>Upper horizontal bar - 1pc</p>	<p>H</p>  <p>Upper Vertical bar (Front) - 1pc</p>	<p>I</p>  <p>Upper Vertical bar (Back) - 1pc</p>
<p>J</p>  <p>Lower horizontal bar HB- 2pcs</p>	<p>K</p>  <p>Horizontal bar FB - 1pc</p>	<p>L</p>  <p>Side rail (Back) - 1pc</p>
<p>M</p>  <p>Side rail (Front) - 1pc</p>	<p>N</p>  <p>Short guard rail - 2pcs</p>	<p>O</p>  <p>Vertical guard rail - 2pcs</p>
<p>P</p>  <p>Lower support slat - 1pc</p>	<p>Q</p>  <p>Leg support - 3pcs</p>	<p>R</p>  <p>Slat - 1Set = 8pcs</p>

Hardware List

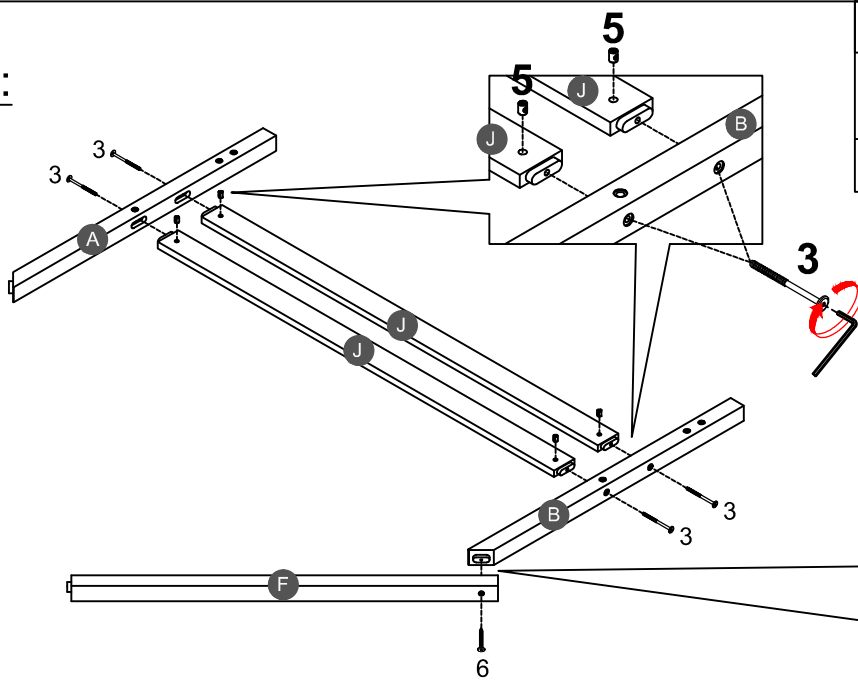
1  Ø8*30mm Wood dowel (4pcs)	2  (Ø15)1/4"*100mm Hex-Head bolts (8pcs)	3  (Ø15)1/4"*80mm Hex-Head bolts (8pcs)
4  (Ø12)1/4"*35mm Hex-Head bolts (6pcs)	5  1/4"*15 (9.5mm) Horizontal-Hole bolts(16pcs)	6  (Ø12)1/4"*65mm Hex-Head bolts (7pcs)
7  Ø4*30mm Wood screws (12pcs)	8  (1/4")4.5*58mm Allen key (1pc)	

ASSEMBLY TOOLS REQUIRED (NOT INCLUDED)

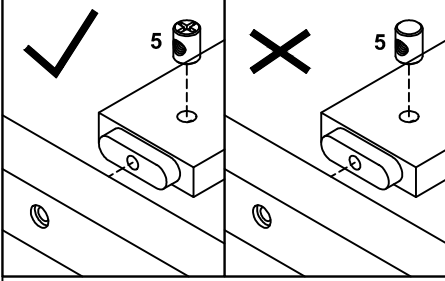


PLEASE BE CAREFUL DO NOT DAMAGE THE HOLE POSITION WHEN YOU USE POWER TOOLS !

STEP 1:

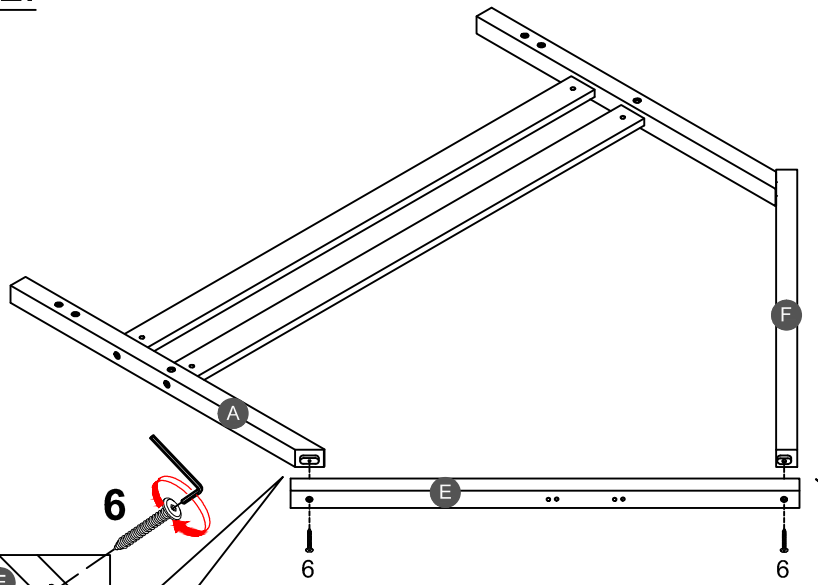


3		5	
4PCS		4PCS	
6			
1PC			

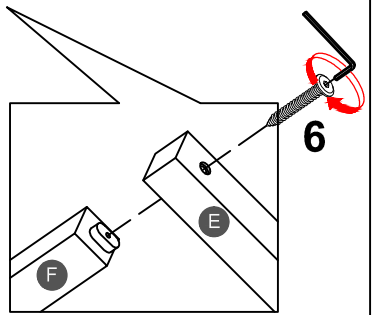
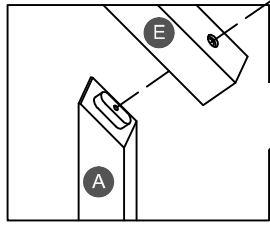


Note: Part 5 will face up with the "x" mark on it, otherwise it cannot be tightened



STEP 2:

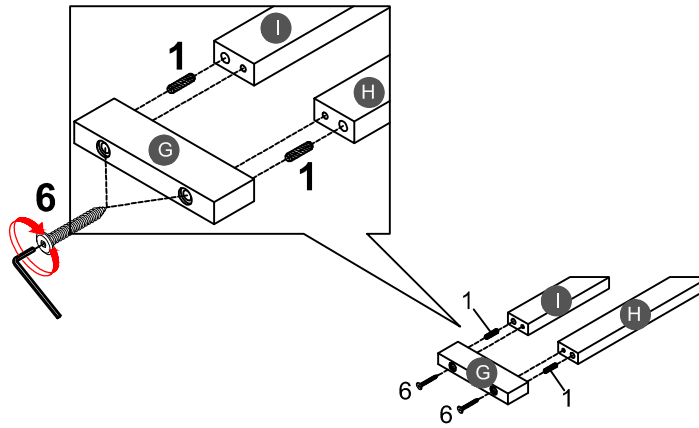


6	
2PCS	





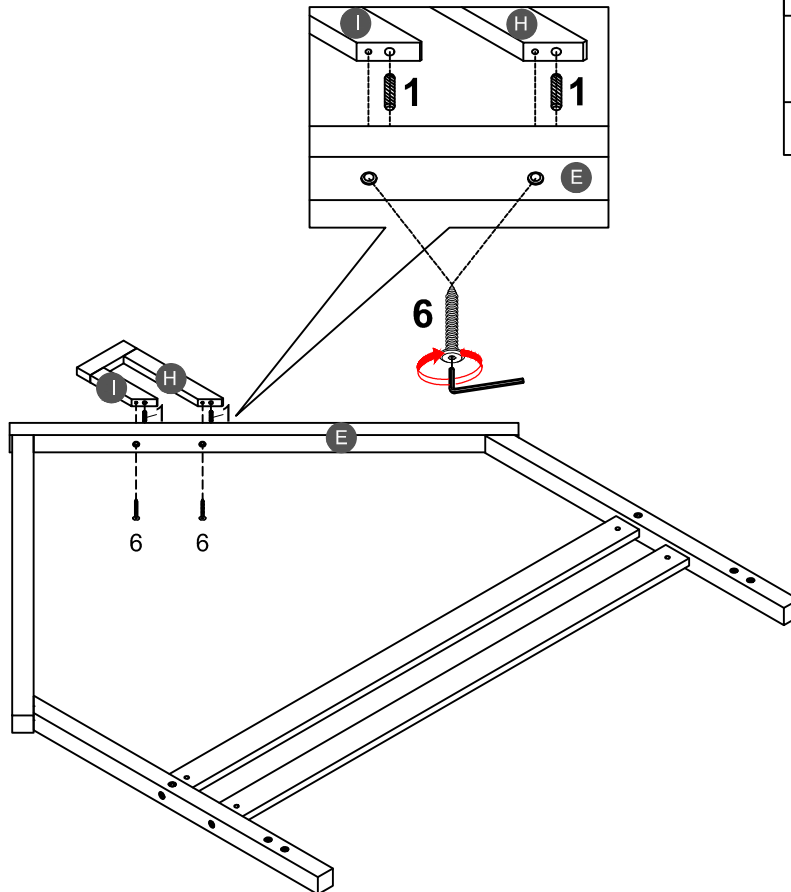
STEP 3:

1		6	
2PCS		2PCS	





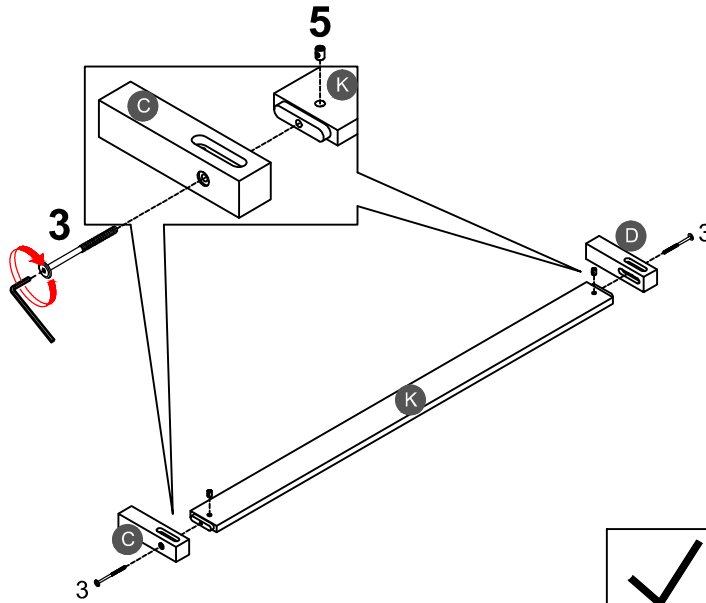
STEP 4:

1		6	
2PCS		2PCS	

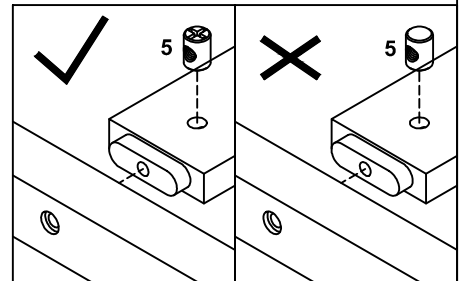


STEP 5:




3		5	
2PCS		2PCS	

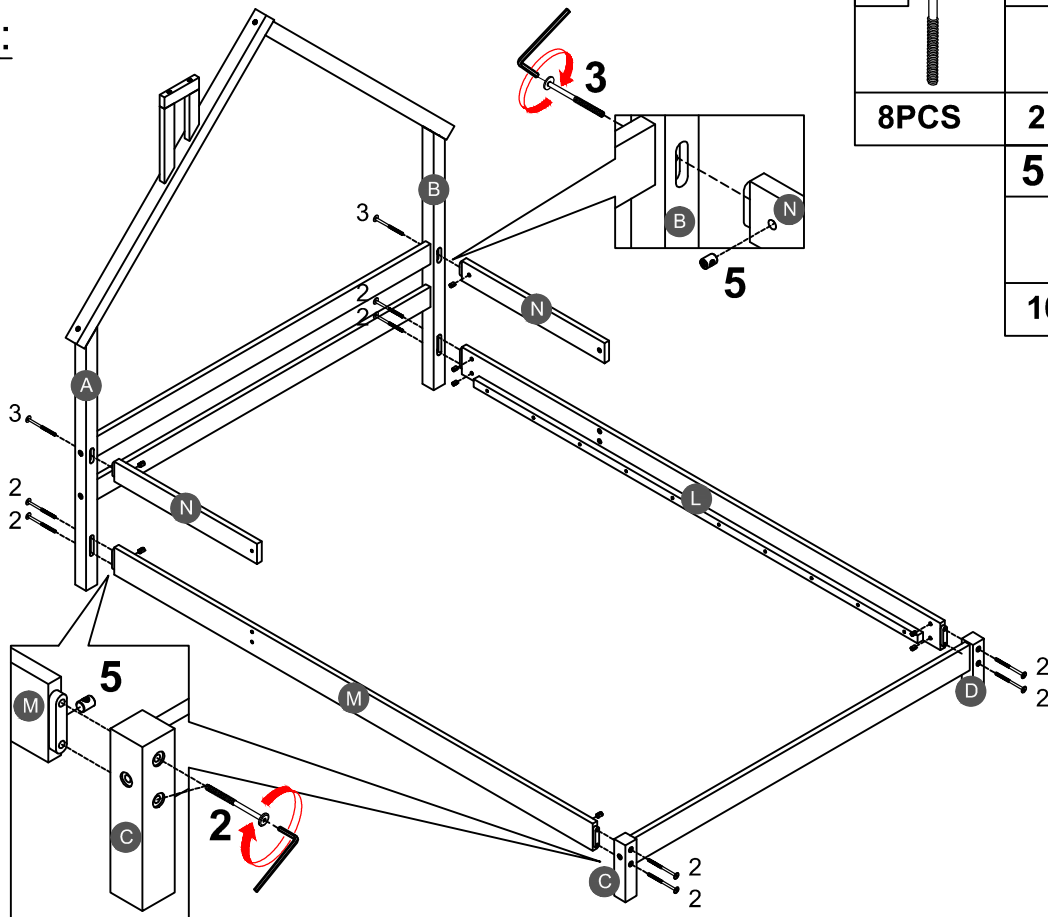


Note: Part 5 will face up with the "x" mark on it, otherwise it cannot be tightened



STEP 6:

2		3	
8PCS		2PCS	
		5	
		10PCS	

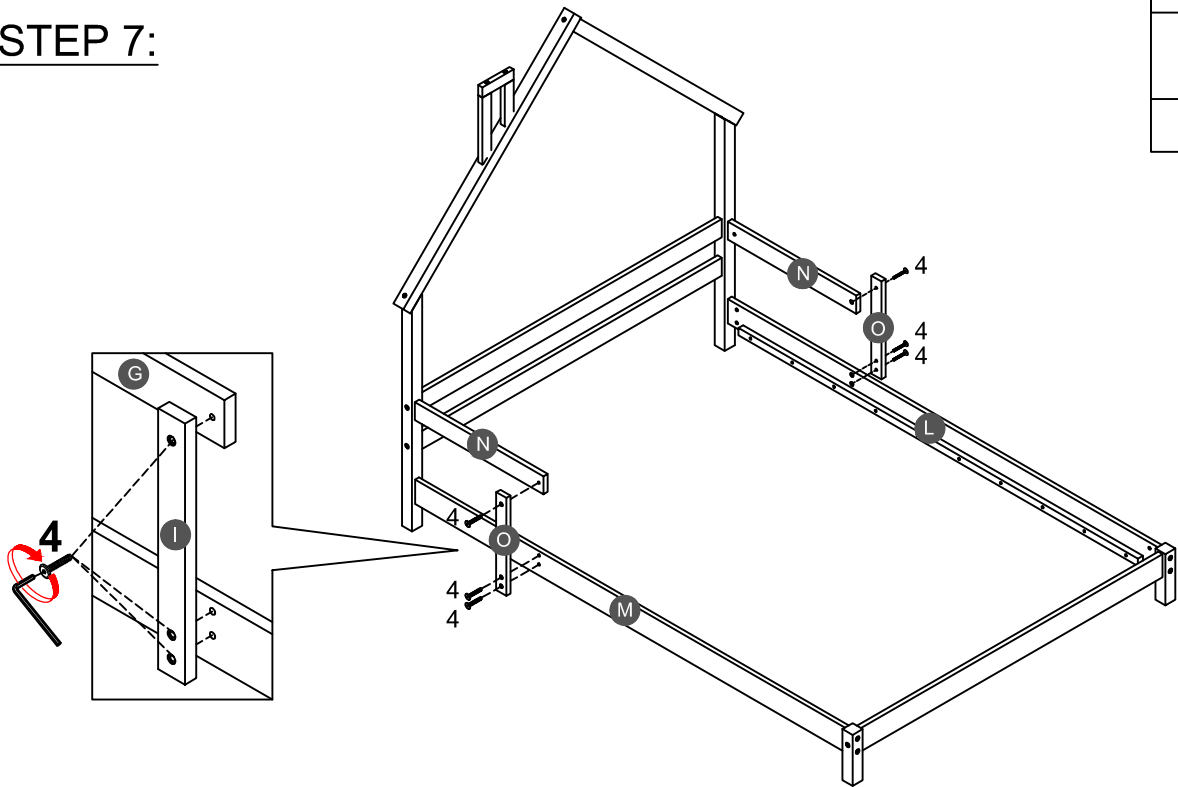


STEP 7:

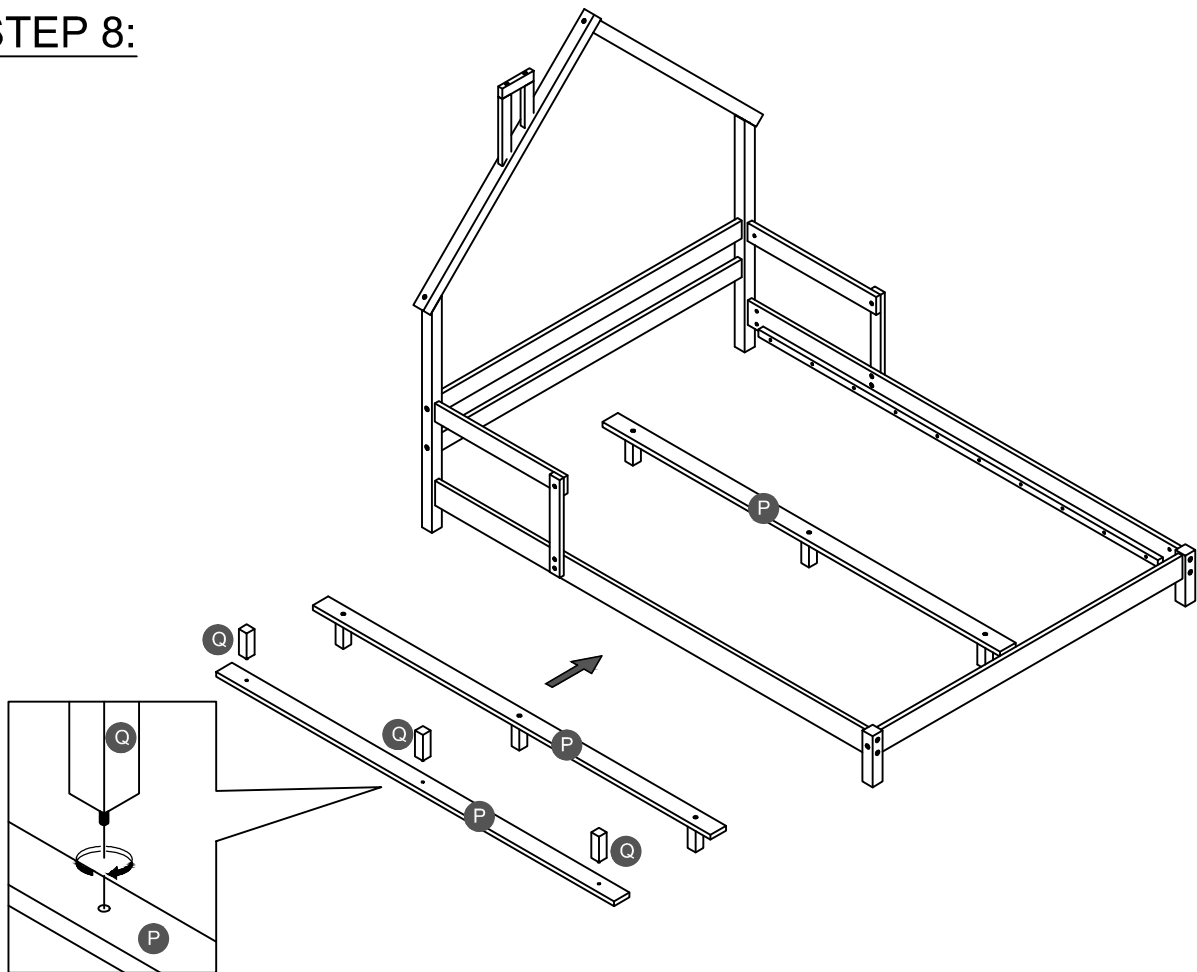
4



6PCS



STEP 8:



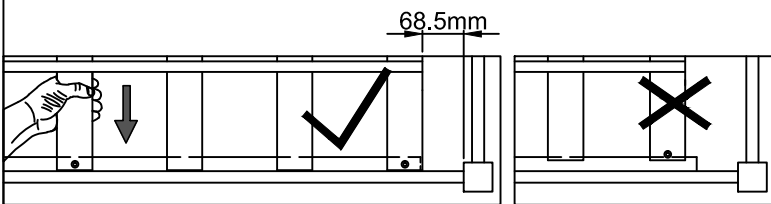
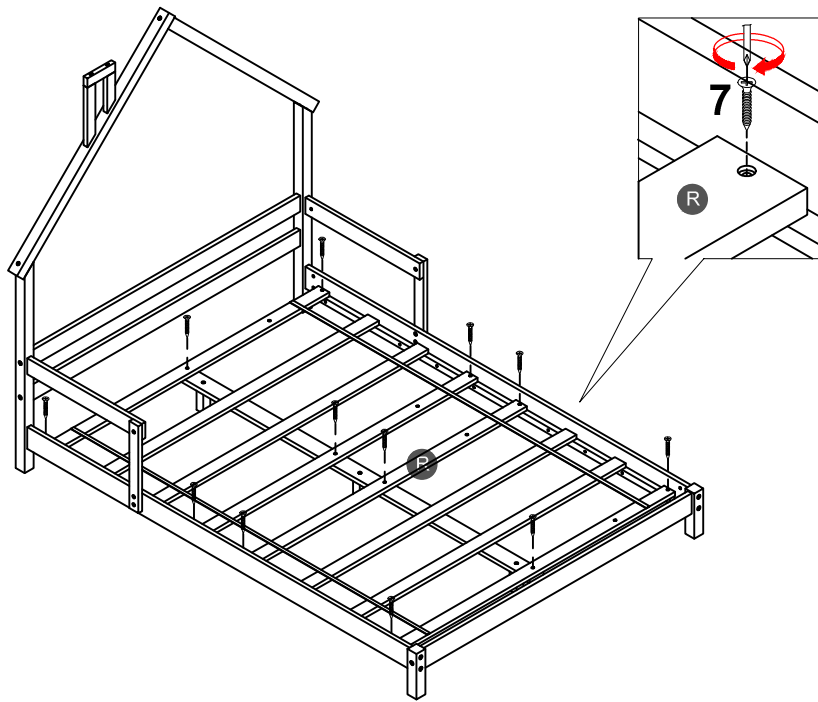
Assembling leg support (P) with lower support slat (P) later rotate, Move support slat inside Full Platform bed.

STEP 9:

7



12PCS



Note: Do not lock the screws of the bed slats to the outermost edge of the bed slats, you need to leave a certain space at the edges, otherwise it will cause the board to break. Do not lock the bed slats on the edge of the wood, please hold firmly before screwing , hold it in place with one hand, then lock the screw.

