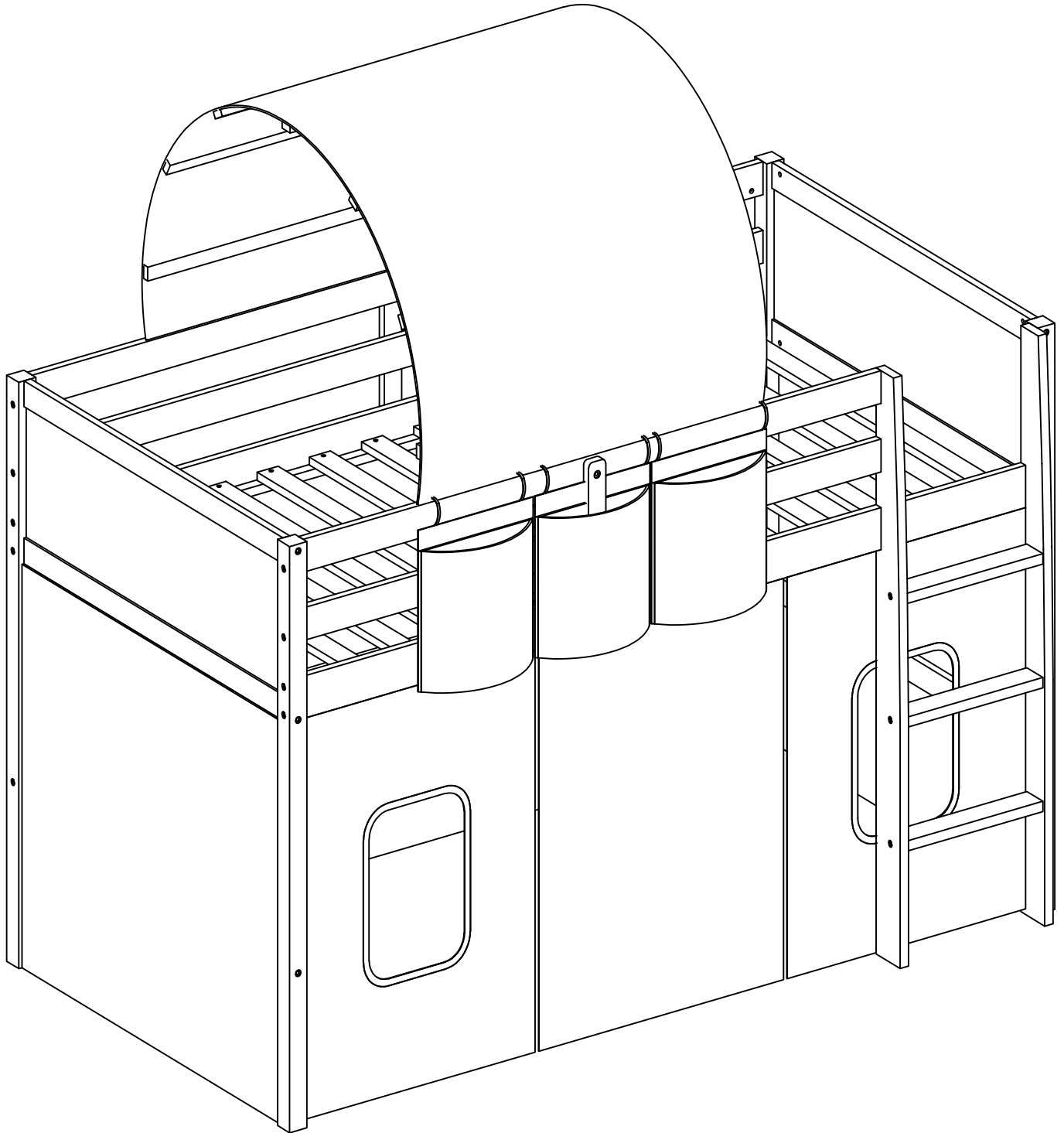


# ASSEMBLY INSTRUCTION

**SKU CODE: WF312892**





# **SAFETY WARNINGS**



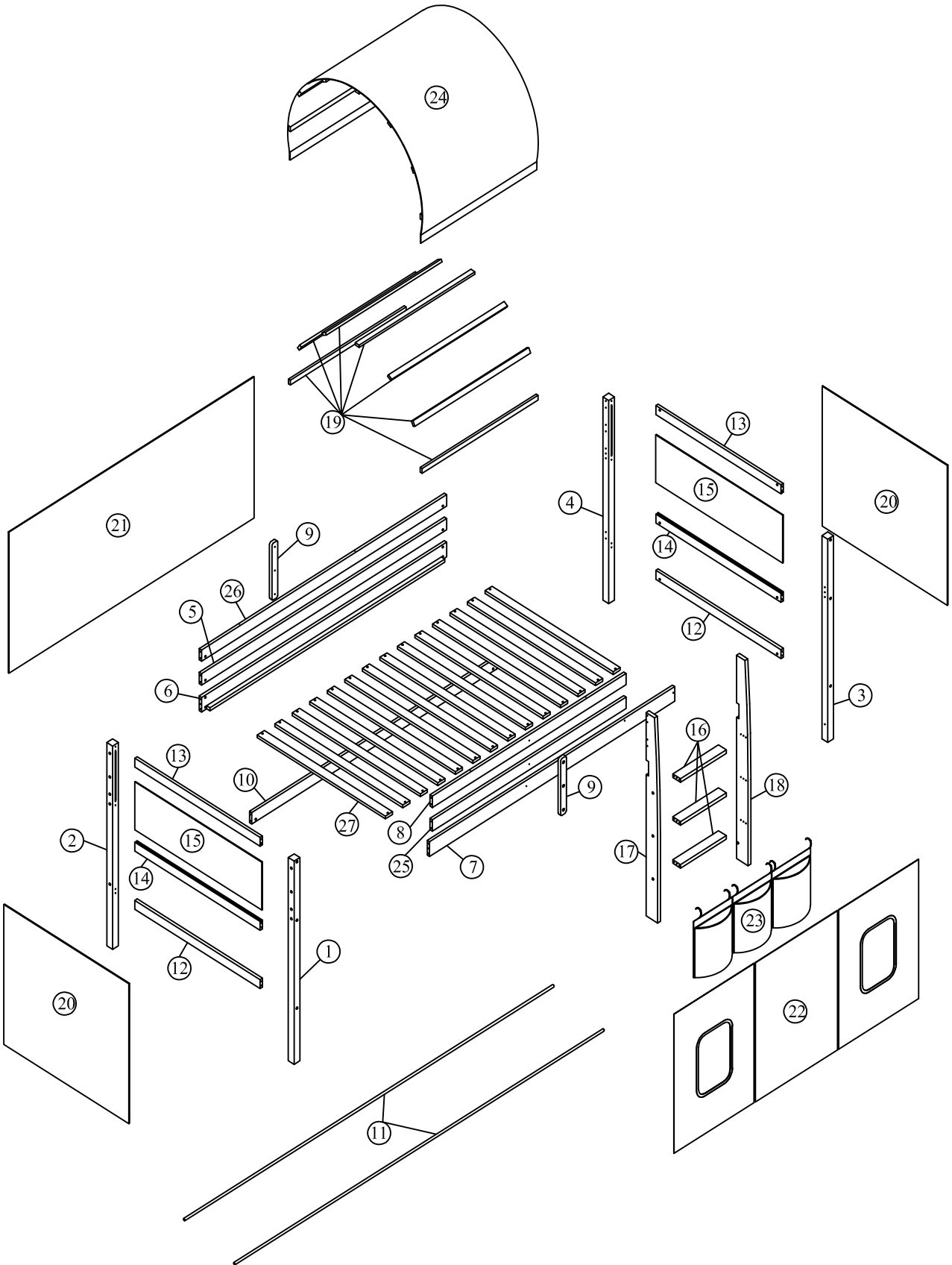
1. This bed is designed for use only mattress(es) meeting the following specifications on the upper bunk:  
*Upper bunk* (bunk bed and tribed included)

## ***Upper bed***

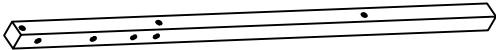
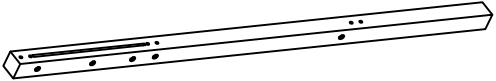

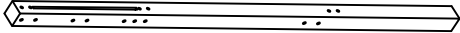
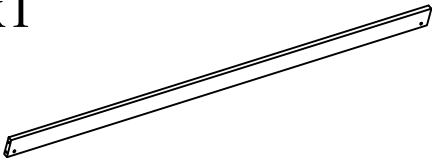
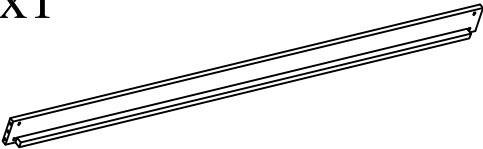
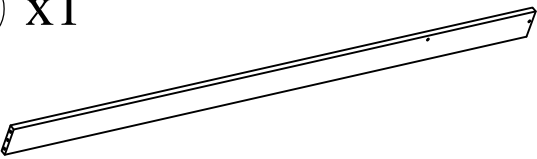
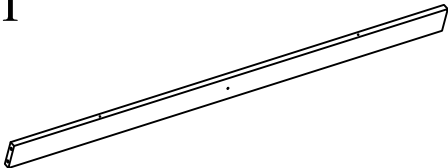
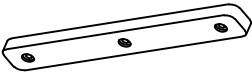


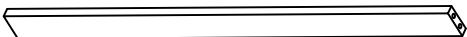


<b><i>Bed Type</i></b>	<b><i>Length</i></b>	<b><i>Width</i></b>	<b><i>Thickness</i></b>
<b><i>Twin Standard</i></b>	<b><i>74"-75"</i></b>	<b><i>38 1/2"</i></b>	<b><i>6" max</i></b>

2. Replacement parts, including additional guardrails, maybe obtained from any of our (GIGACLOUDTECHNOLOGY (USA) INC. 18961 ARENTH AVENUE CITY OF INDUSTRY, CA, 91748) dealers.
3. Follow the information on the warnings appearing on the upper bunk bed end structure and on the carton. Do not remove warning label from bed.
4. Always use the recommended size mattresses or mattress supports, or both, to help prevent the likelihood of entrapment or falls.
5. Surface of the mattress must be at least 5". (127 mm) below the upper edge of guardrails.
6. Do not allow children under 6 years of age to use the upper bunk.
7. Periodically check and ensure that the guardrail, ladder, and other components are in their proper position, free from damage, and that all connectors are tight.
8. Do not allow horseplay on or under the bed and prohibit jumping on the bed
9. Always use the ladder for entering and leaving the upper bunk.
10. Do not use substitute parts. Contact the manufacturer or dealer for replacement parts.
11. Use of a night light may provided added safety precaution for a child using the upper bunk.
12. Always use guardrails on both long sides of the upper bunk. If the bunk bed will be placed next to the wall, the guardrail that runs the full length of the bed should be placed against the wall to prevent entrapment between the bed and wall.
13. The use of water or sleep flotation mattresses is prohibited.
14. STRANGULATION HAZARD - Never attach or hang items to any part of the bunk bed that are not designed for use with the bed; for example, but not limited to, hook, belts and jump ropes.
15. Keep these instructions for future reference
16. Prohibit more than one person on upper bunk.
17. We recommend assembling your bunk bed on the shipping carton to protect your floor or carpet.
18. Be certain all staples are out of the box before beginning assembly on the shipping carton.


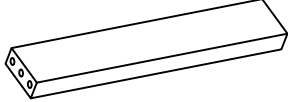
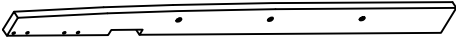
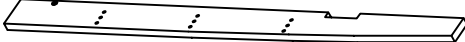
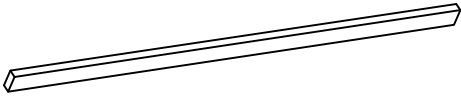
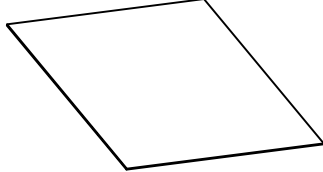
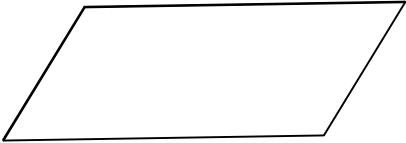
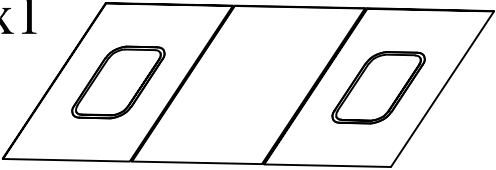
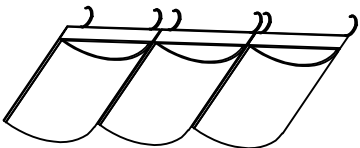
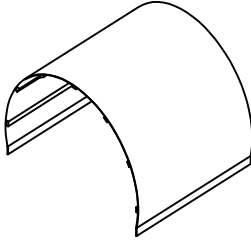
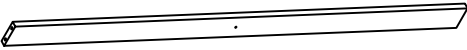

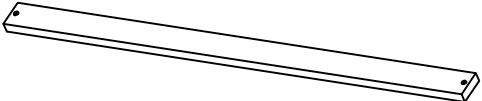
Detail:



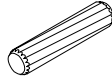
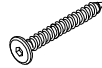


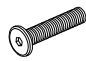

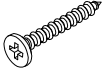

## Part List ( WF312892 )

<p>① x1</p>  <p><b>Front (Left) Leg</b></p>	<p>② x1</p>  <p><b>Back (Left) Leg</b></p>
<p>③ x1</p>  <p><b>Front (Right) Leg</b></p>	<p>④ x1</p>  <p><b>Back (Right) Leg</b></p>
<p>⑤ x1</p>  <p><b>Side Rail Guards</b></p>	<p>⑥ x1</p>  <p><b>Side Rail</b></p>
<p>⑦ x1</p>  <p><b>Side Rail</b></p>	<p>⑧ x1</p>  <p><b>Side Rail Guards</b></p>
<p>⑨ x2</p>  <p><b>Side Rail Support</b></p>	<p>⑩ x1</p>  <p><b>Side Rail Guards</b></p>
<p>⑪ x2</p>  <p><b>Metal</b></p>	<p>⑫ x2</p>  <p><b>Side Rail Guards</b></p>
<p>⑬ x2</p>  <p><b>Side Rail Guards</b></p>	<p>⑭ x2</p>  <p><b>Side Rail Guards</b></p>

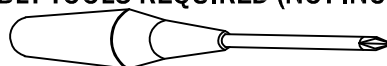
# Part List ( WF312892 )

<p>①5 x2</p>  <p>Panel</p>	<p>①6 x3</p>  <p>Ladder Posts</p>
<p>①7 x1</p>  <p>Left Leg Ladder</p>	<p>①8 x1</p>  <p>Right Leg Ladder</p>
<p>①9 x7</p>  <p>Decorate</p>	<p>②0 x2</p>  <p>Farbic</p>
<p>②1 x1</p>  <p>Farbic</p>	<p>②2 x1</p>  <p>Farbic</p>
<p>②3 x1</p>  <p>Farbic</p>	<p>②4 x1</p>  <p>Farbic</p>
<p>②5 x1</p>  <p>Side Rail Guards</p>	<p>②6 x1</p>  <p>Side Rail Guards</p>
<p>②7 x14</p>  <p>Slats</p>	


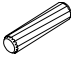


## Hardware List ( WF312892 )

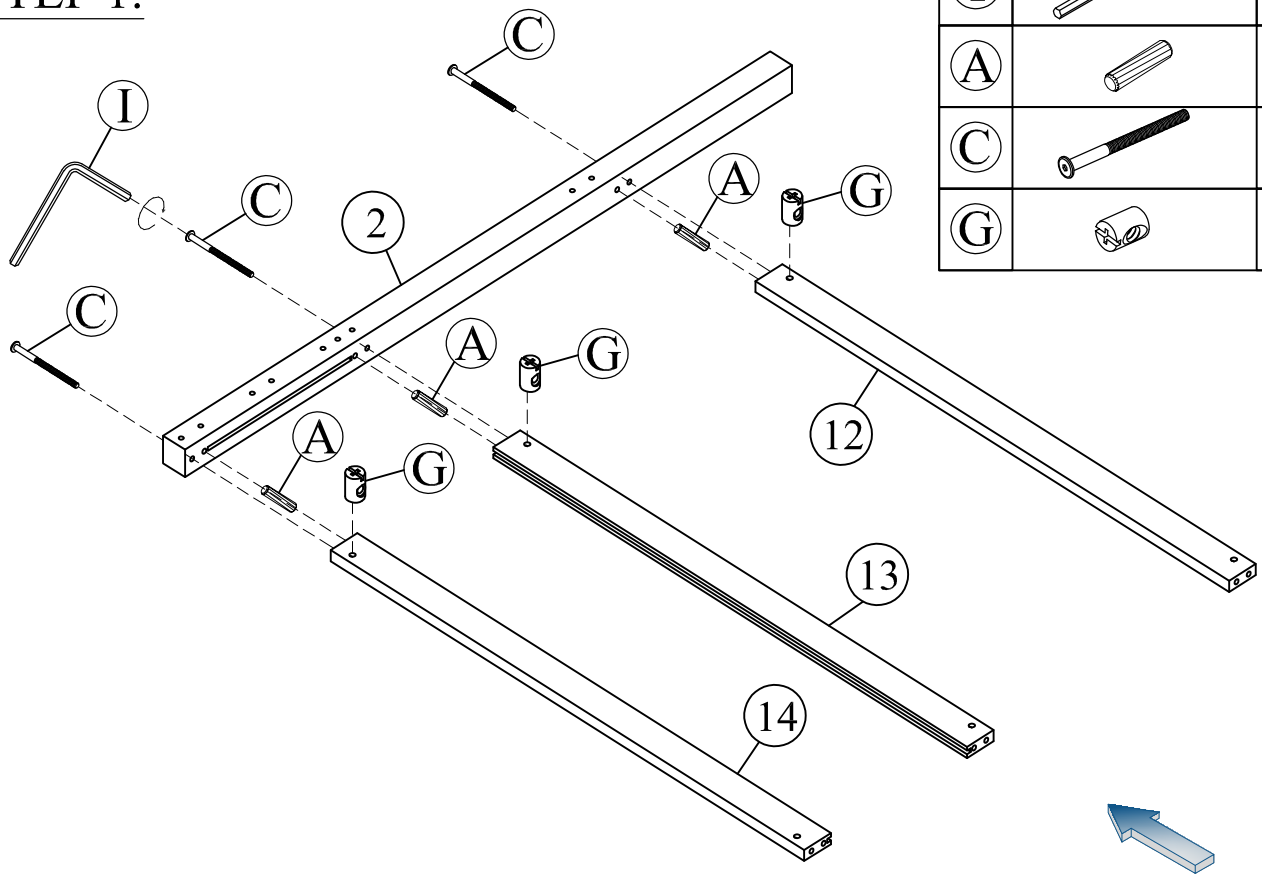
No.	OUTLOOK	DESC	QTY
A		Dowel Ø8*30mm	38pcs
B		Screws M6*30mm	6pcs
C		Bolts M6*90mm	28pcs
D		Bolts M6*70mm	8pcs
F		Bolts M6*35mm	4pcs
G		Cross dowel M6*13mm	36pcs
H		Round head screw #8*25mm	28pcs
I		Allen key 60*22*4mm	1pc

**ASSEMBLY TOOLS REQUIRED (NOT INCLUDED)**

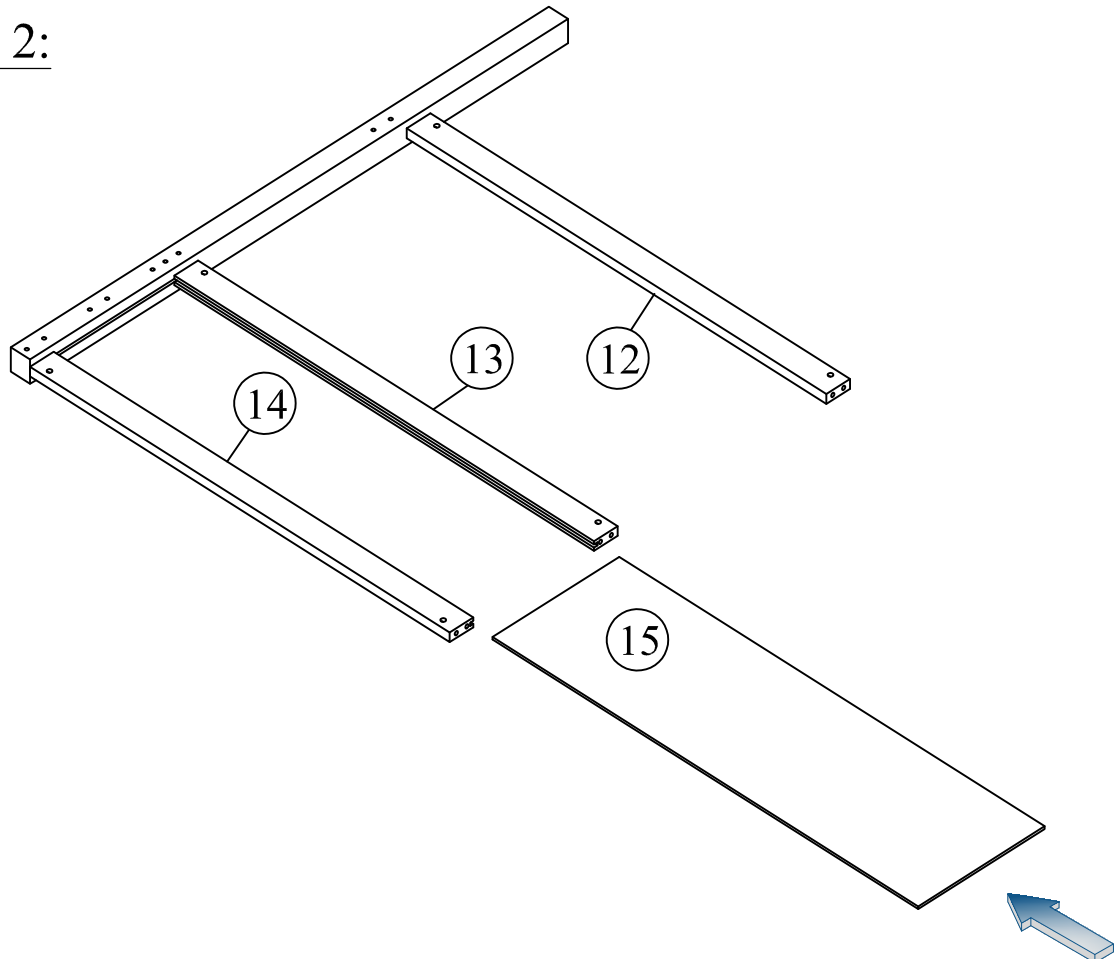


**STEP 1:**

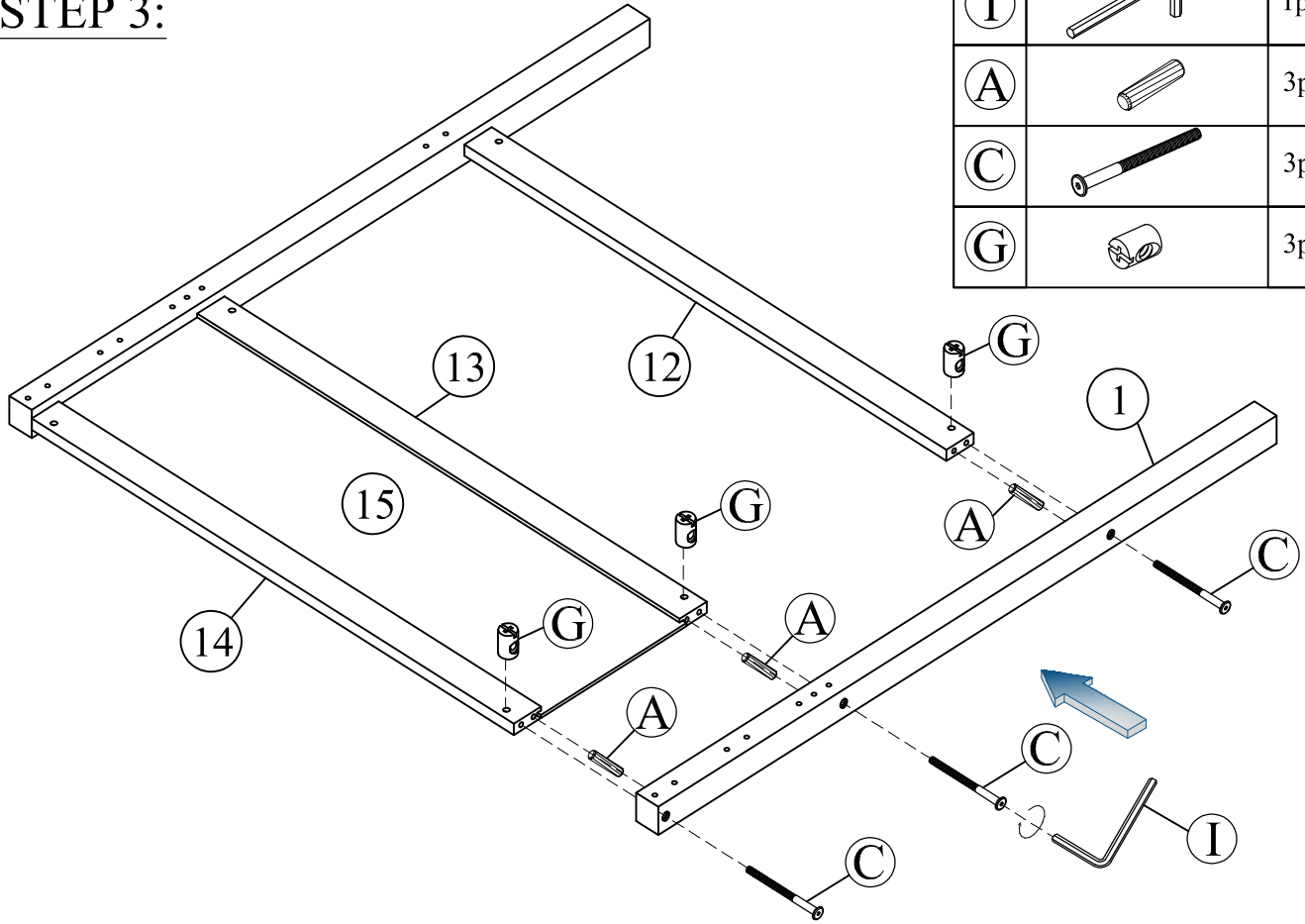
I		1pc
A		3pcs
C		3pcs
G		3pcs



**STEP 2:**

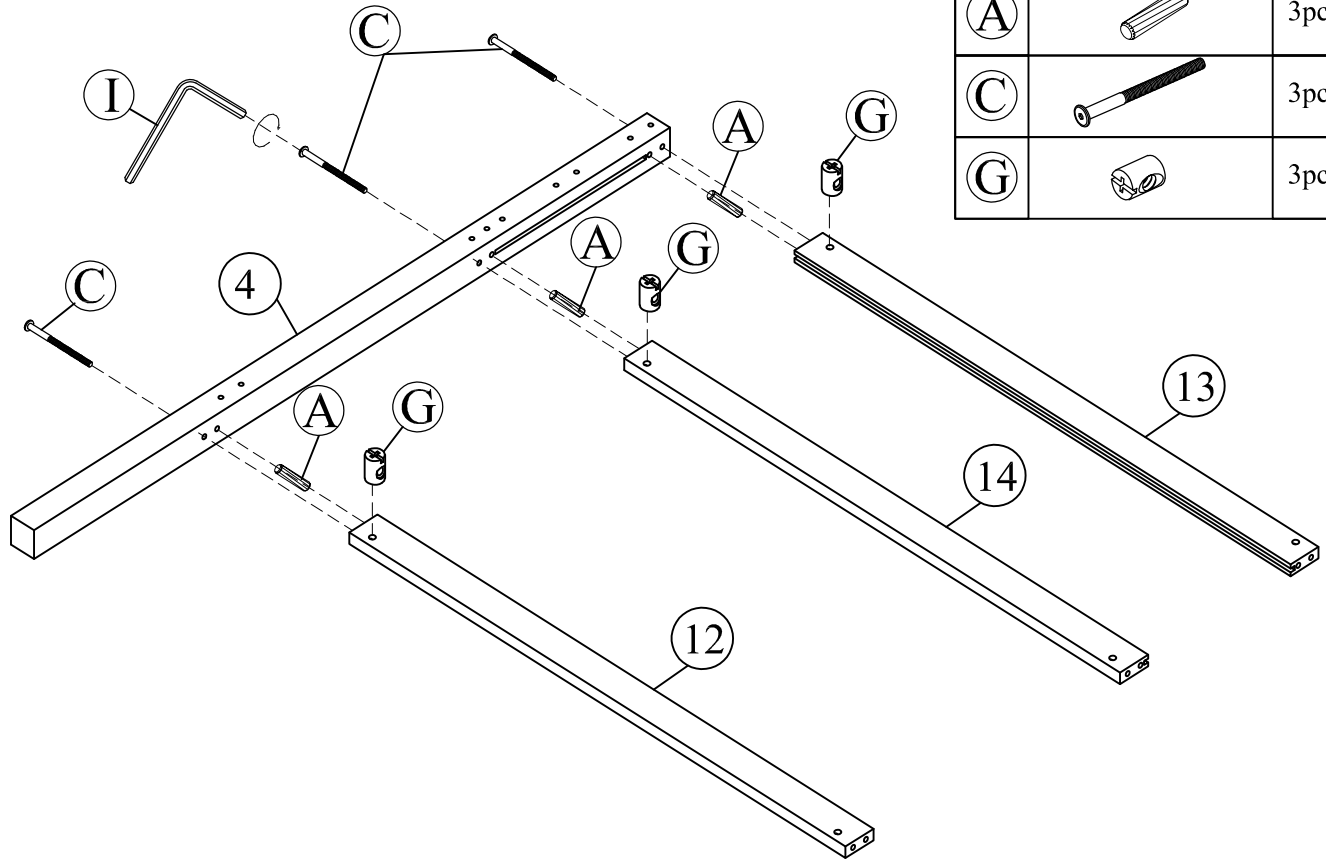


**STEP 3:**



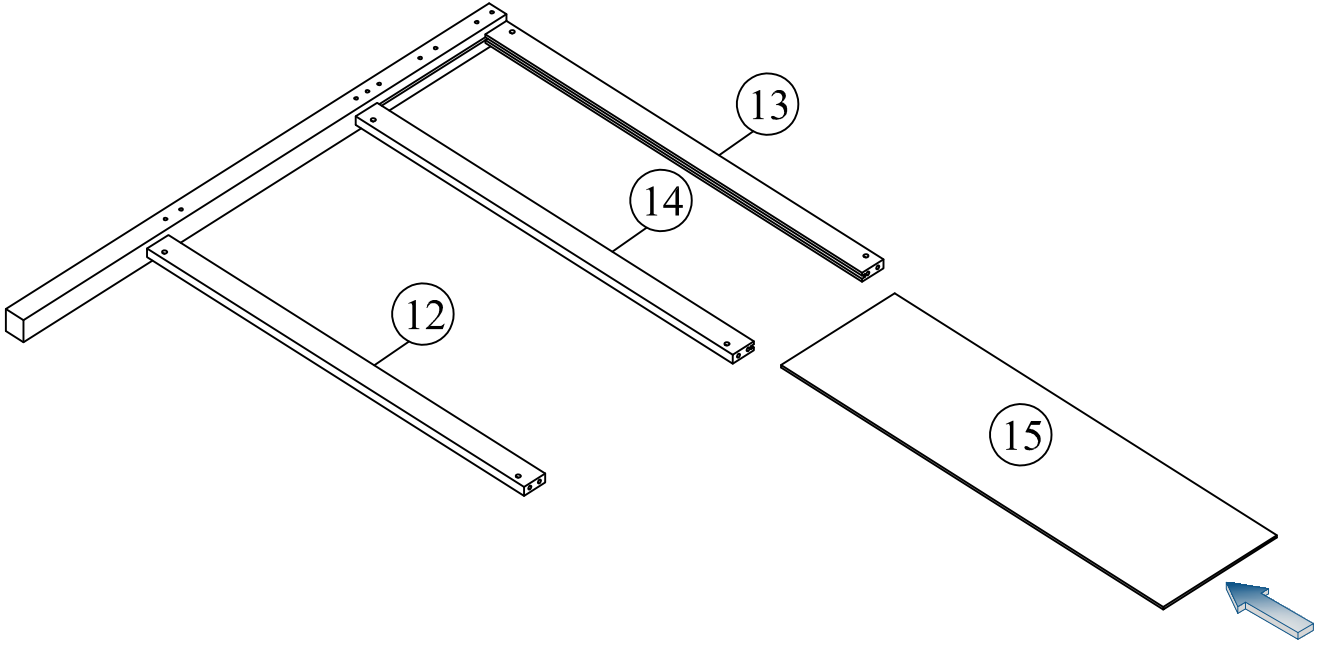
I		1pc
A		3pcs
C		3pcs
G		3pcs

**STEP 4:**


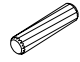




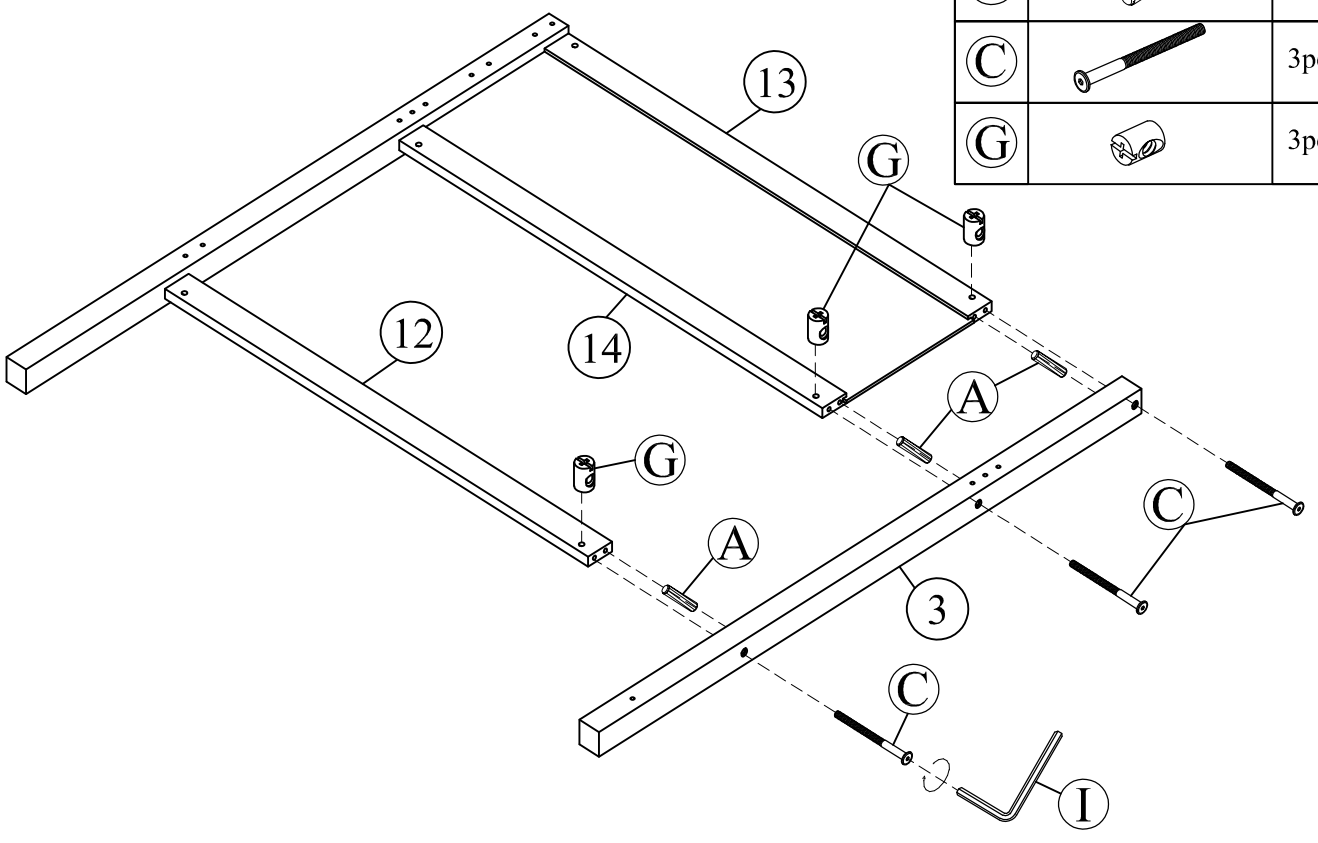
I		1pc
A		3pcs
C		3pcs
G		3pcs

**STEP 5:**

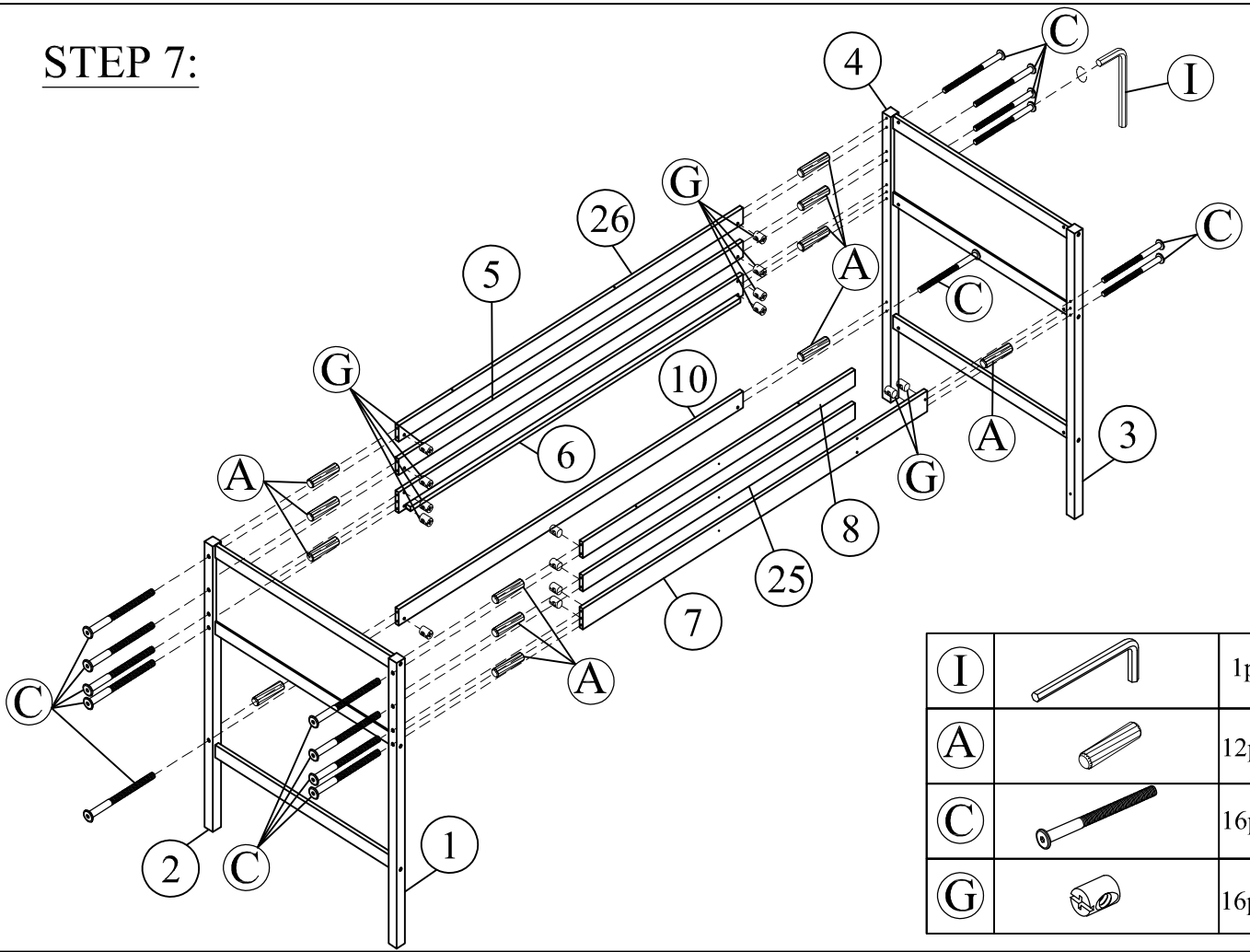



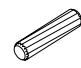
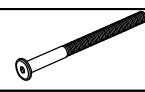

**STEP 6:**

I		1pc
A		3pcs
C		3pcs
G		3pcs

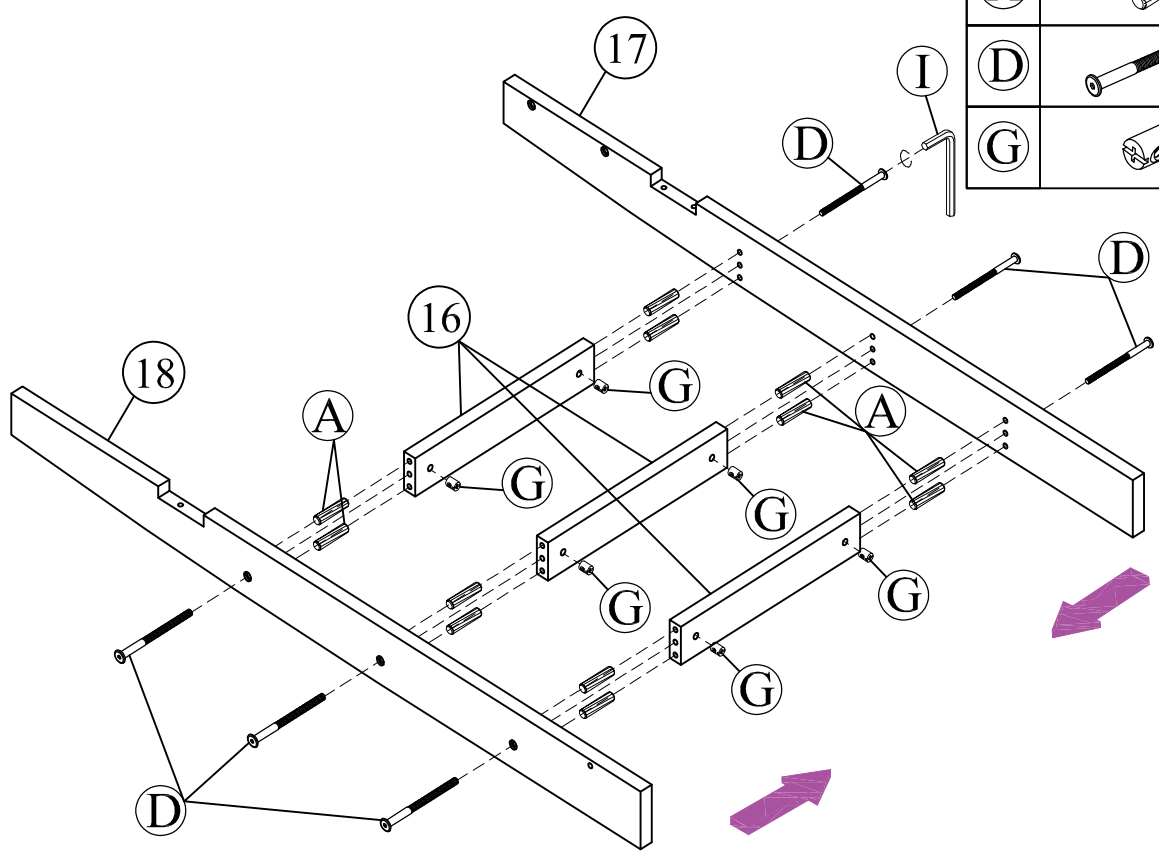


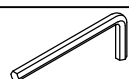
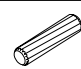
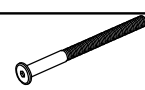
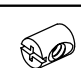
**STEP 7:**



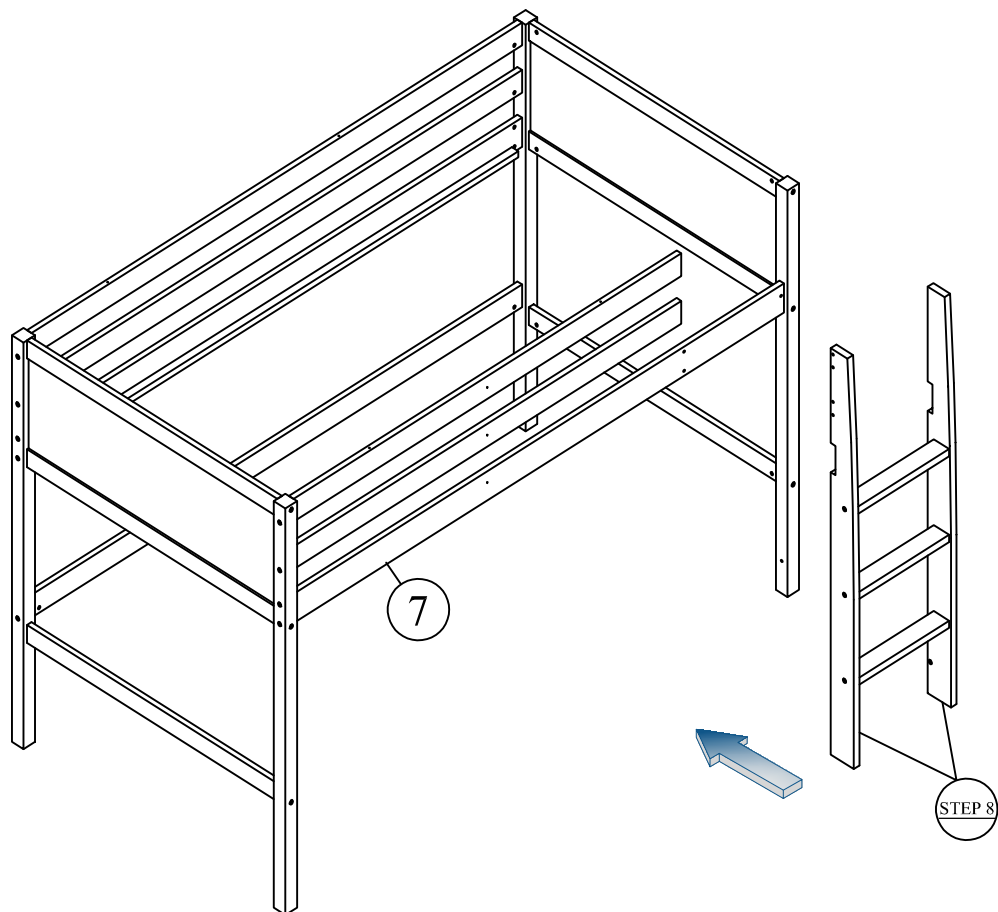
I		1pc
A		12pcs
C		16pcs
G		16pcs

**STEP 8:**

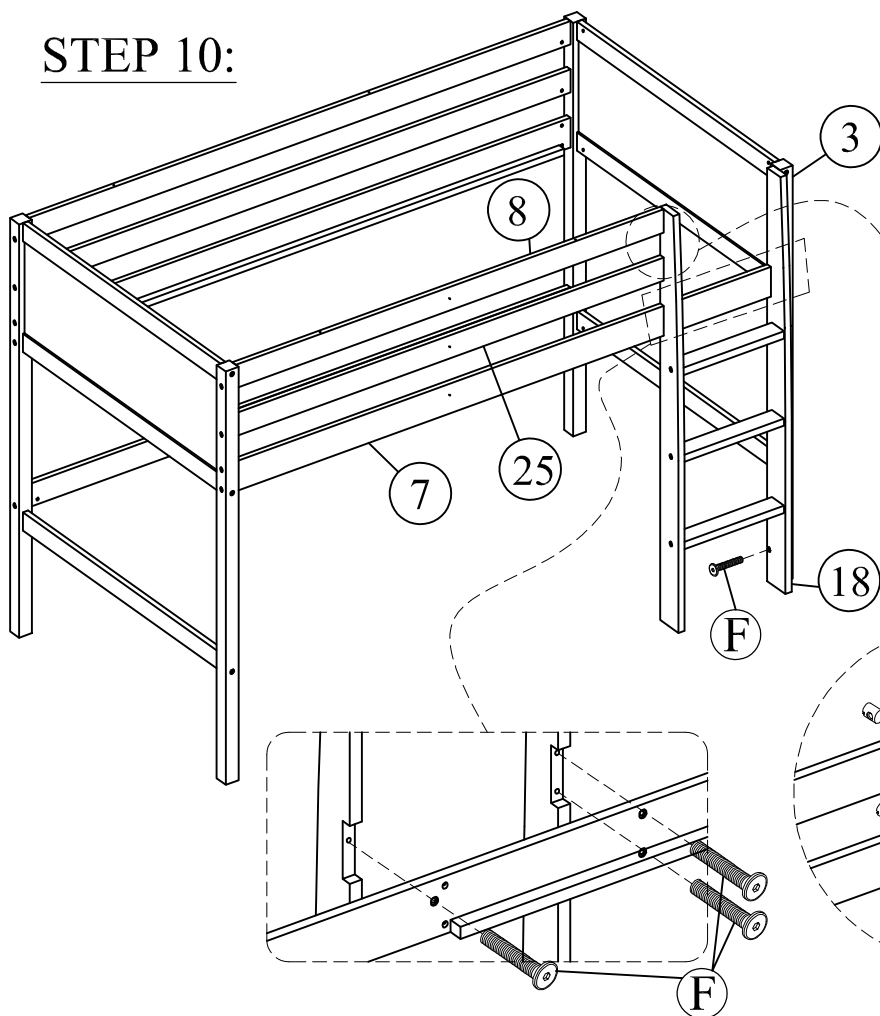


I		1pc
A		12pcs
D		6pcs
G		6pcs

## STEP 9:

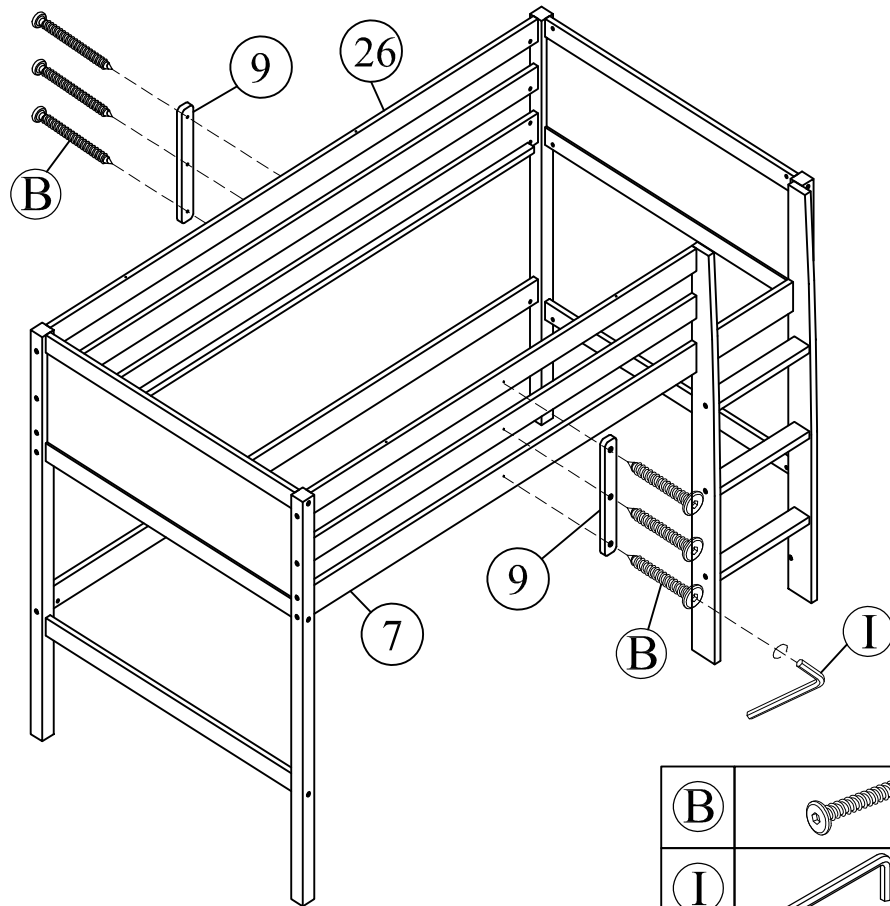


## STEP 10:



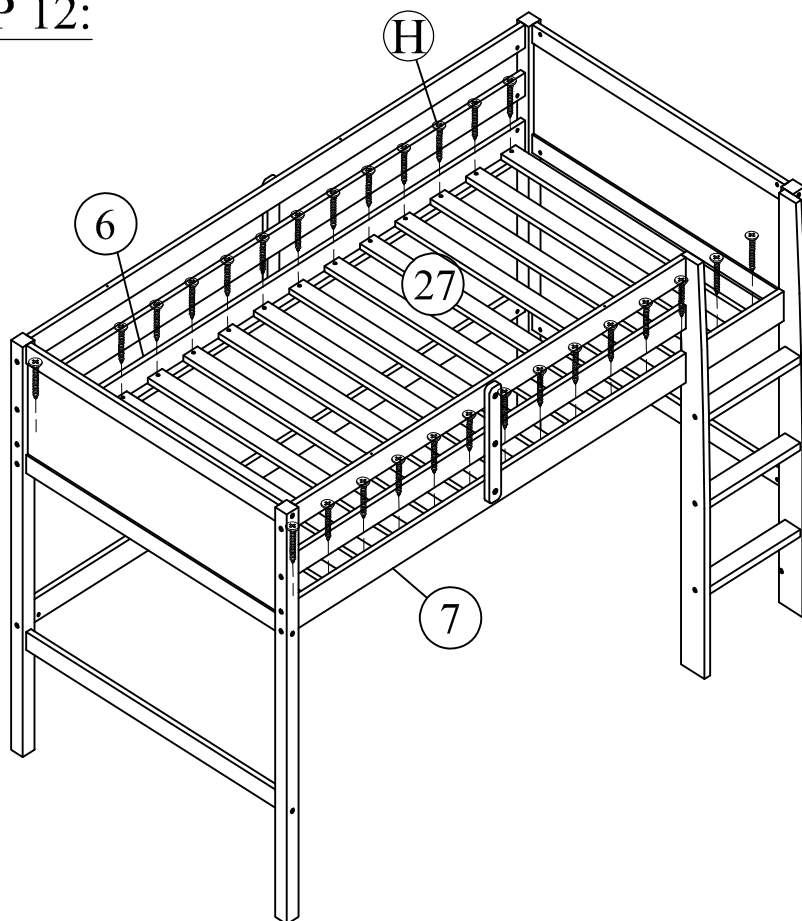
(I)		1pc
(A)		2pcs
(D)		2pcs
(G)		2pcs
(F)		4pcs

**STEP 11:**

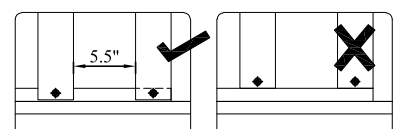


(B)		6pcs
(I)		1pc

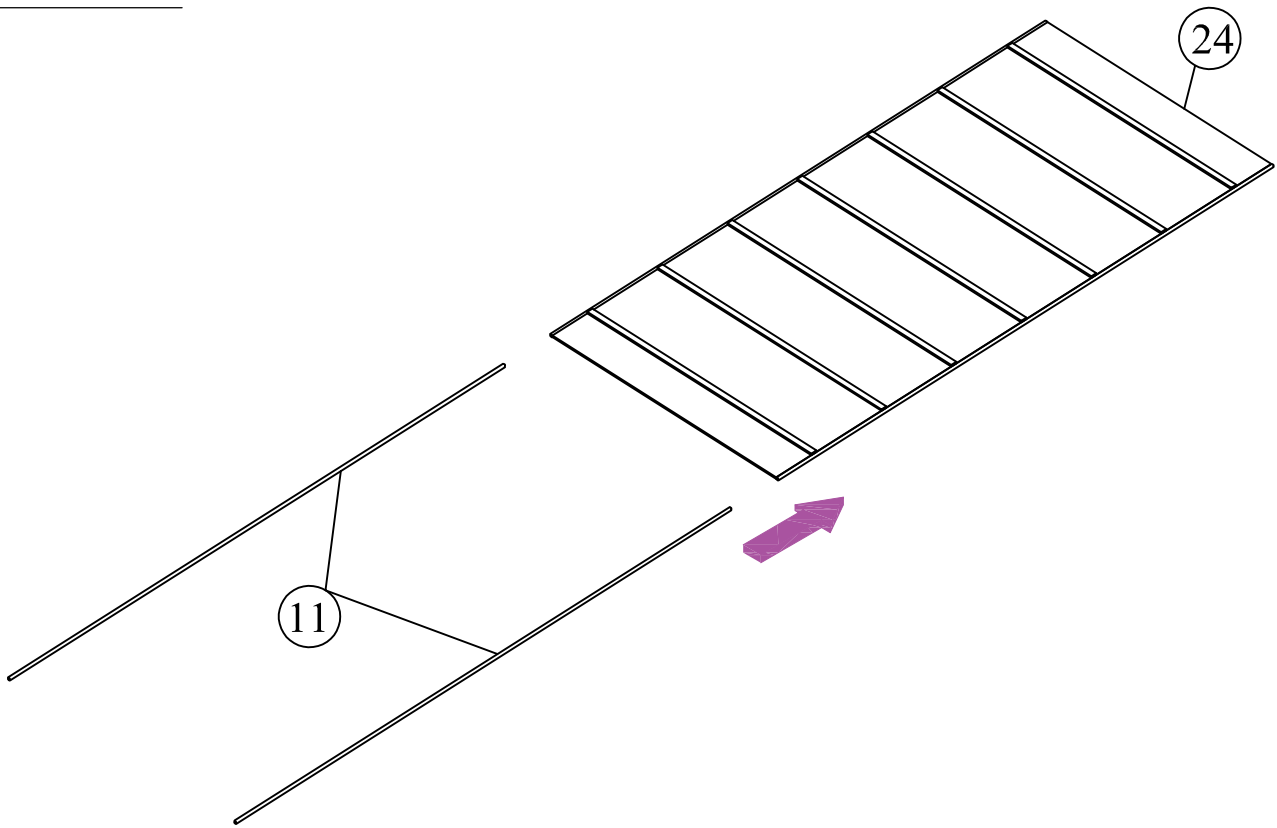
**STEP 12:**



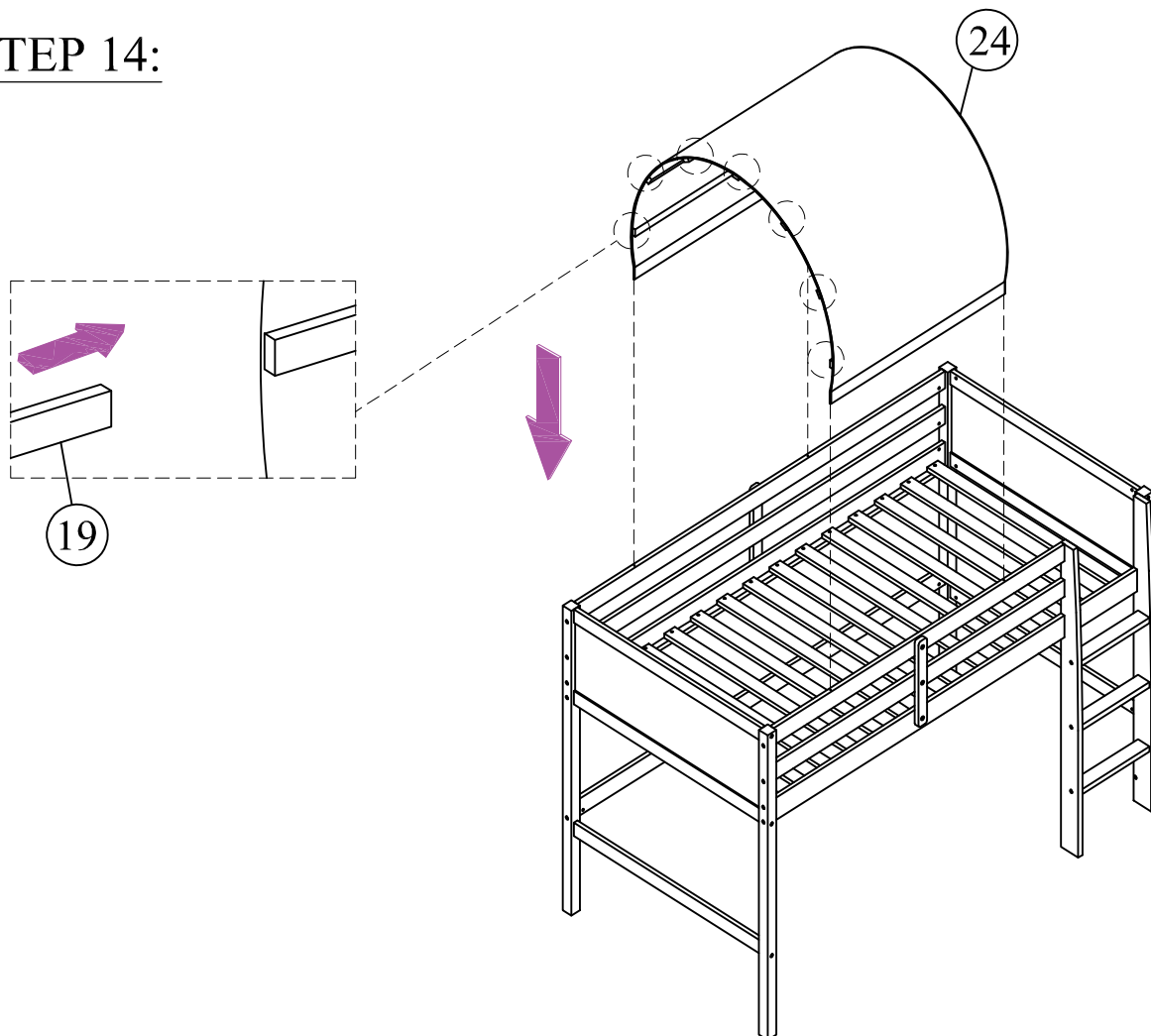
(H)		28pcs
-----	--	-------



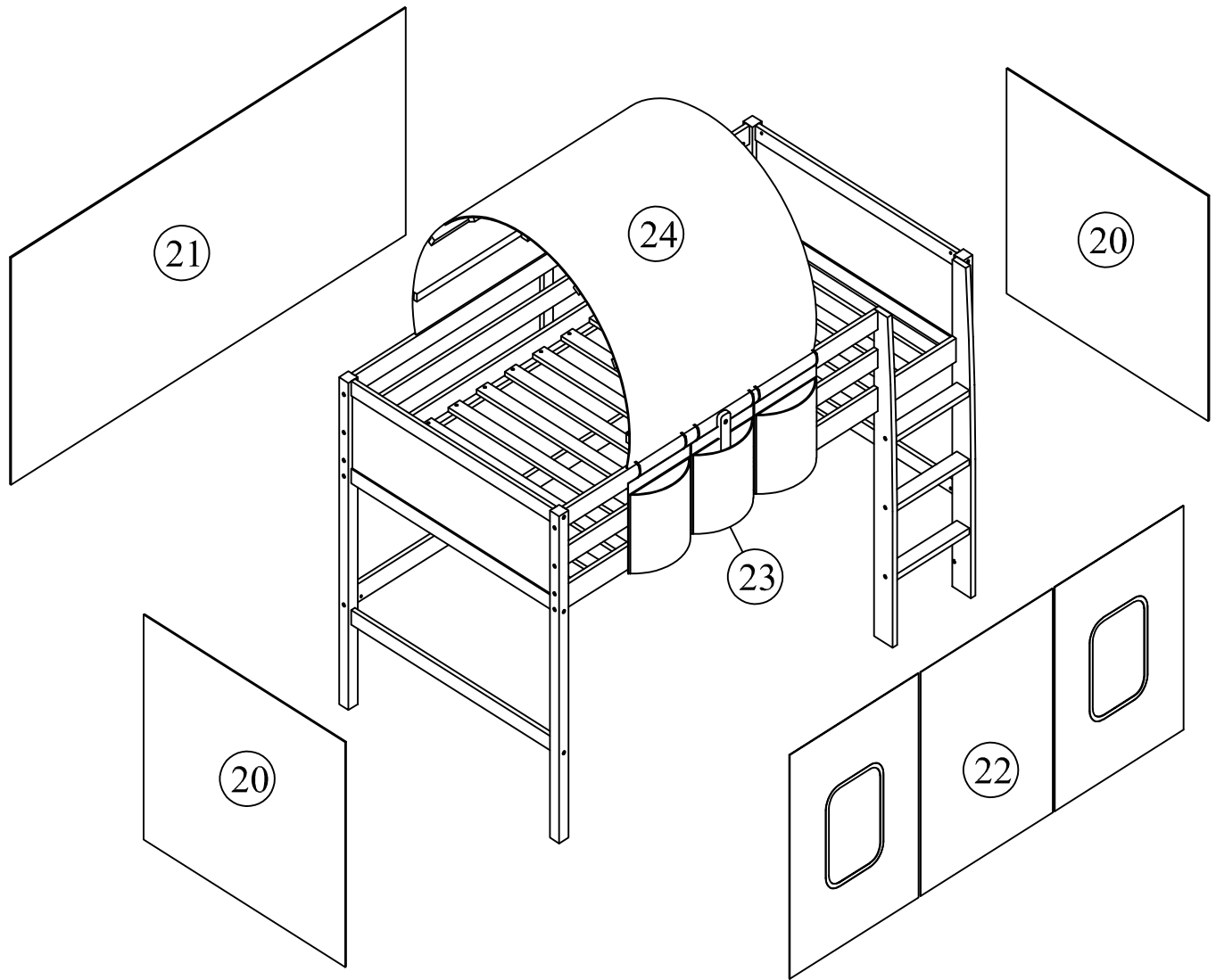
**STEP 13:**



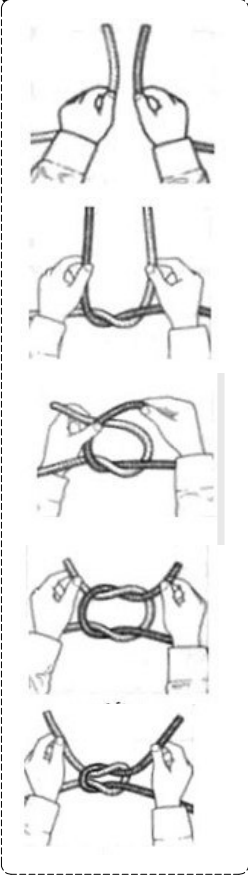
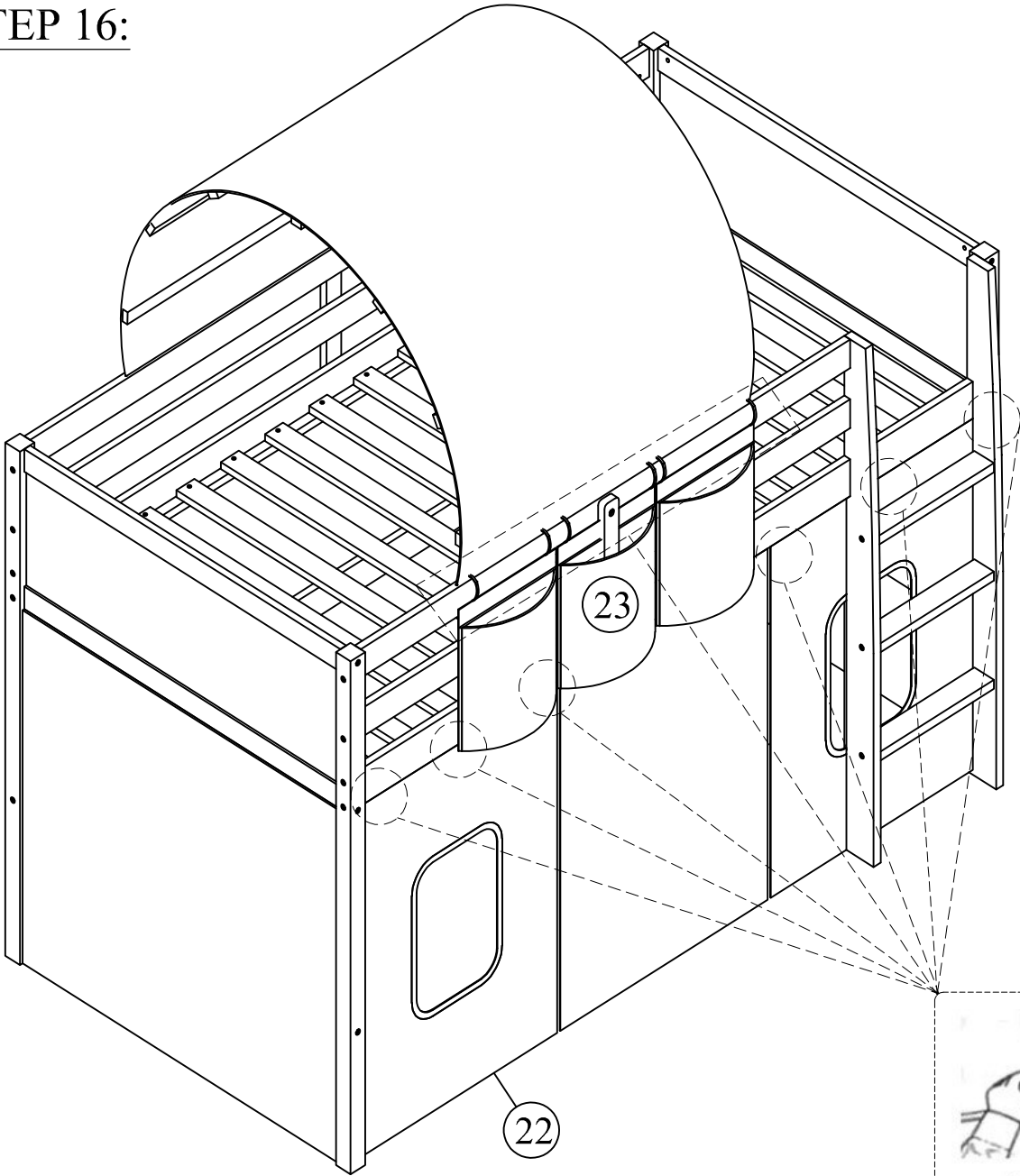
**STEP 14:**



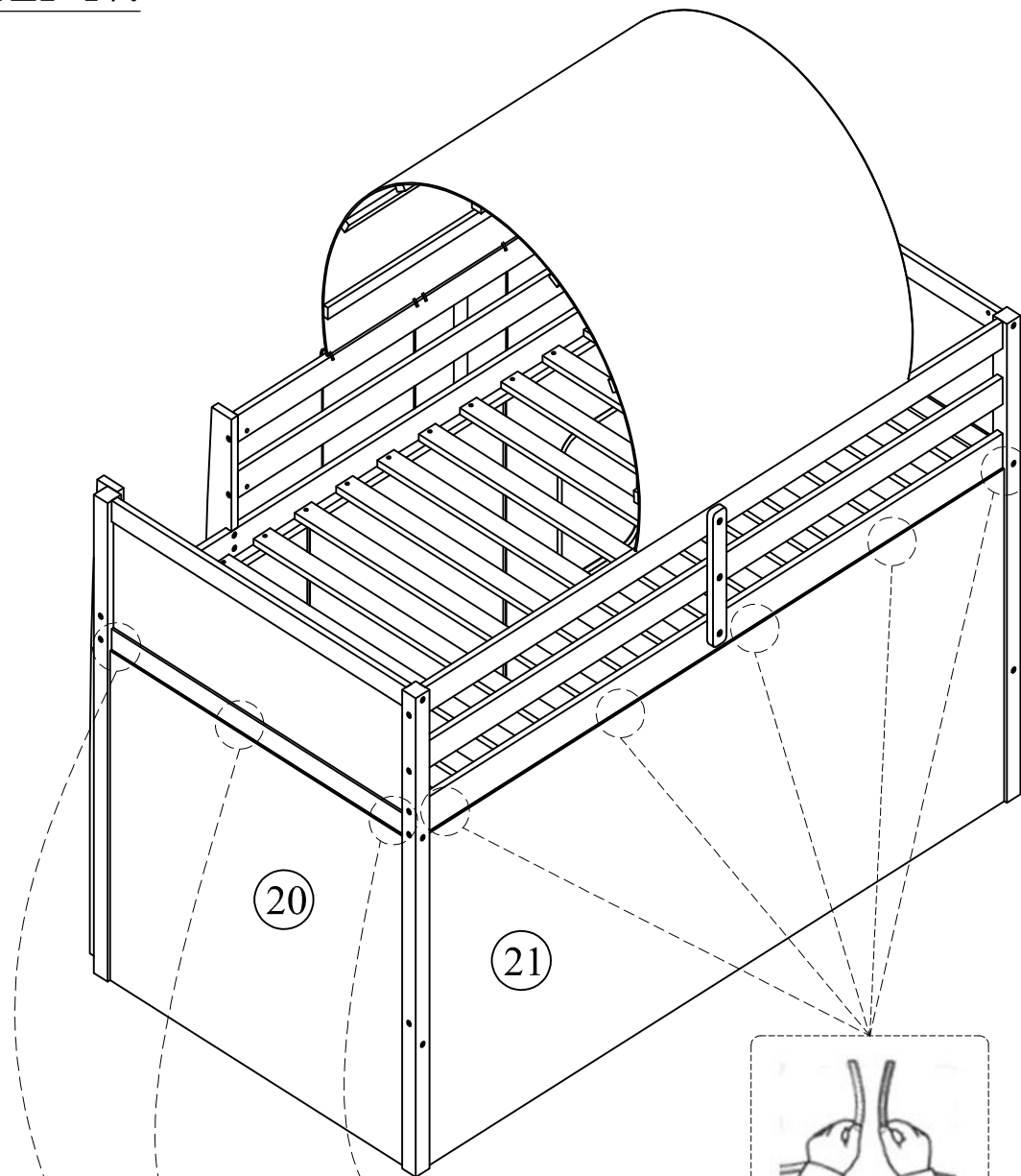
STEP 15:



**STEP 16:**

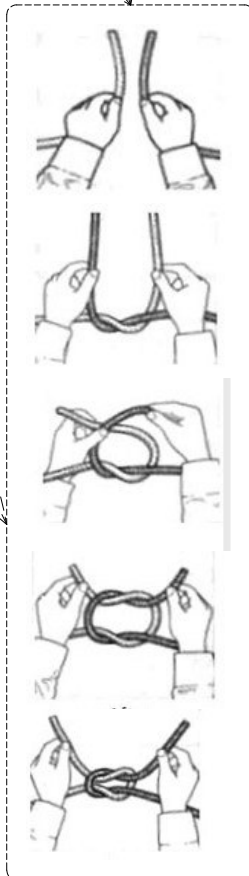


STEP 17:



20

21



FINAL:

