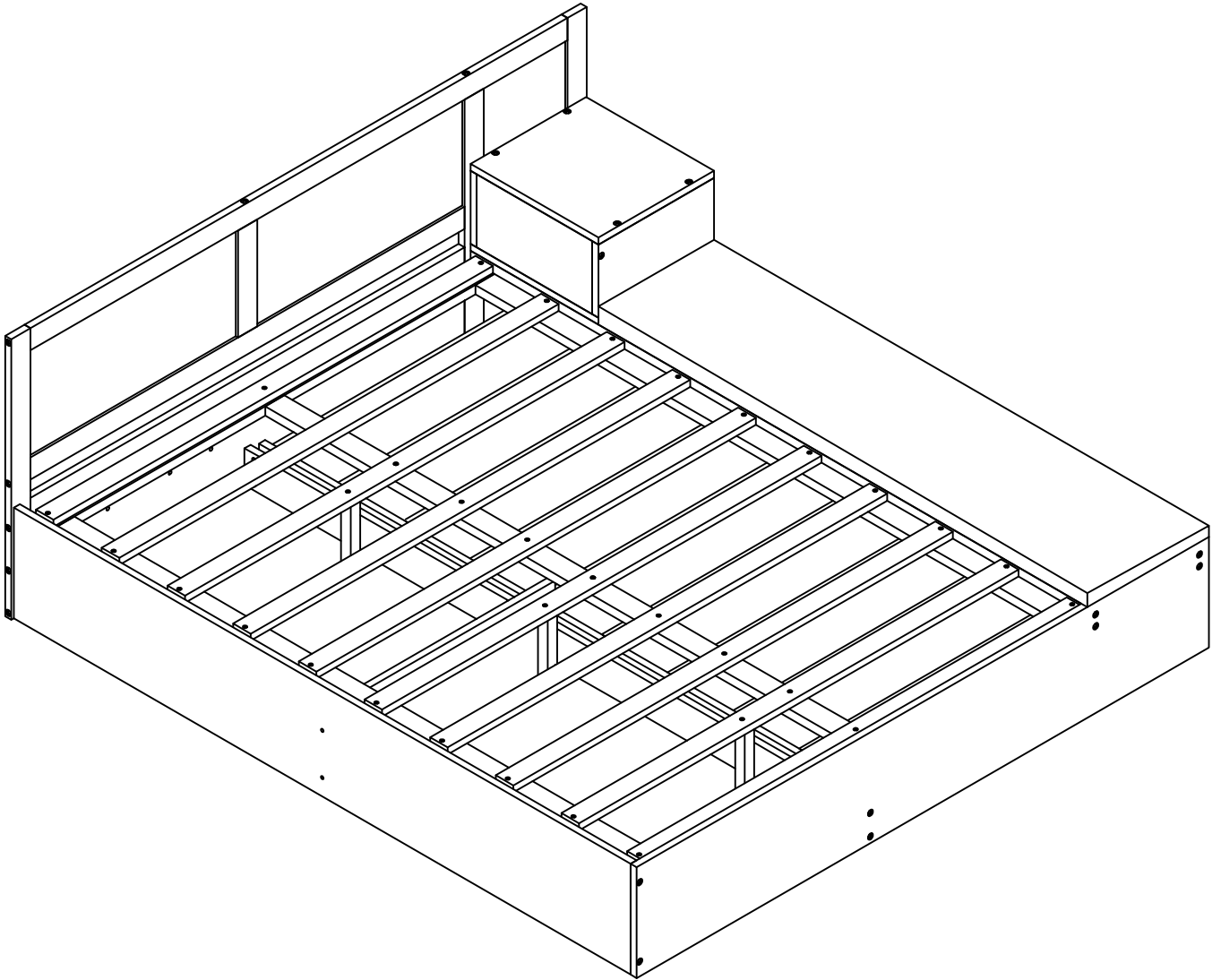
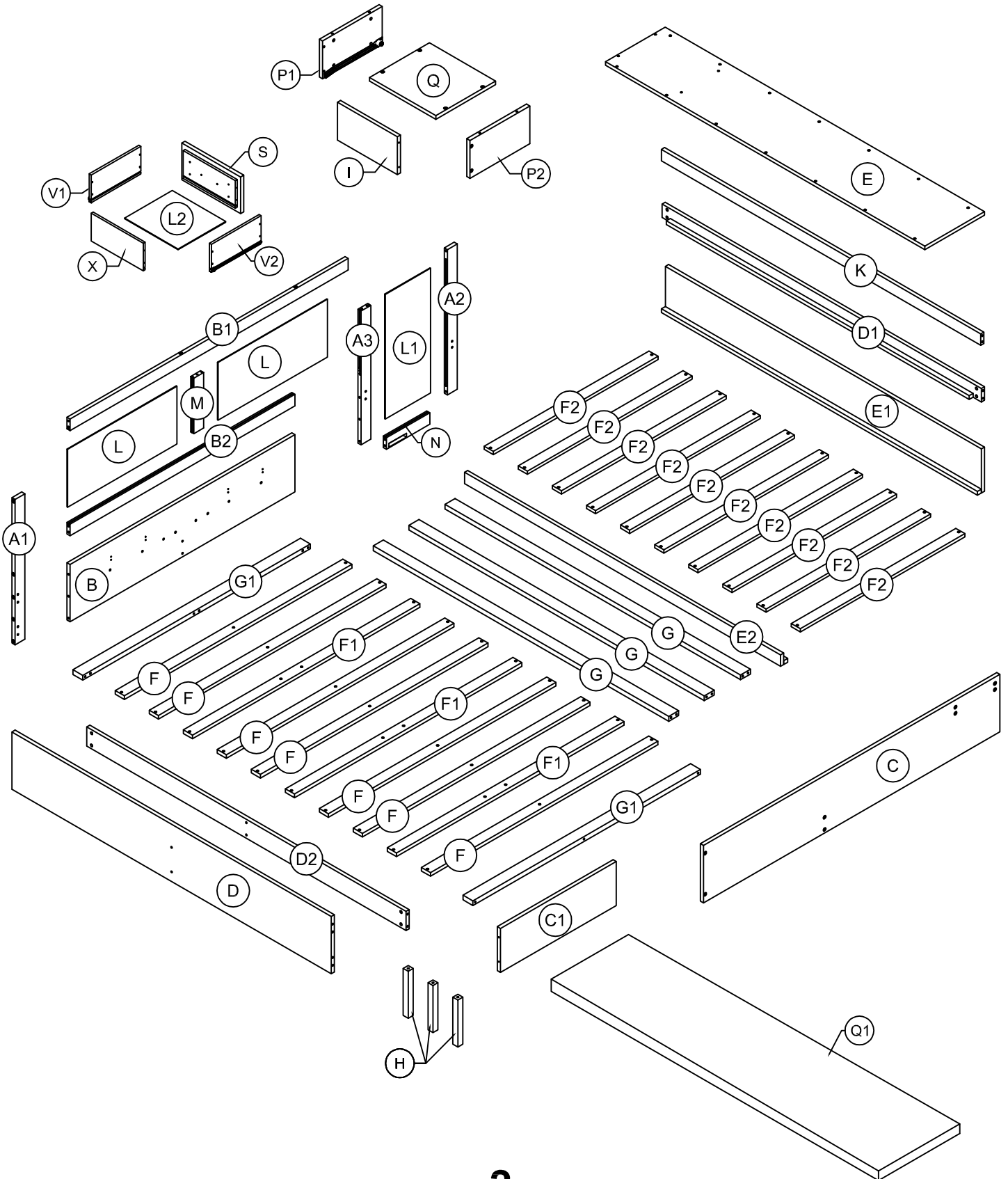


# ASSEMBLY INSTRUCTION

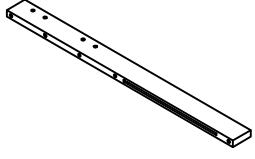
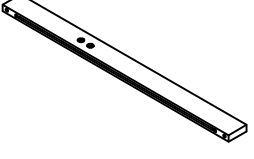
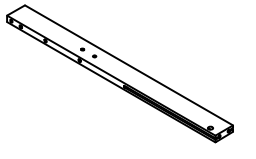
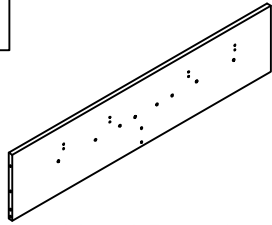

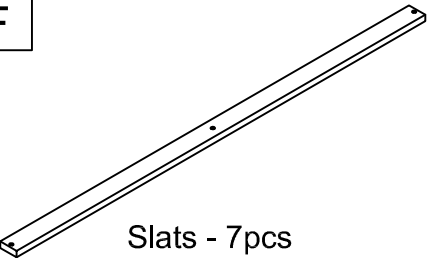
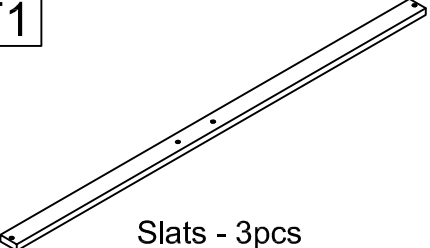
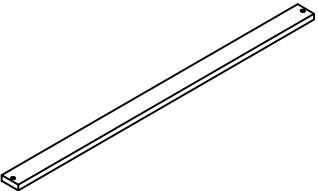
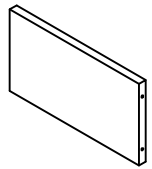
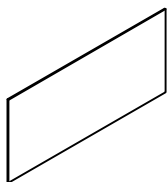
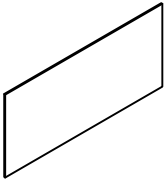
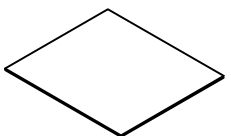

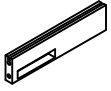
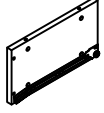
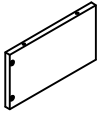
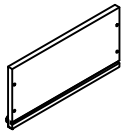
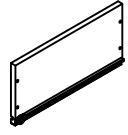
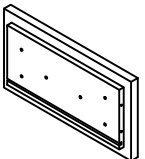
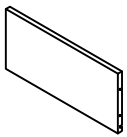
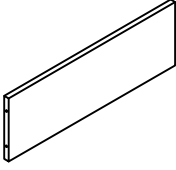
SKU CODE: (WF317478-WF317479)



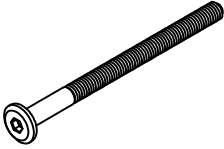
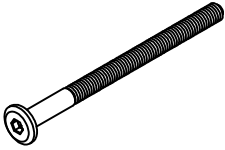
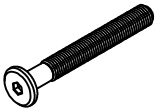
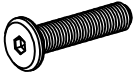
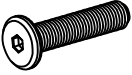
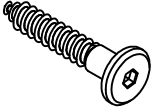




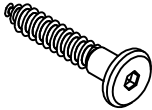
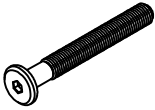
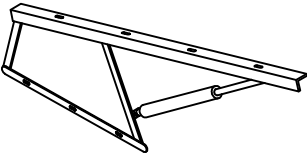
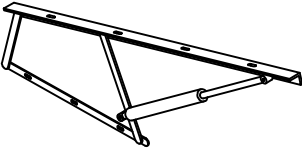
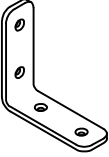
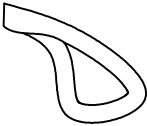
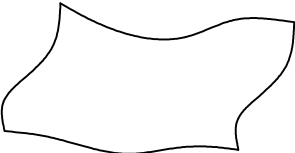
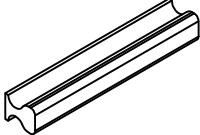
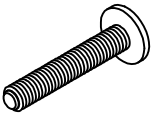
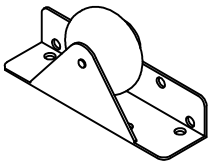

# ASSEMBLY INSTRUCTION



# Part List (WF317478)

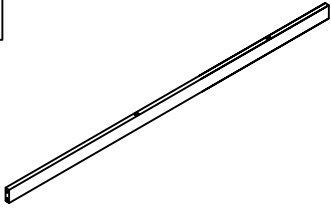
<p><b>A1</b></p>  <p>Leg (HB Font) - 1pc</p>	<p><b>A2</b></p>  <p>Leg (HB Font) - 1pc</p>	<p><b>A3</b></p>  <p>Leg (HB Font) - 1pc</p>
<p><b>B</b></p>  <p>Head Board - 1pc</p>	<p><b>H</b></p>  <p>Support Leg - 3pcs</p>	<p><b>F</b></p>  <p>Slats - 7pcs</p>
<p><b>F1</b></p>  <p>Slats - 3pcs</p>	<p><b>F2</b></p>  <p>Slats - 10pcs</p>	<p><b>I</b></p>  <p>Cabinet Back - 1pc</p>
<p><b>L</b></p>  <p>Sheets - 2pcs</p>	<p><b>L1</b></p>  <p>Sheets - 1pc</p>	<p><b>L2</b></p>  <p>Sheets - 1pc</p>
<p><b>M</b></p>  <p>Sliding Plate - 1pc</p>	<p><b>N</b></p>  <p>Crossbar - 1pc</p>	<p><b>P1</b></p>  <p>Cabinet Side - 1pc</p>
<p><b>P2</b></p>  <p>Cabinet Side - 1pc</p>	<p><b>V1</b></p>  <p>Draws Side panels - 1pc</p>	<p><b>V2</b></p>  <p>Draws Side panels - 1pc</p>
<p><b>S</b></p>  <p>Cabinet doors - 1pc</p>	<p><b>X</b></p>  <p>Draws Back panels - 1pc</p>	<p><b>C1</b></p>  <p>Bar - 1pc</p>

# Hardware List (WF317478)

<p>1</p>  <p>1/4" x 100mm Hex-Head bolts 17pcs</p>	<p>2</p>  <p>1/4" x 90mm Hex-Head bolts 3pcs</p>	<p>3</p>  <p>1/4" x 60mm Hex-Head bolts 16pcs</p>
<p>4</p>  <p>1/4" x 30mm Hex-Head bolts 3pcs</p>	<p>5</p>  <p>1/4" x 20mm Hex-Head bolts 8pcs</p>	<p>6</p>  <p>1/4" x 20mm Wood Screws 8pcs</p>
<p>7</p>  <p>Ø8 x 30mm Wood Dowel 17pcs</p>	<p>8</p>  <p>1/4" x 15mm Horizontal -Hole bolts 44pcs</p>	<p>9</p>  <p>M4 x 15 mm Wood Screws 36pcs</p>
<p>10</p>  <p>M4 x 30 mm Wood Screws 72pcs</p>	<p>11</p>  <p>1/4" x 50mm Wood Screws 8pcs</p>	<p>12</p>  <p>1/4" x 50mm Hex-Head bolts 8pcs</p>
<p>13</p>  <p>Piston Left 1pc</p>	<p>14</p>  <p>Piston Right 1pc</p>	<p>15</p>  <p>Steel Bracket 7pcs</p>
<p>16</p>  <p>Pabric 1pc</p>	<p>17</p>  <p>Carpet Fabric 1pc</p>	<p>18</p>  <p>Handle Steel 1pc</p>
<p>19</p>  <p>M4 x 35 mm Hex-Head bolts 2pcs</p>	<p>20</p>  <p>Wheels 4pcs</p>	<p>21</p>  <p>Steel Brackets /Supports en Acier 2pcs</p>

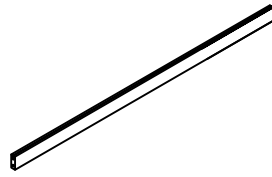
# Part List (WF317479)

B1



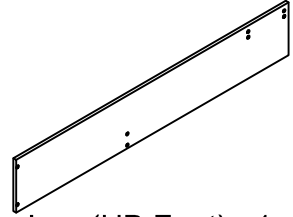
Leg (HB Font) - 1pc

B2



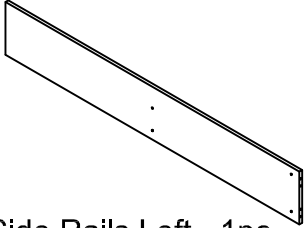
Leg (HB Font) - 1pc

C



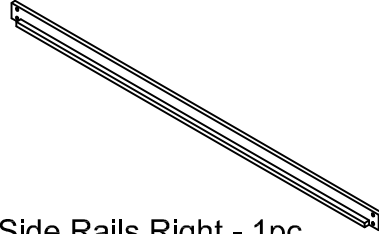
Leg (HB Font) - 1pc

D



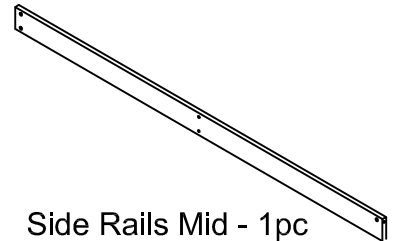
Side Rails Left - 1pc

D1



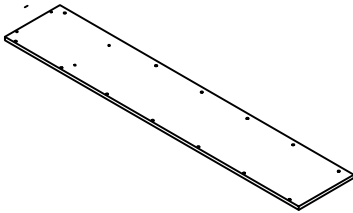
Side Rails Right - 1pc

D2



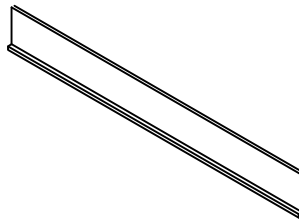
Side Rails Mid - 1pc

E



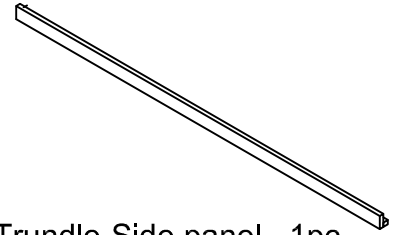
Trundle-Top panel - 1pc

E1



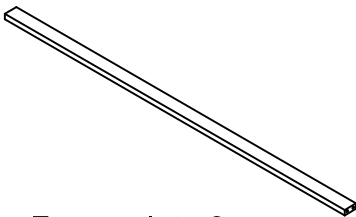
Trundle-Side panel - 1pc

E2



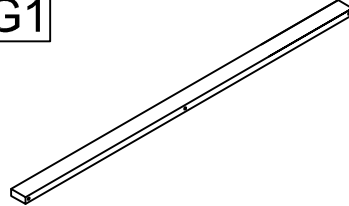
Trundle-Side panel - 1pc

G



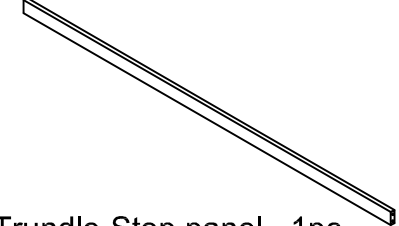
Frame slat - 3pcs

G1



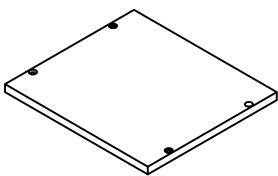
Frame slat - 2pcs

K



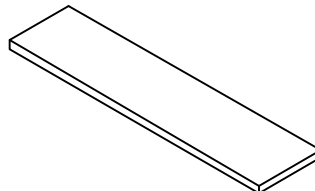
Trundle-Stop panel - 1pc

Q



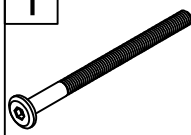

Top of the cabinet - 1pc

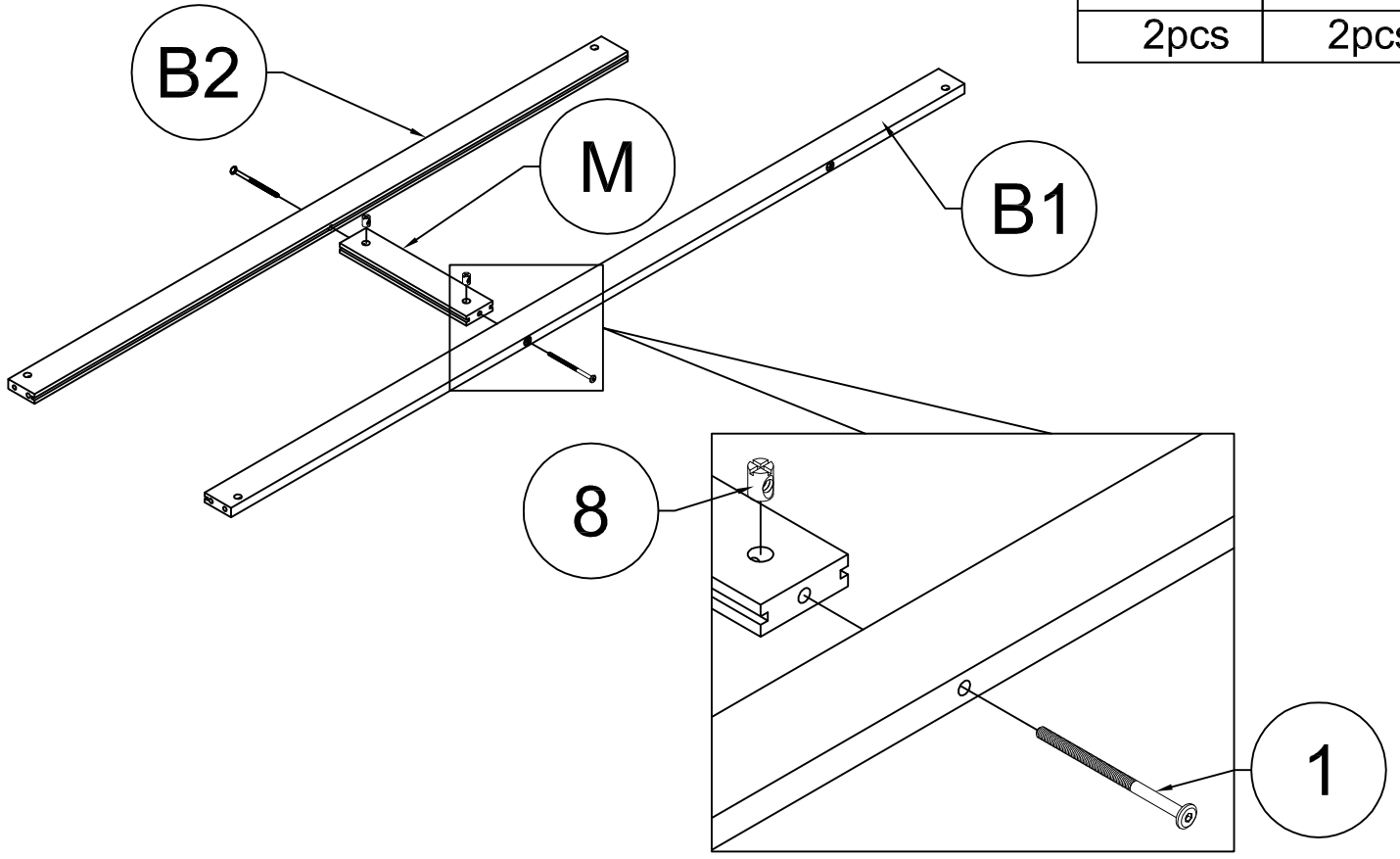
Q1



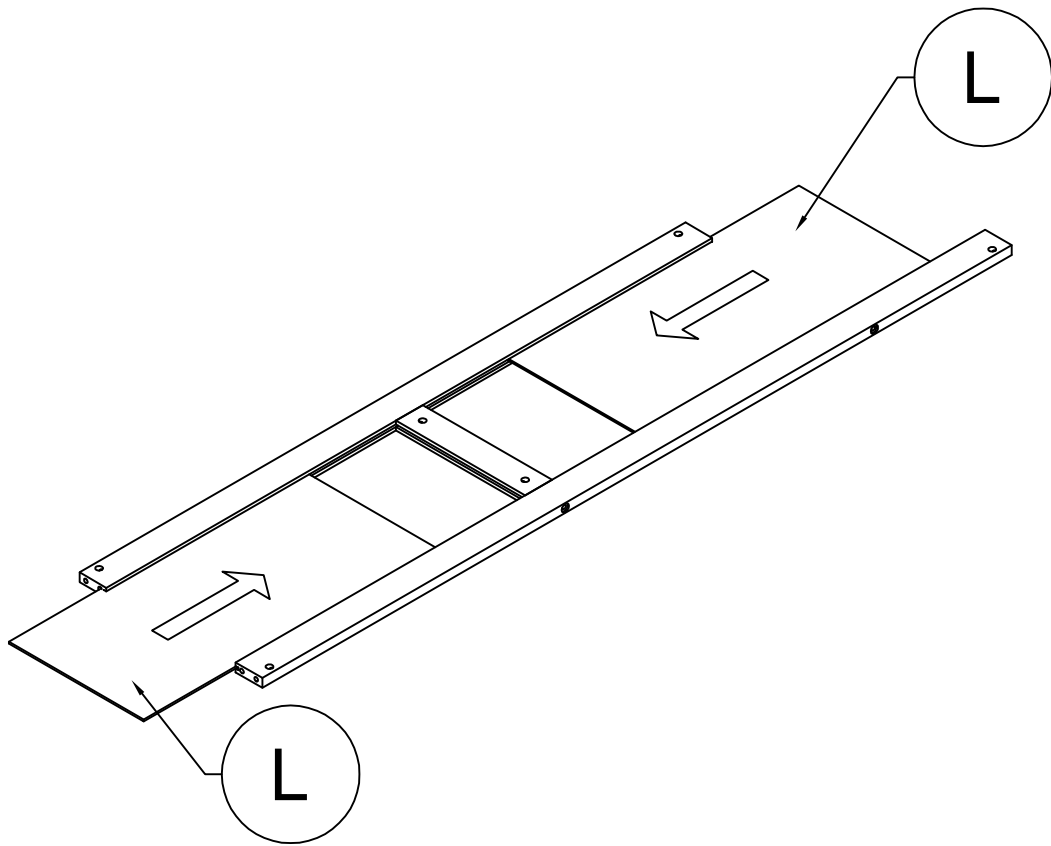
Mattress - 1pc

**STEP 1:** Following below illustration:

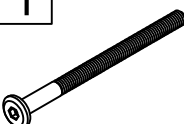
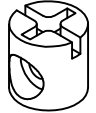
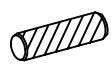
1	8
	
2pcs	2pcs

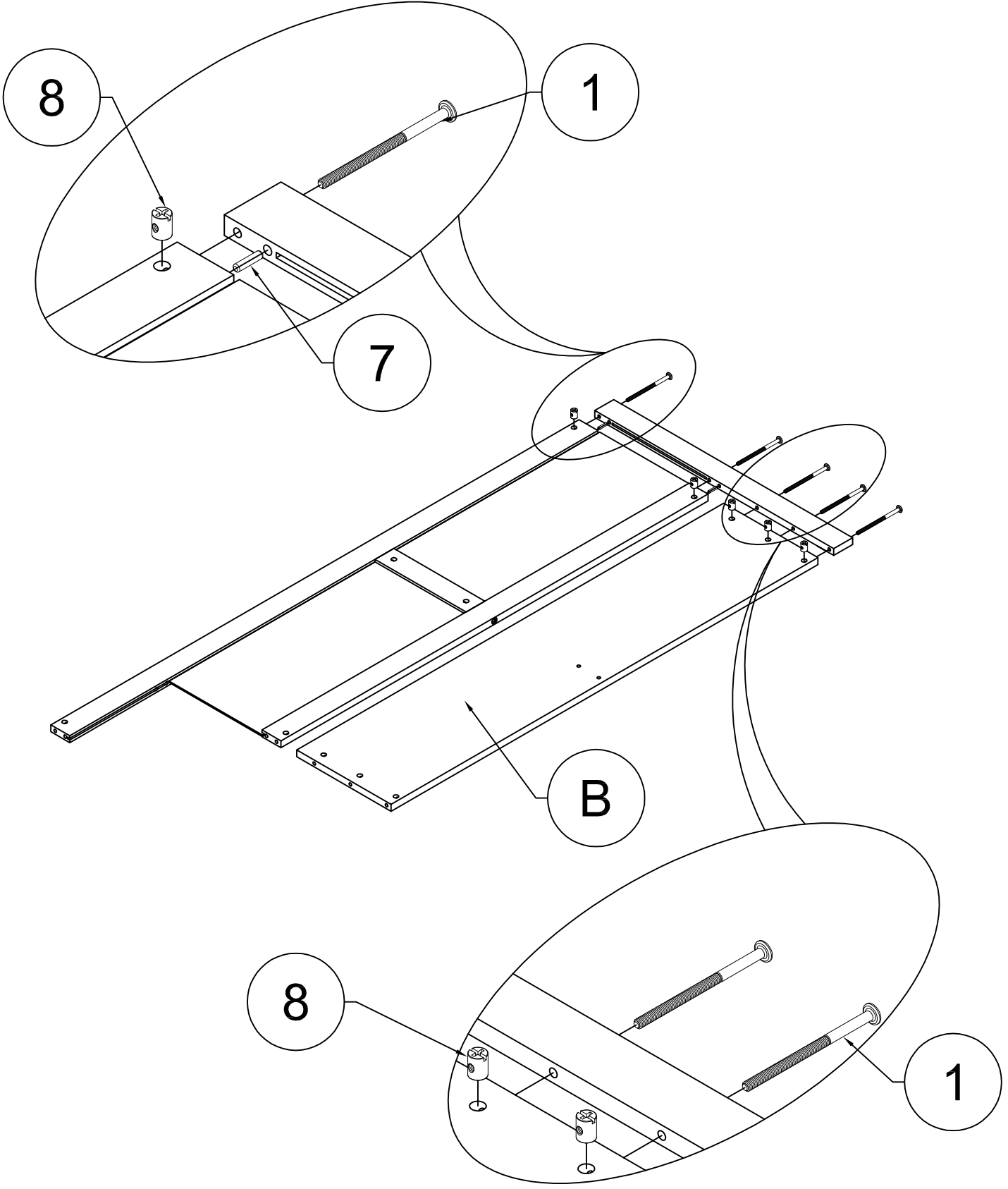


**STEP 2:** Following below illustration:

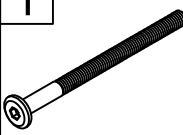
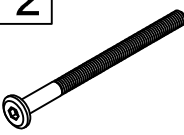
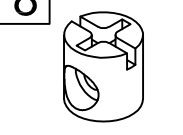
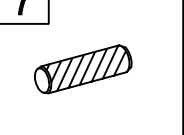


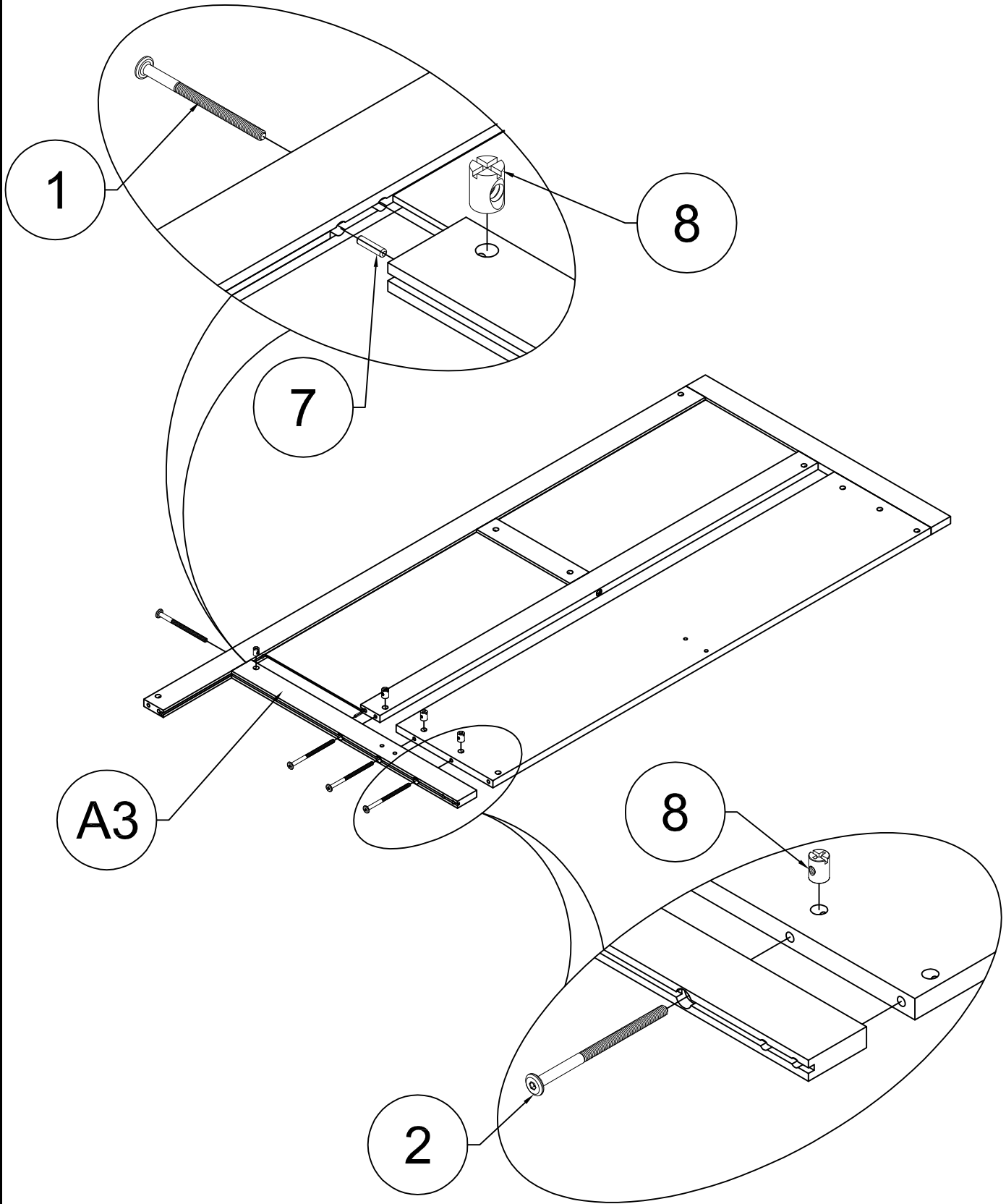
**STEP 3:** Following below illustration:

1	8	7
		
5pcs	5pcs	2pcs

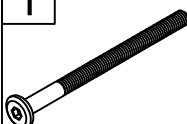
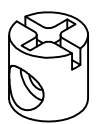
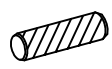


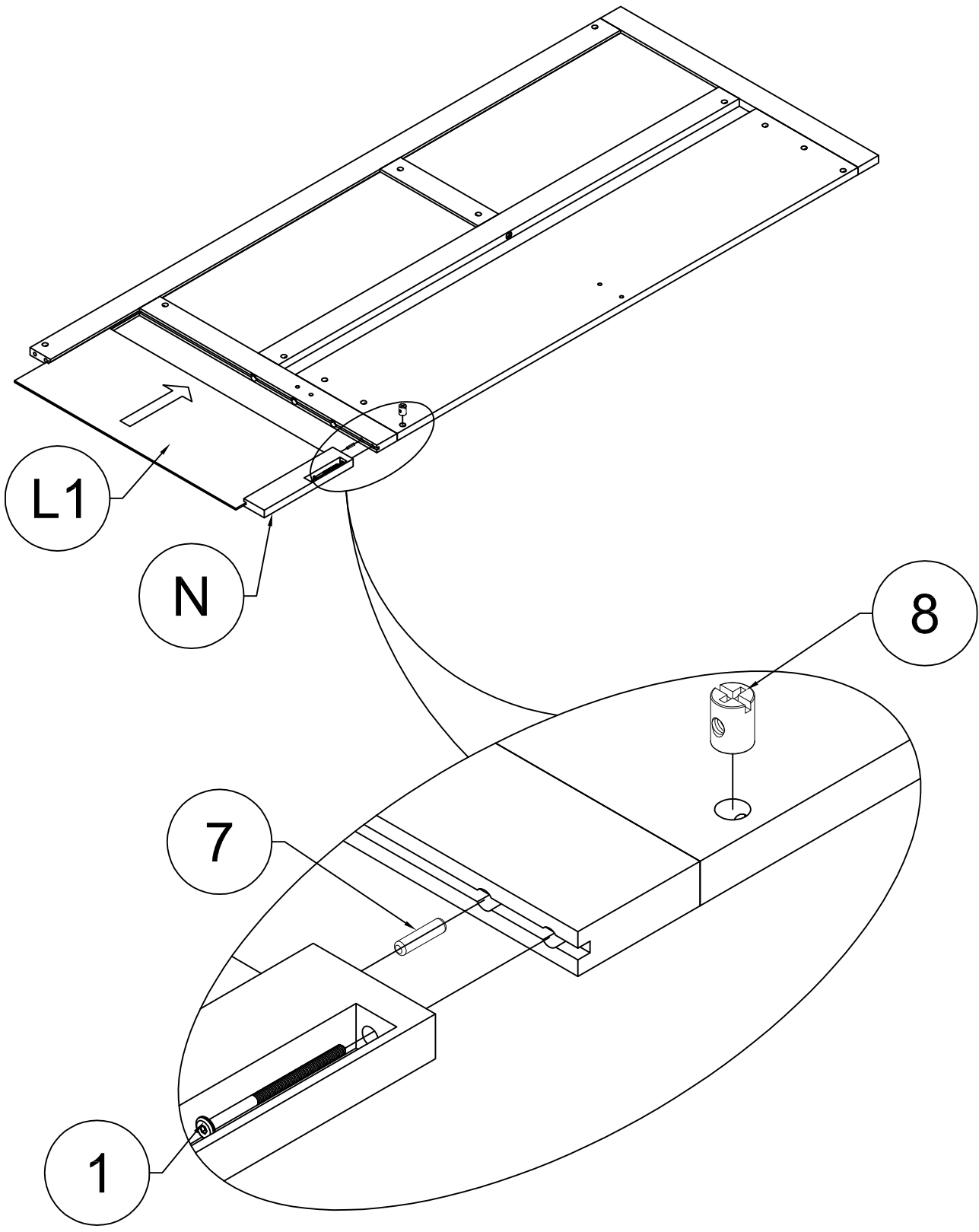
# STEP 4: Following below illustration:

1	2	8	7
			
1pc	3pcs	4pcs	2pcs

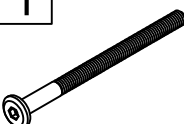
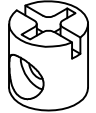
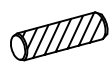


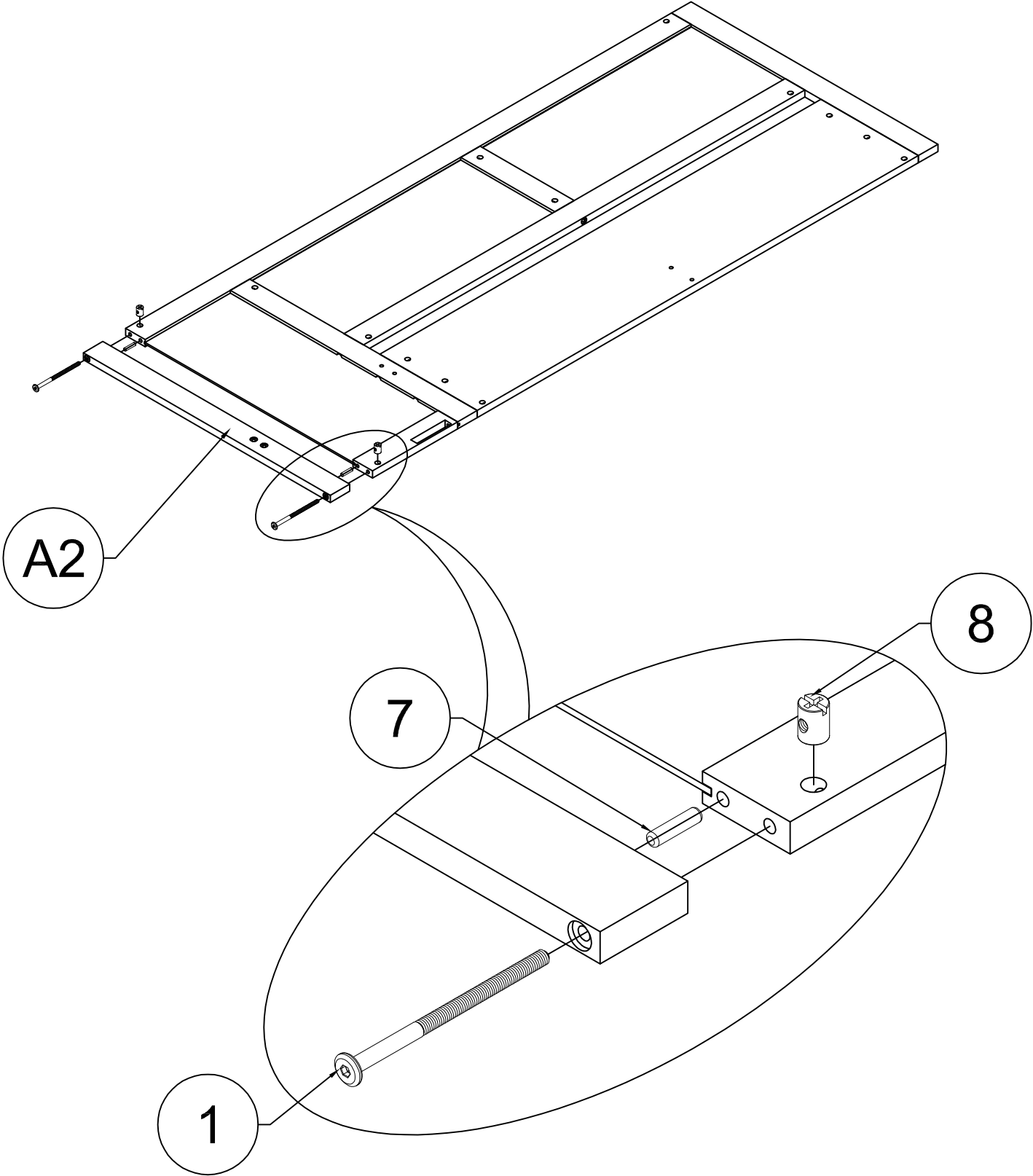
**STEP 5:** Following below illustration:

1	8	7
		
1pc	1pc	1pc

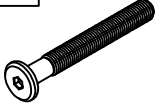

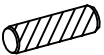


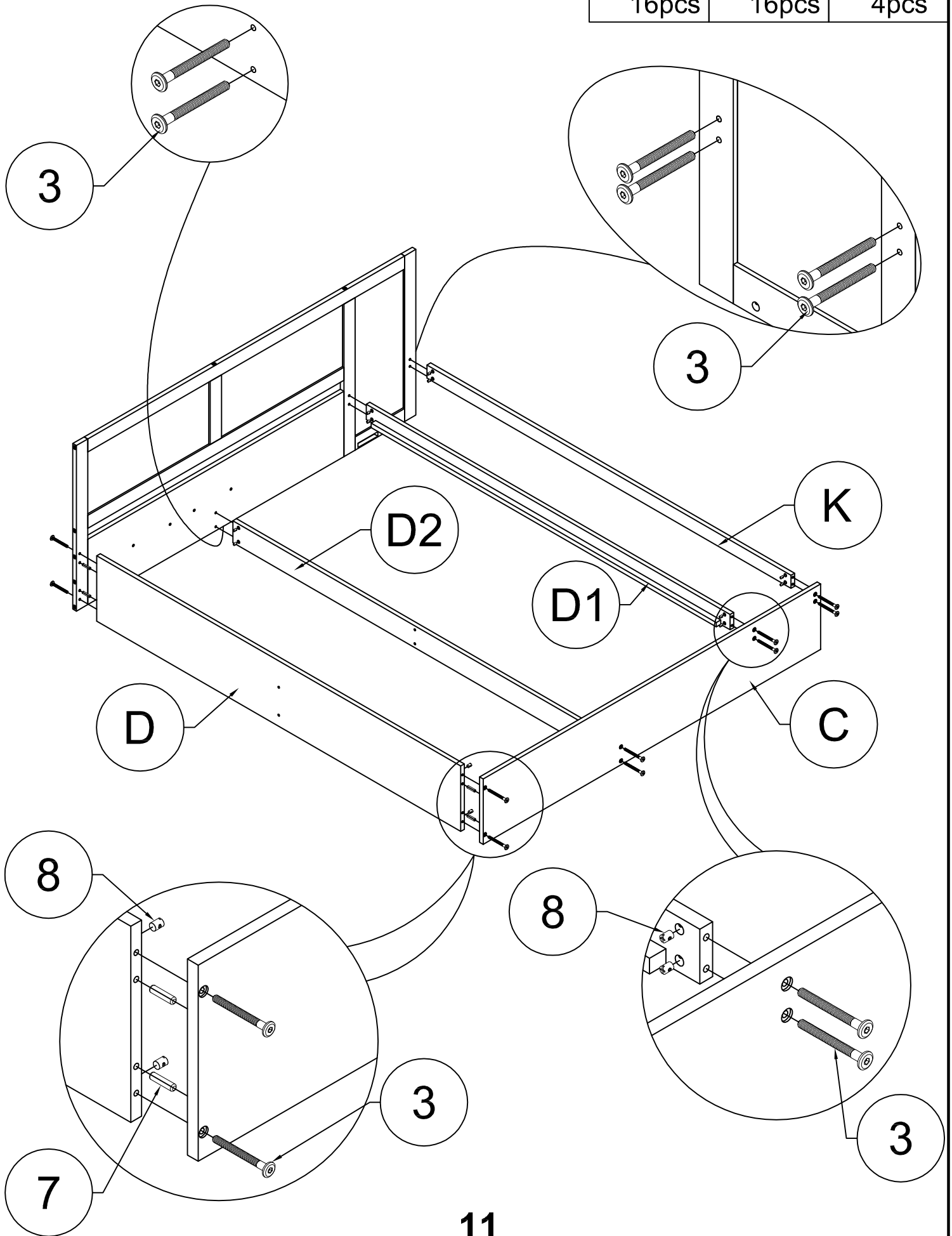
**STEP 6:** Following below illustration:

1	8	7
		
2pcs	2pcs	2pcs



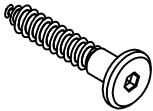
# STEP 7: Following below illustration:

3	8	7
		
16pcs	16pcs	4pcs

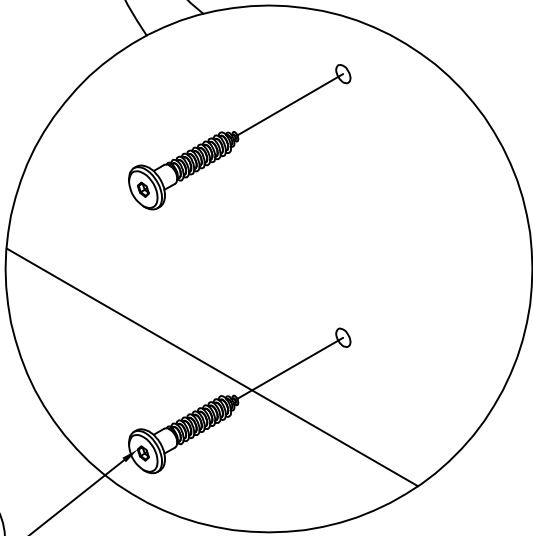
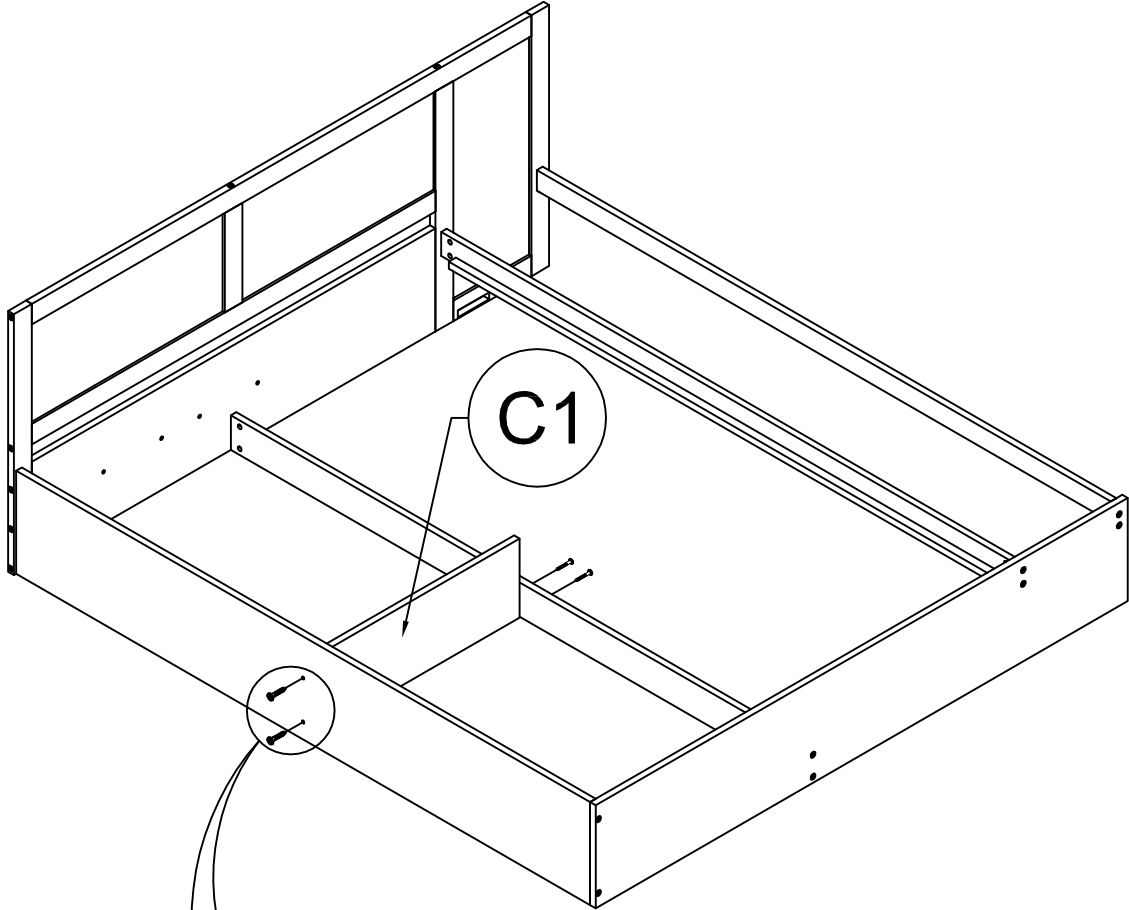


**STEP 8:** Following below illustration:

11

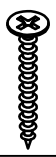


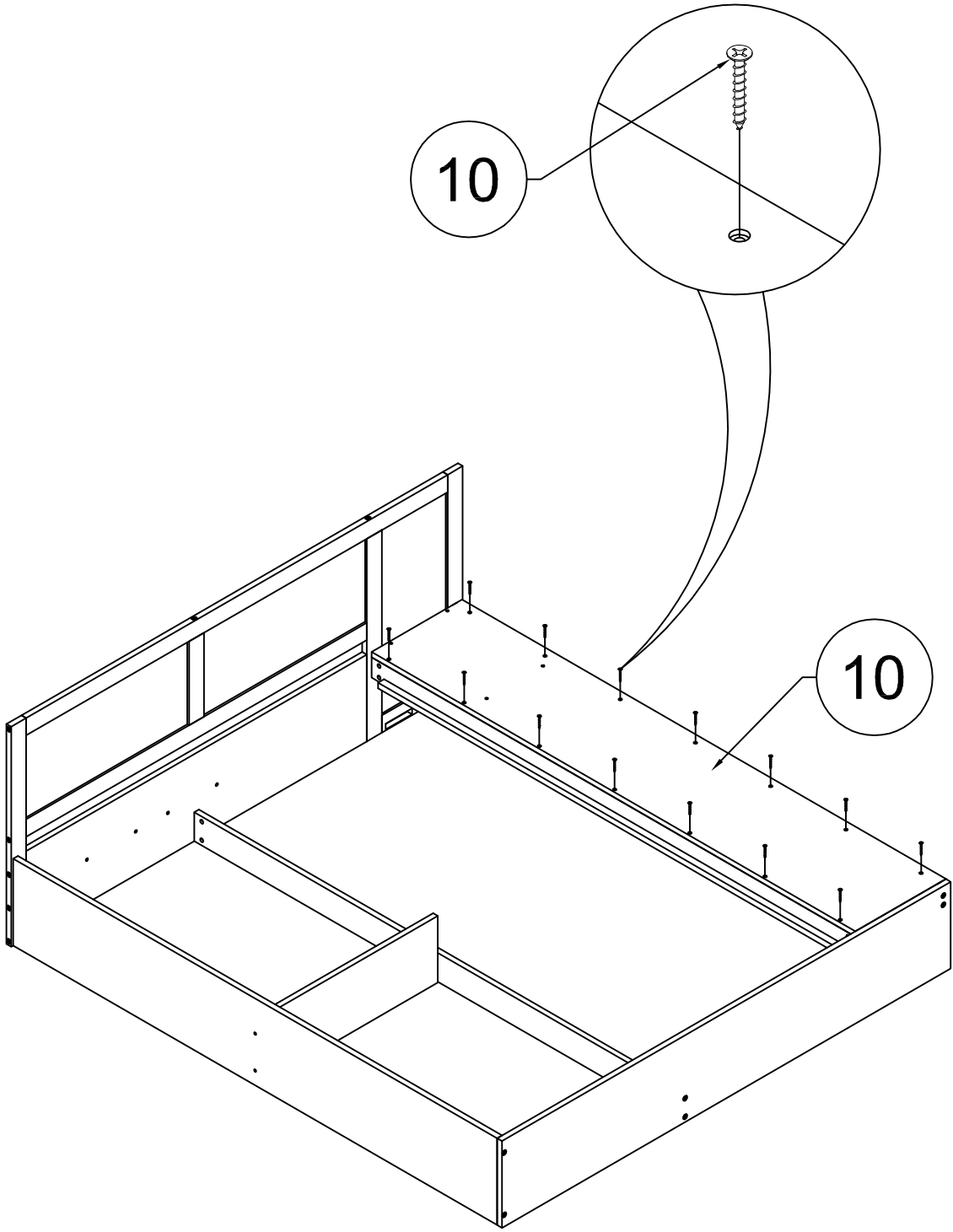
4pcs



11

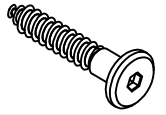
**STEP 9:** Following below illustration:

10	
14pcs	

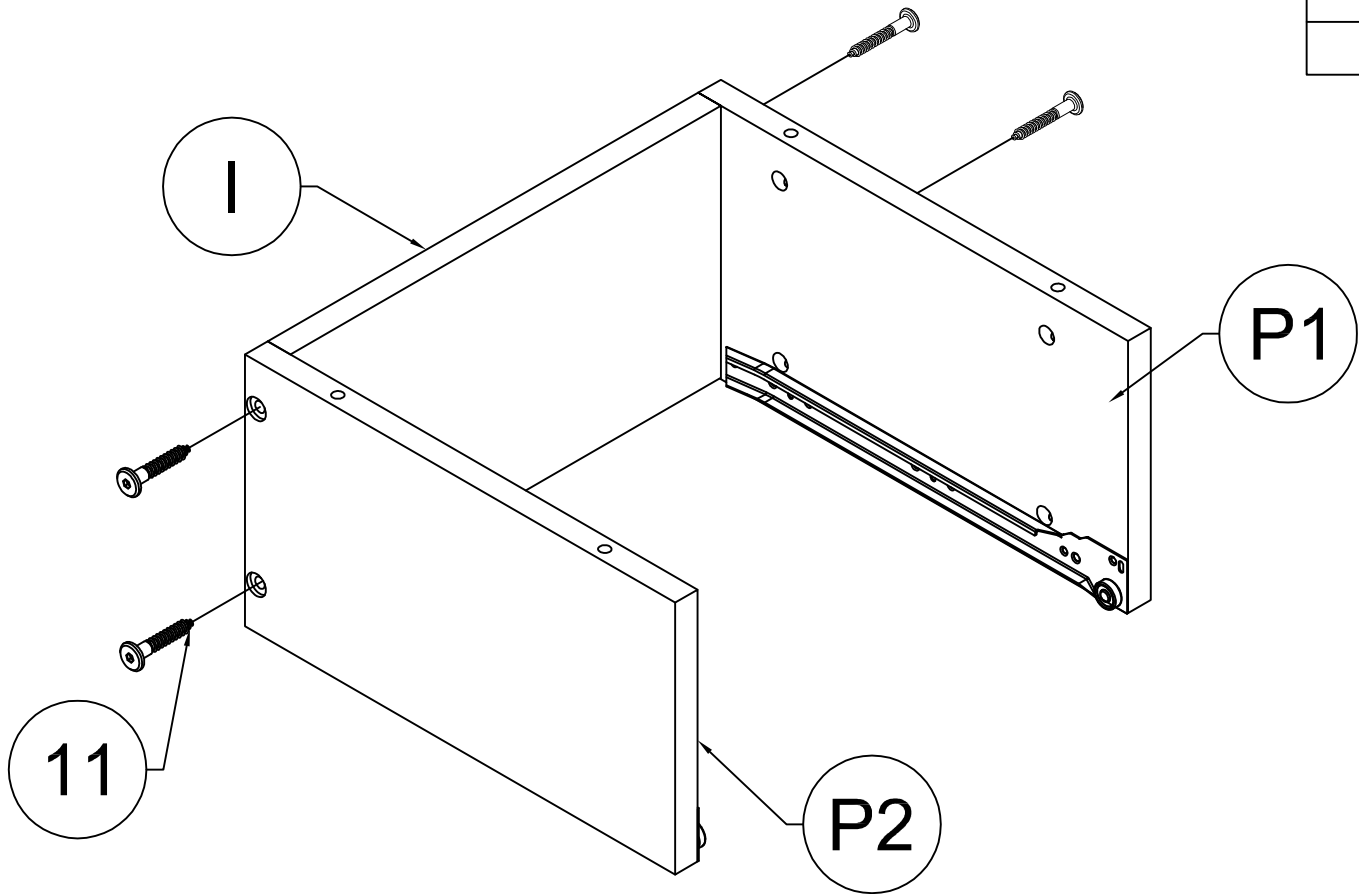


**STEP 10:** Following below illustration:

11

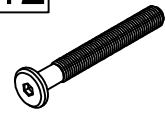


4pcs



**STEP 11:** Following below illustration:

12

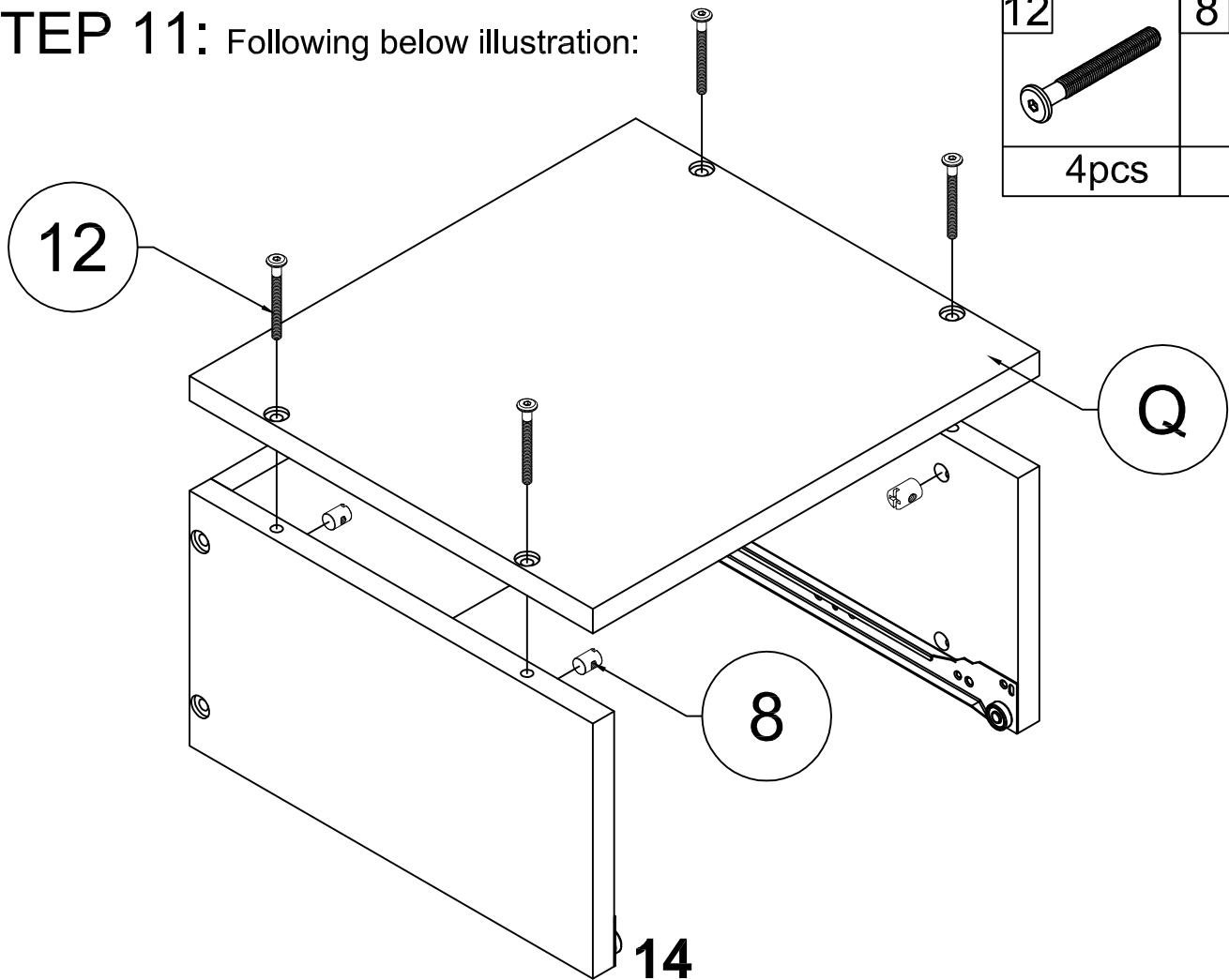


4pcs

8

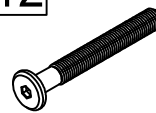


4pcs



# STEP 12: Following below illustration:

12

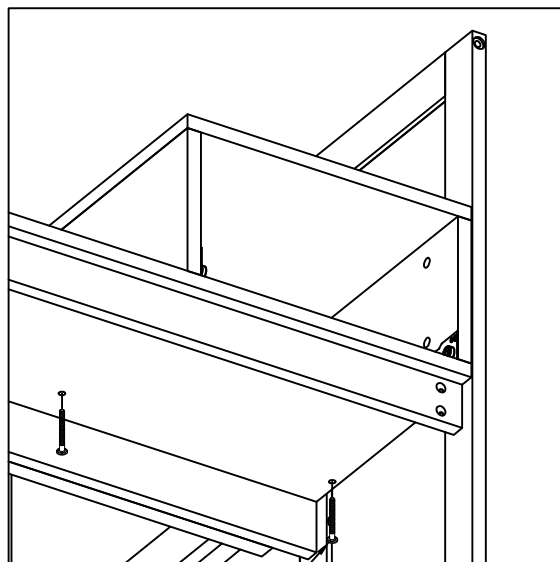


4pcs

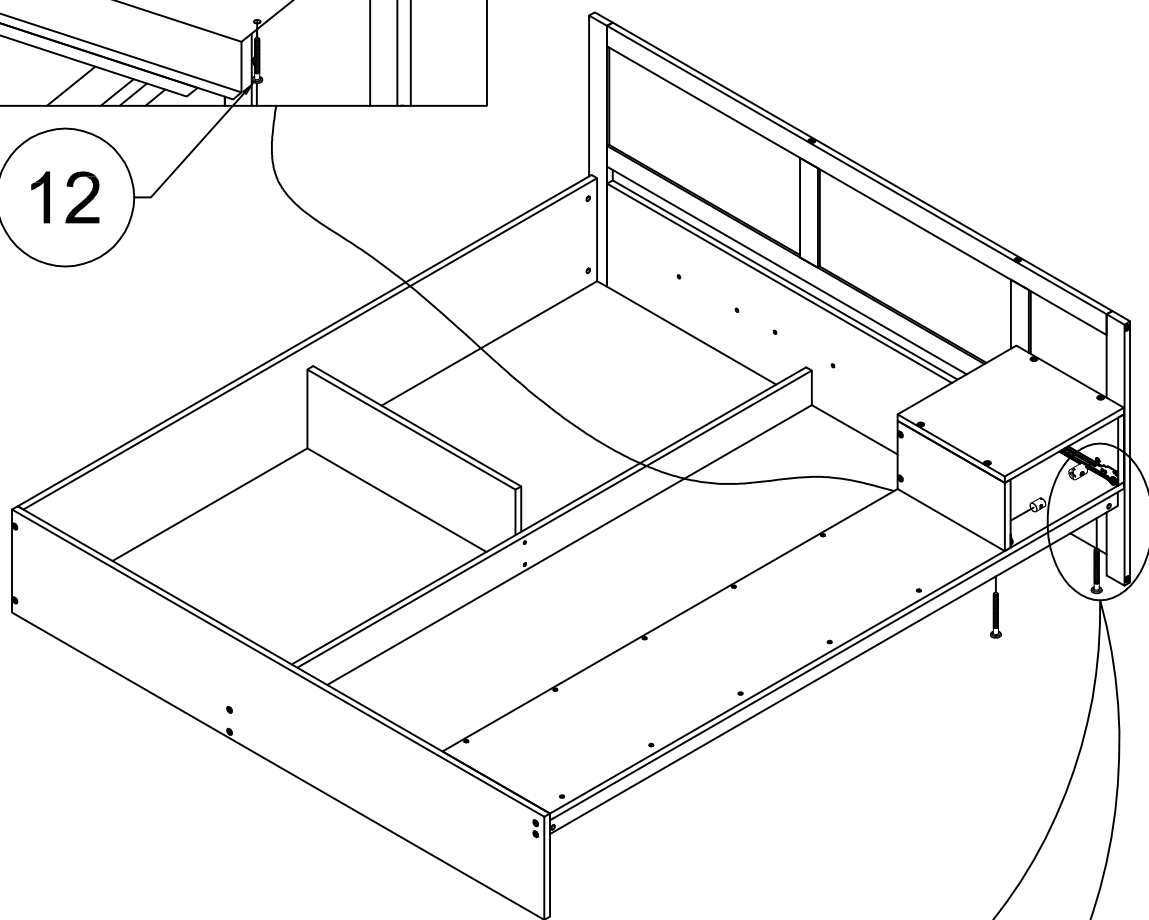
8



4pcs



12

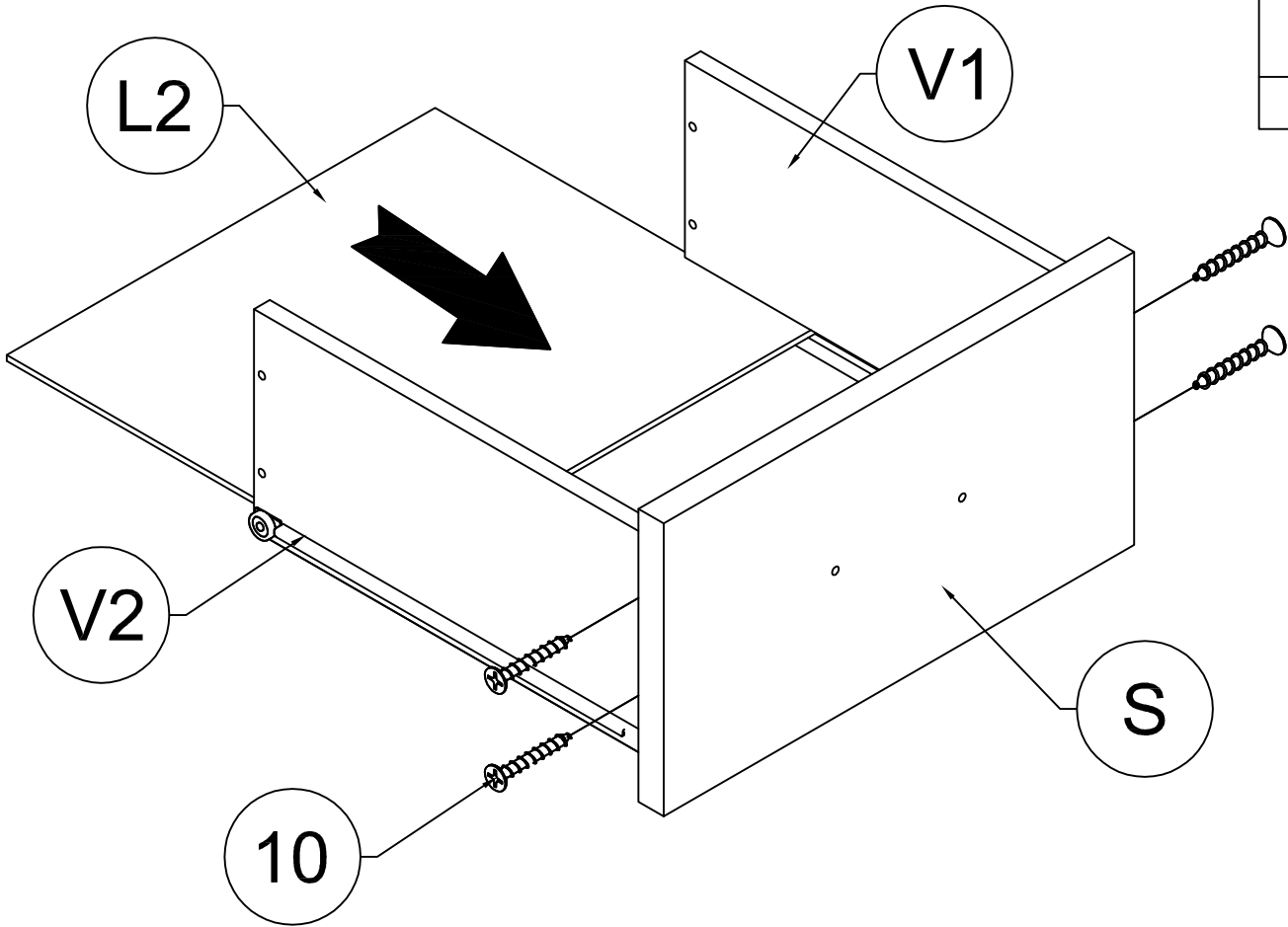


8

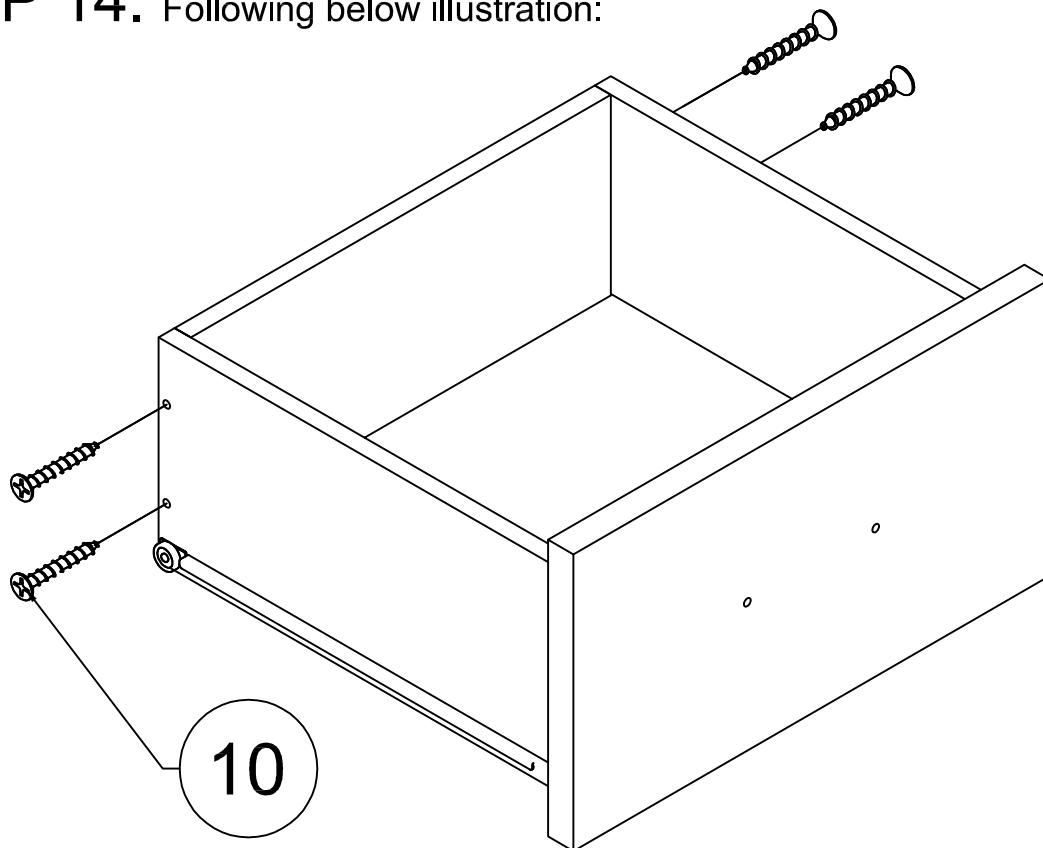
12

15

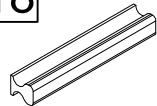
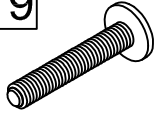
**STEP 13:** Following below illustration:

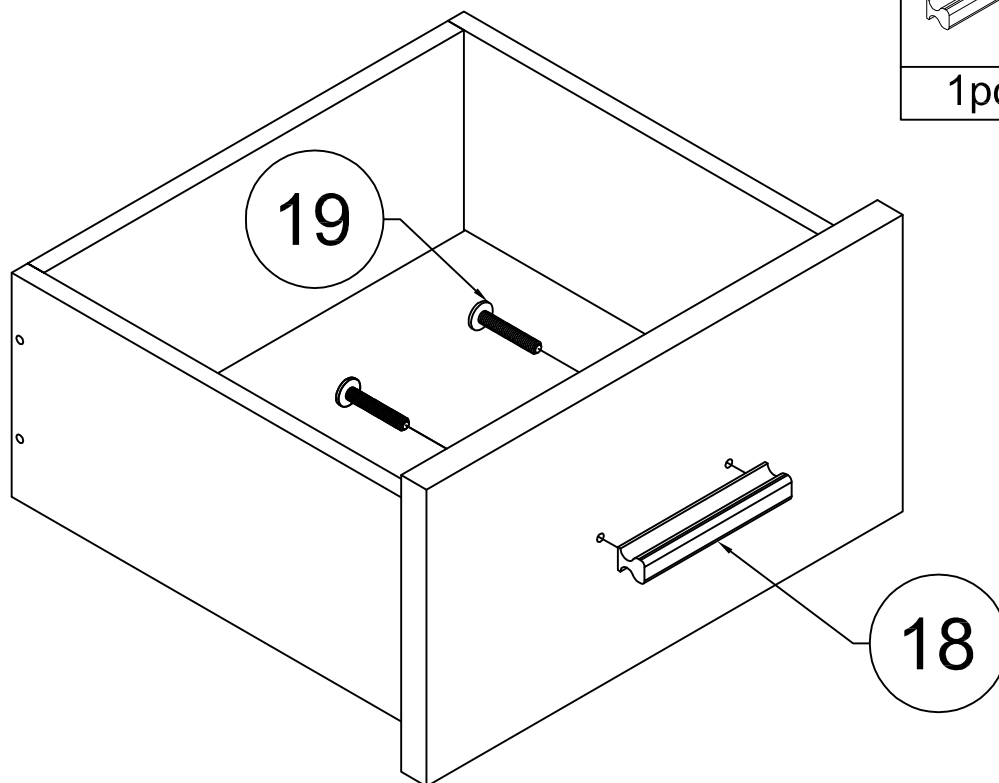


**STEP 14:** Following below illustration:

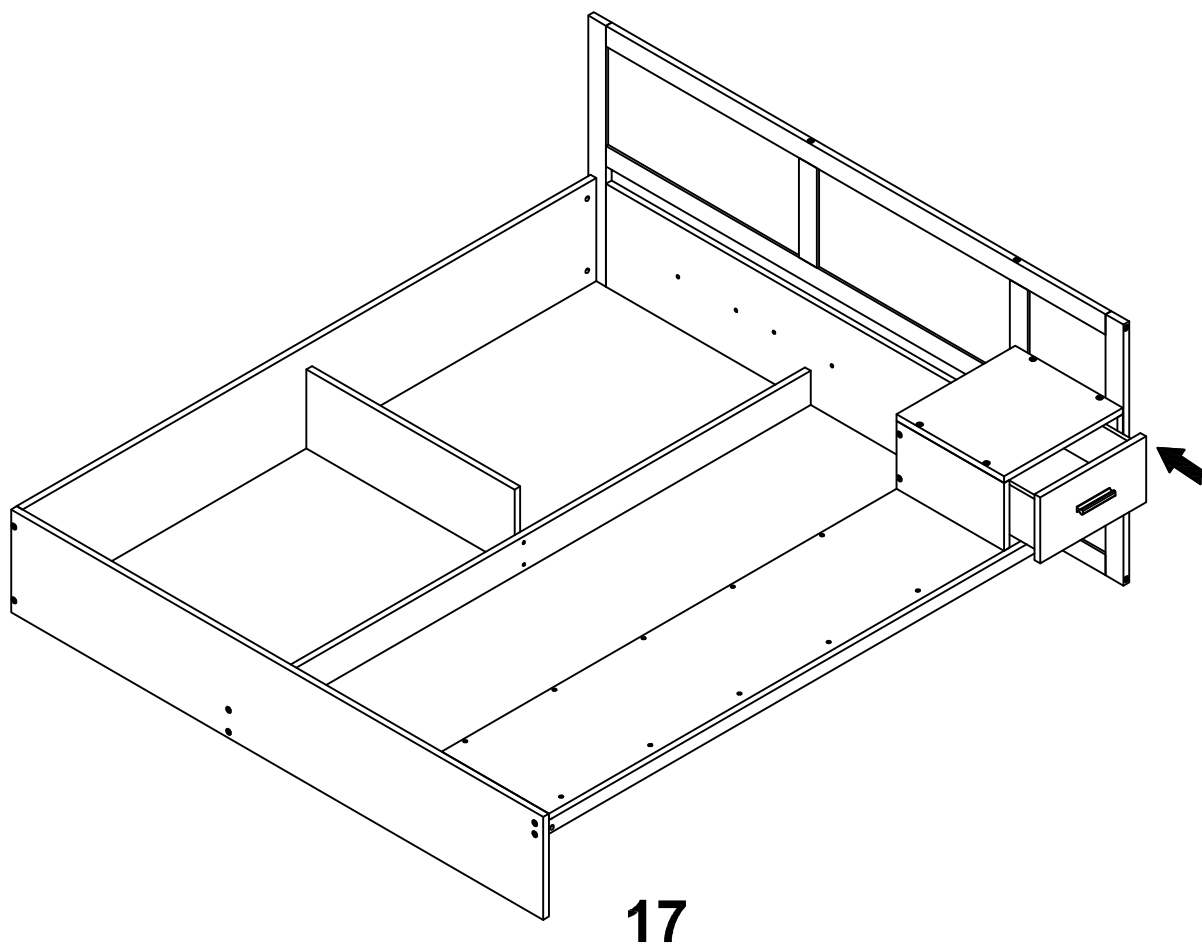


**STEP 15:** Following below illustration:

18		19	
1pc		2pcs	

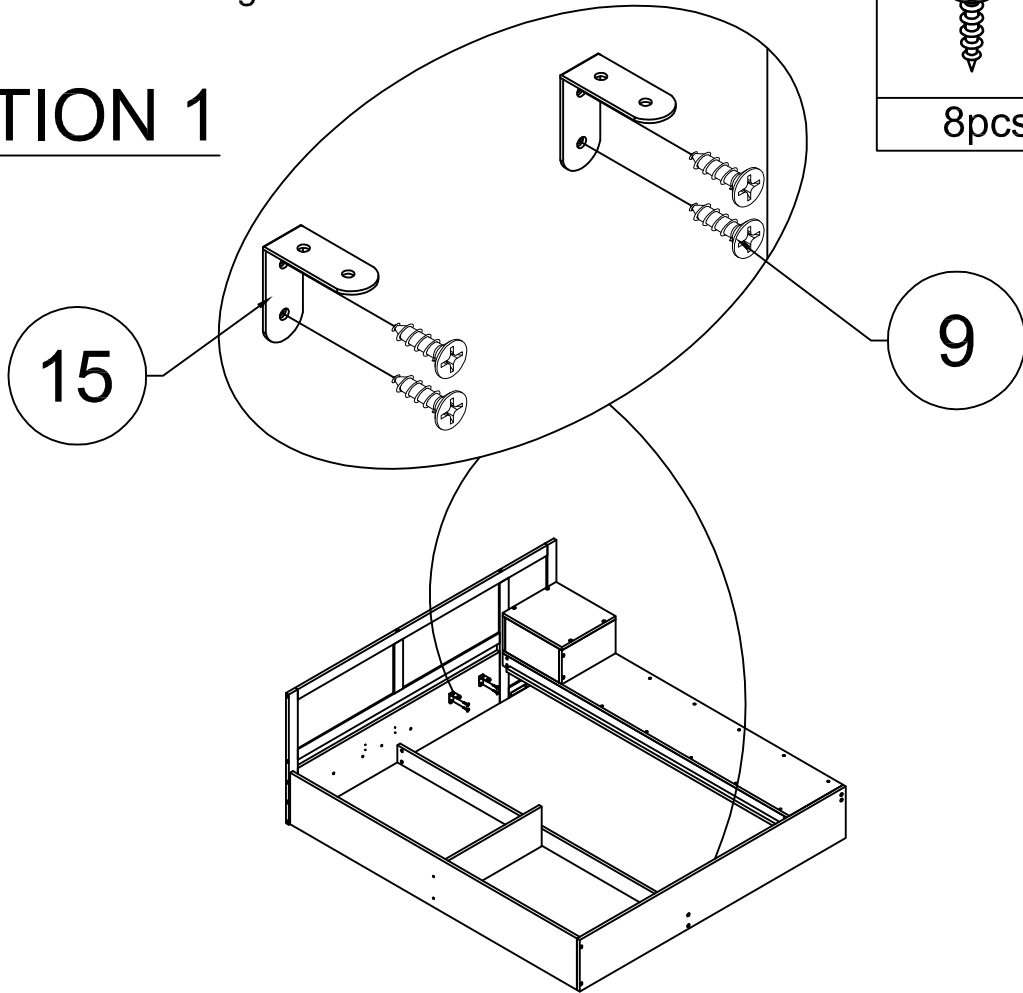



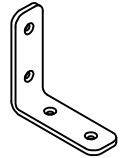
**STEP 16:** Following below illustration:



**STEP 17-1:** Following below illustration:

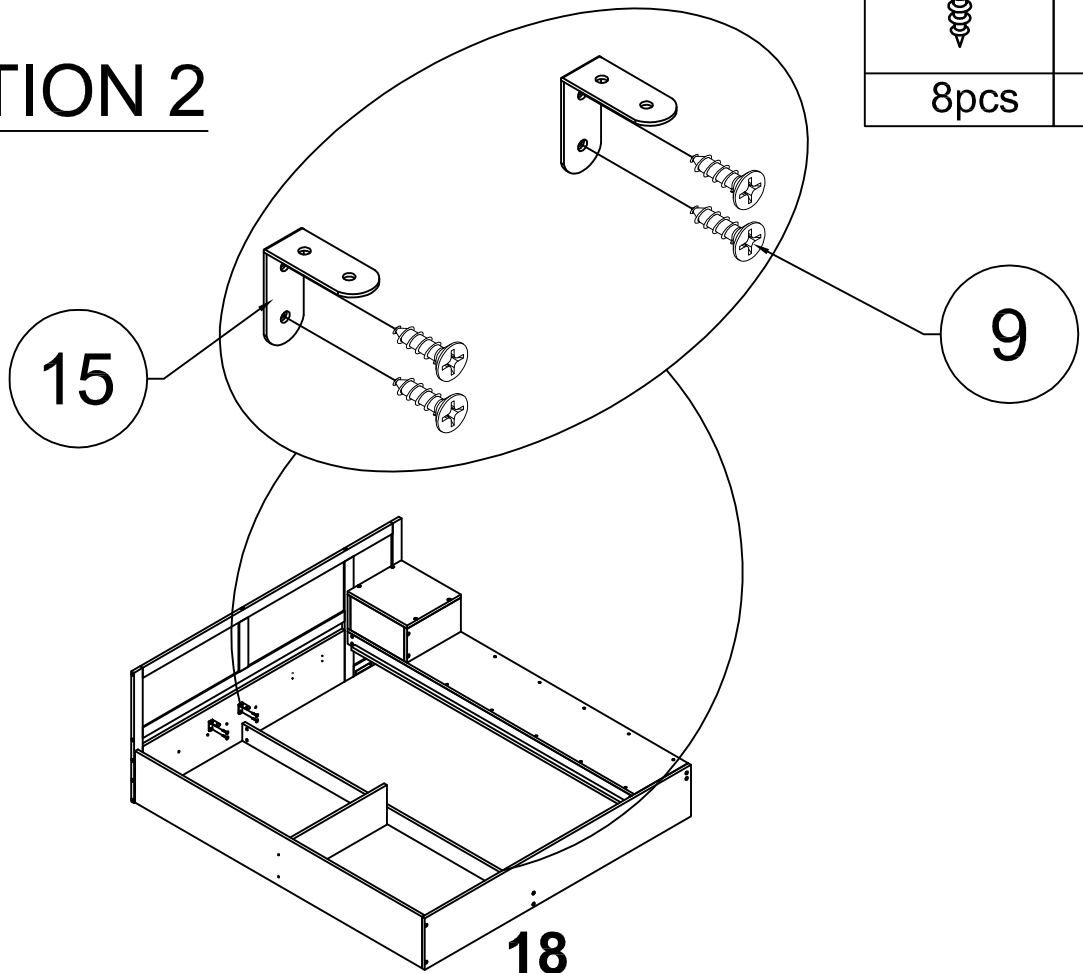
**OPTION 1**


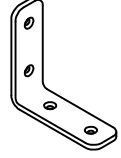


9	15
	
8pcs	4pcs

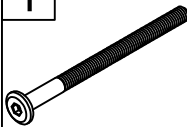

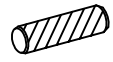
**STEP 17-2:** Following below illustration:

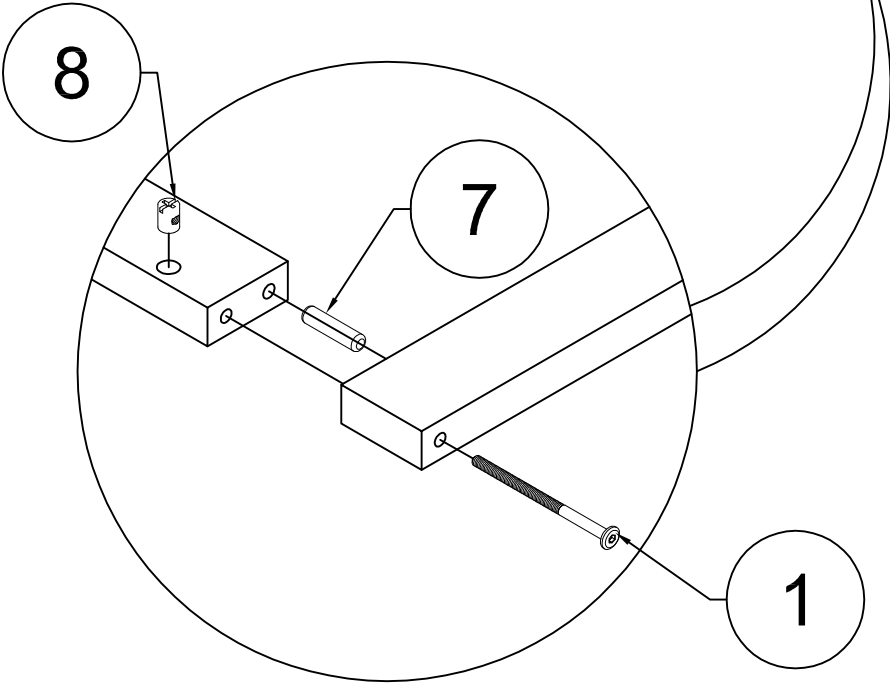
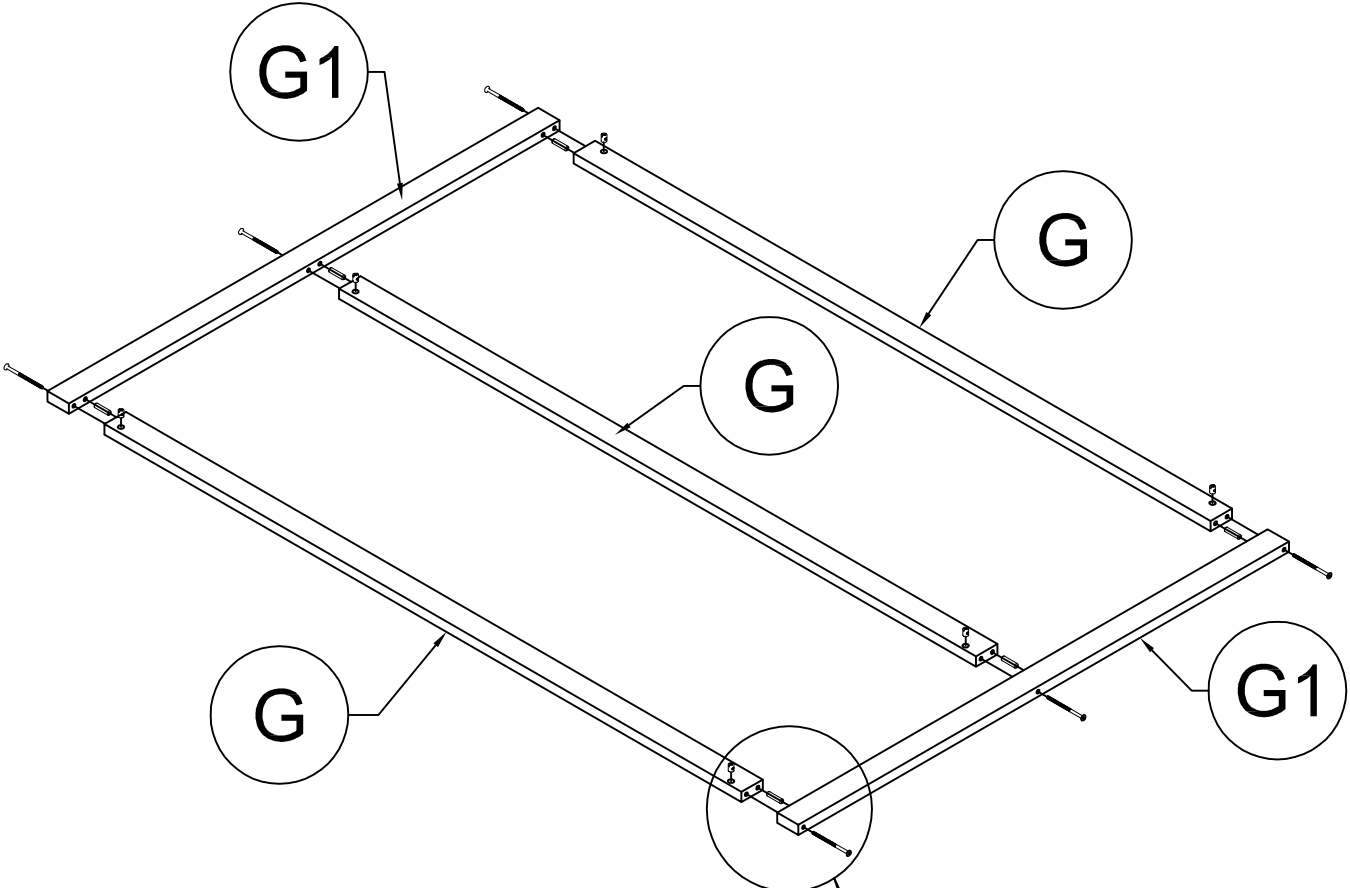
**OPTION 2**






9	15
	
8pcs	4pcs

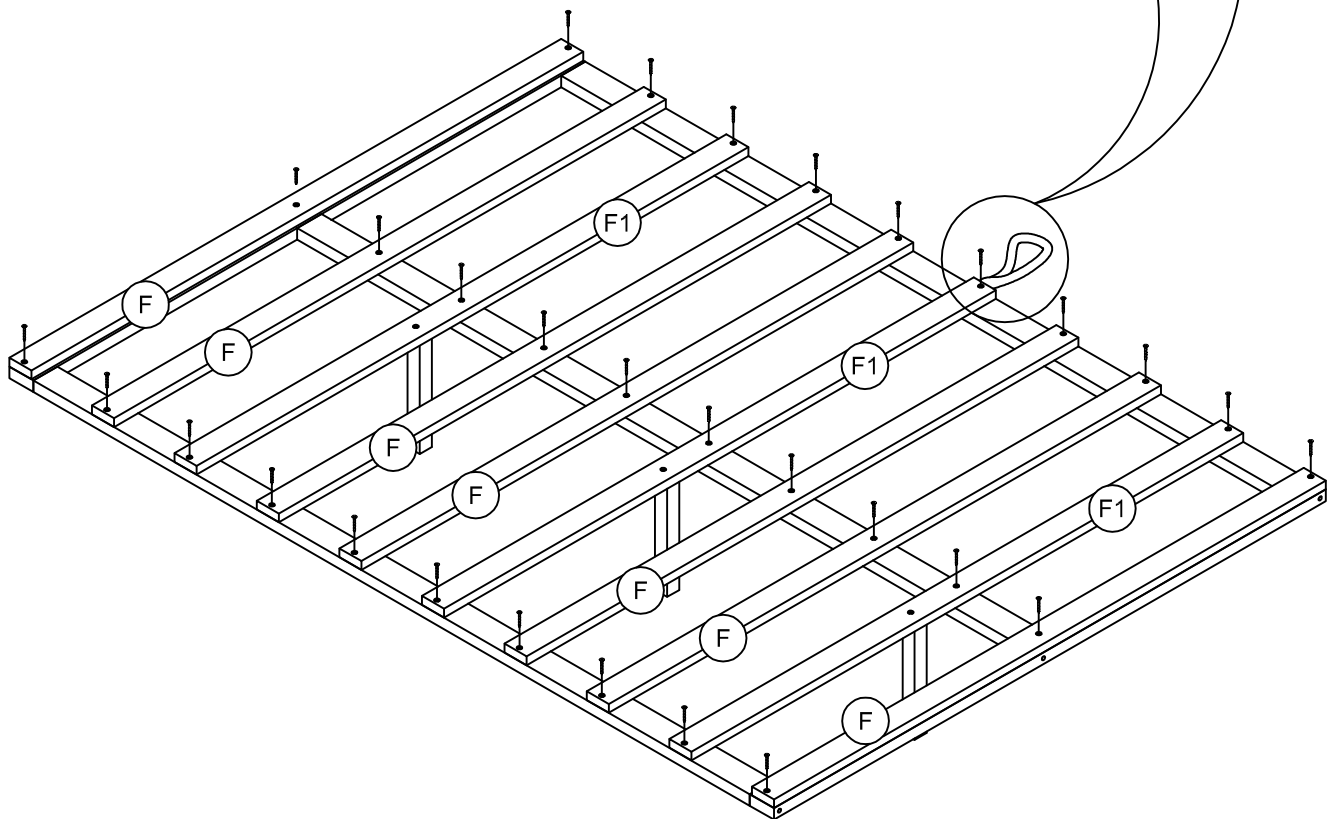
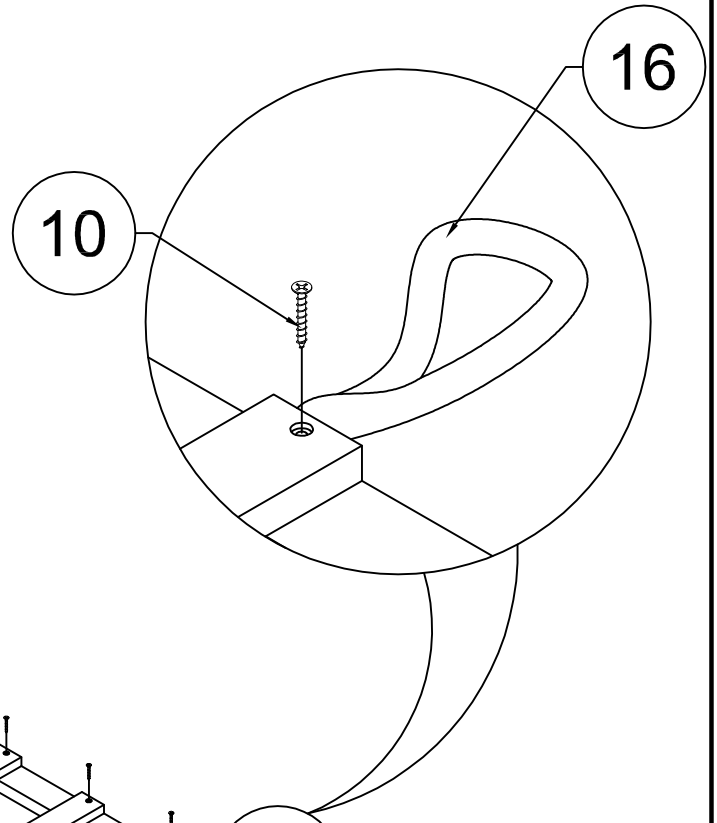
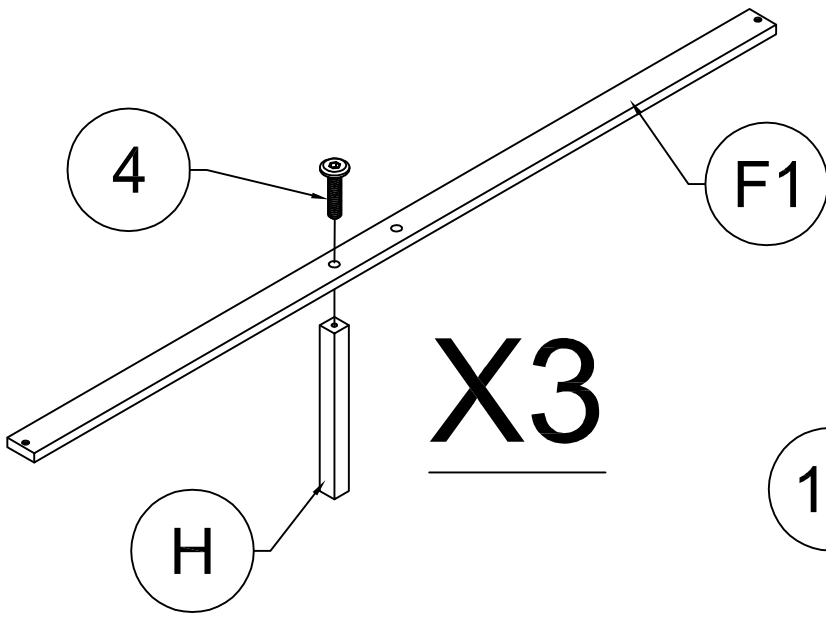
**STEP 18:** Following below illustration:

1	8	7
		
6pcs	6pcs	6pcs



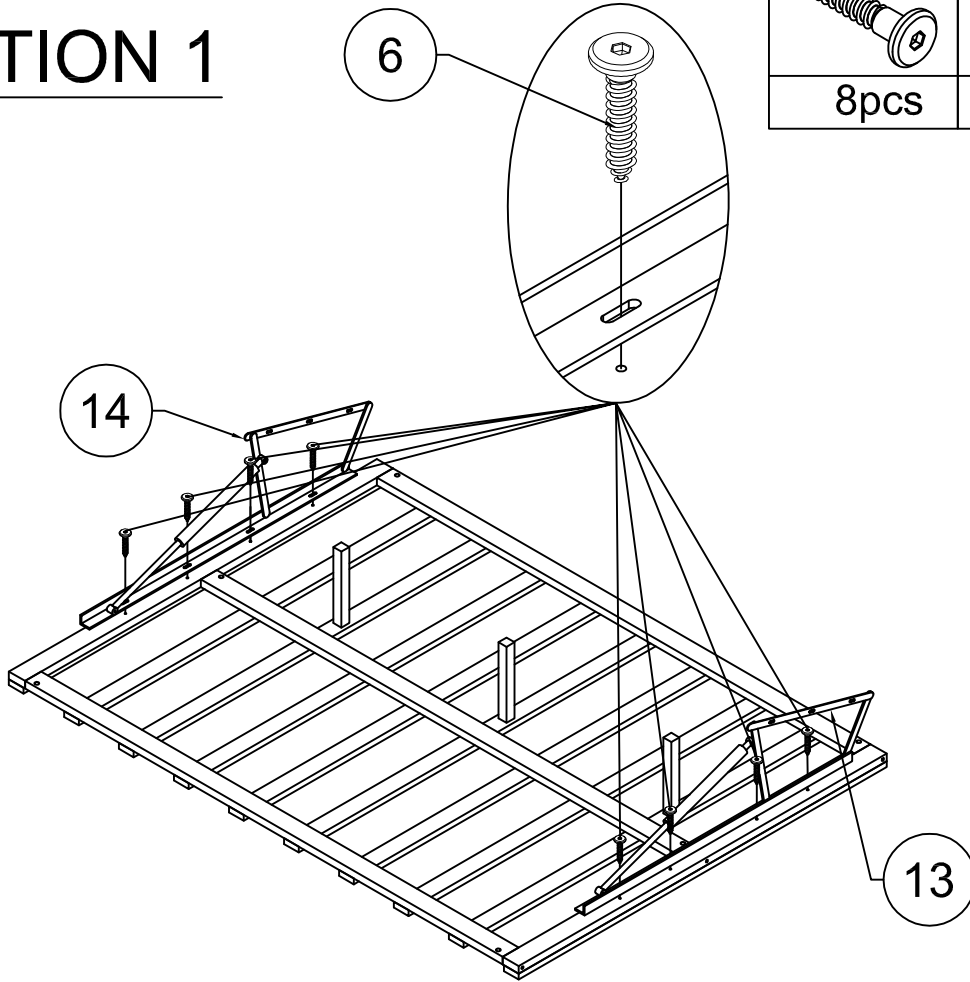
# STEP 19: Following below illustration:


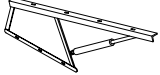

4	10	16
		
3pcs	30pcs	1pcs



STEP 20-1: Following below illustration:

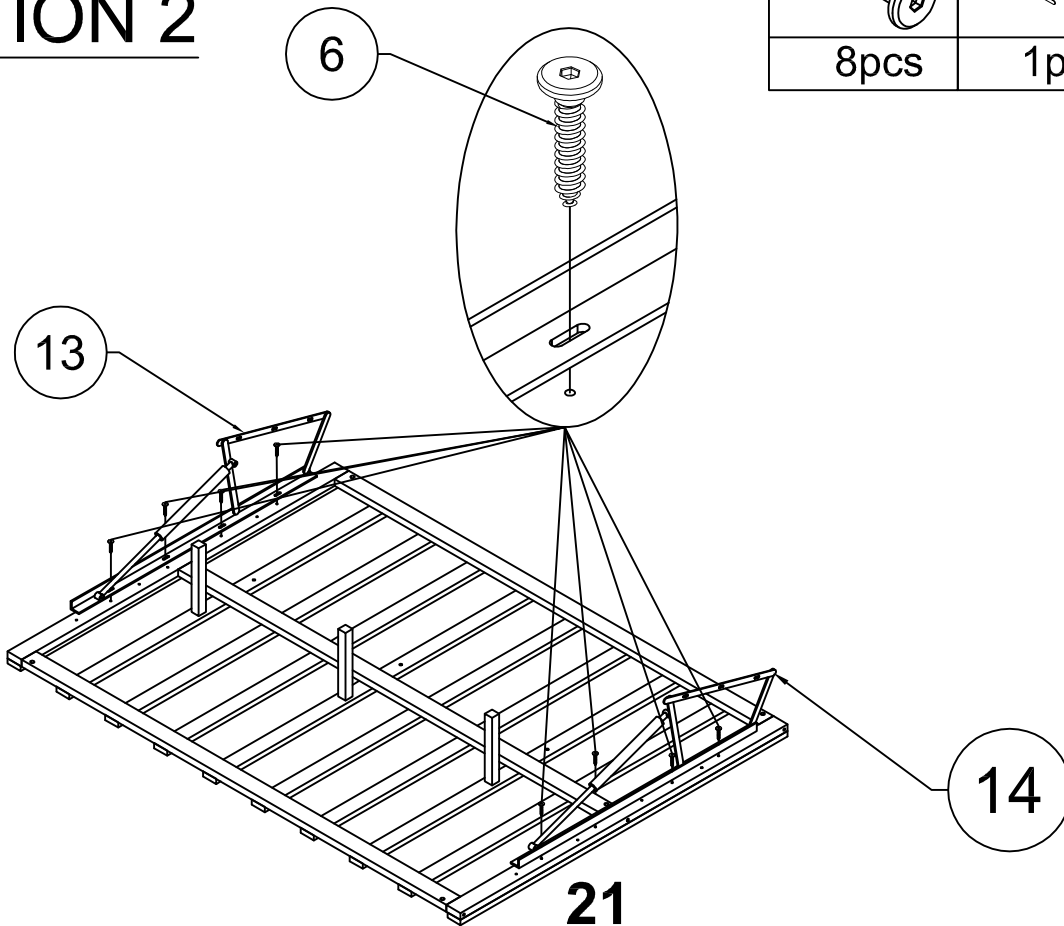
OPTION 1

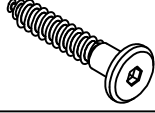
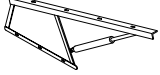
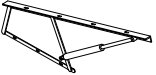


6	13	14
		
8pcs	1pcs	1pcs

STEP 20-2: Following below illustration:

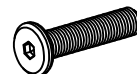
OPTION 2



6	13	14
		
8pcs	1pcs	1pcs

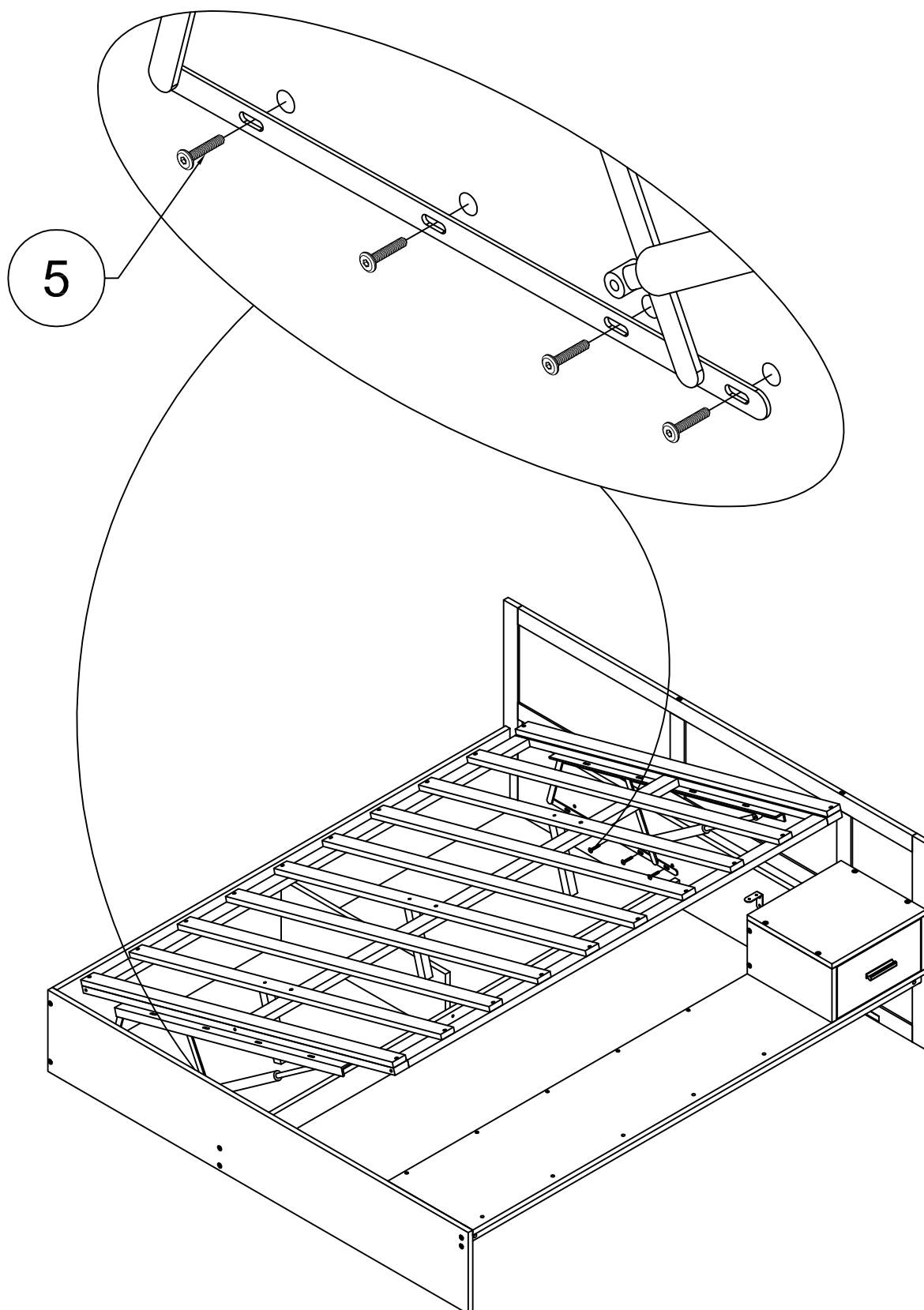
**STEP 21:** Following below illustration:

5



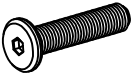
8pcs

## OPTION 1



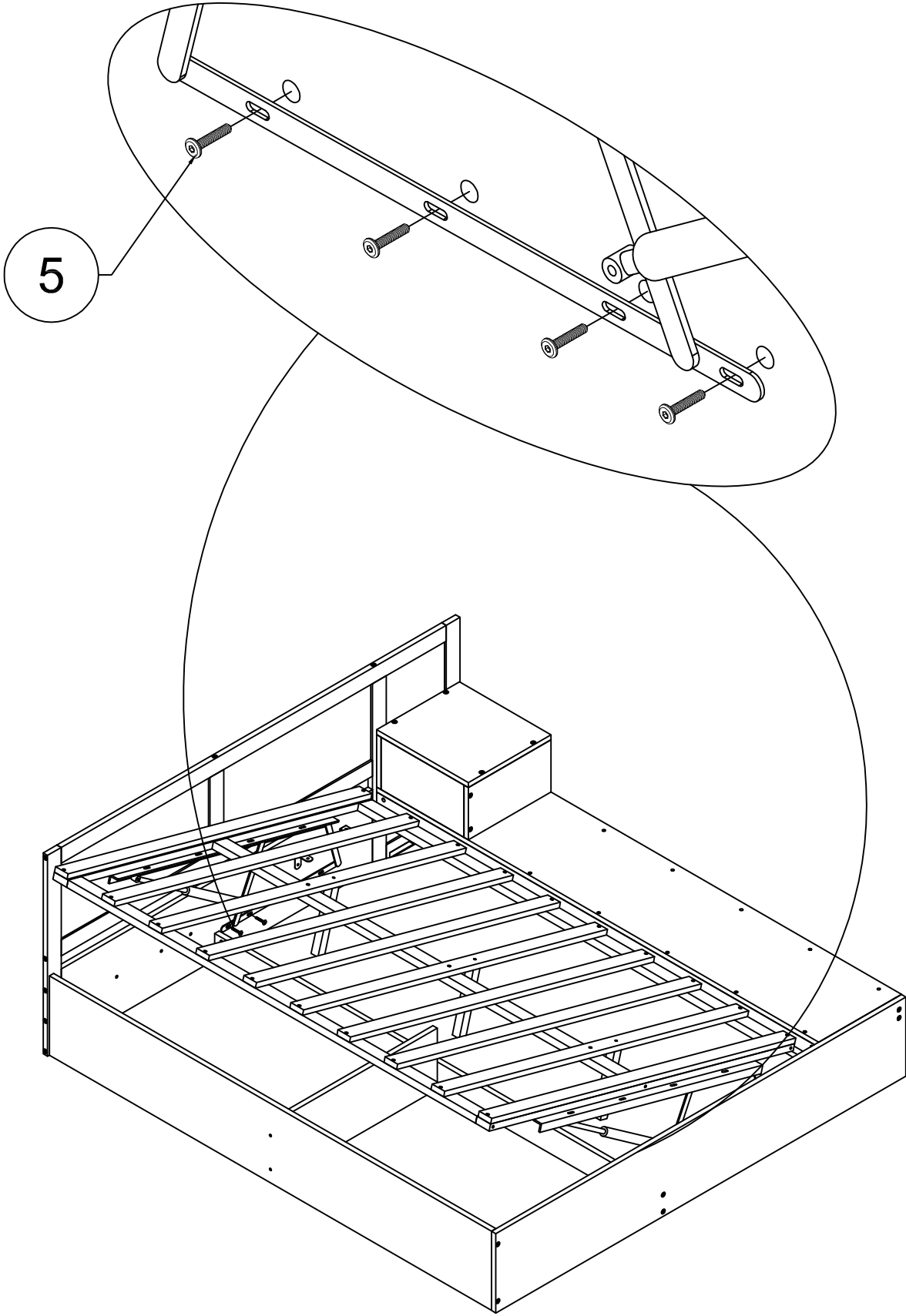
STEP 22: Following below illustration:

5


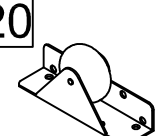


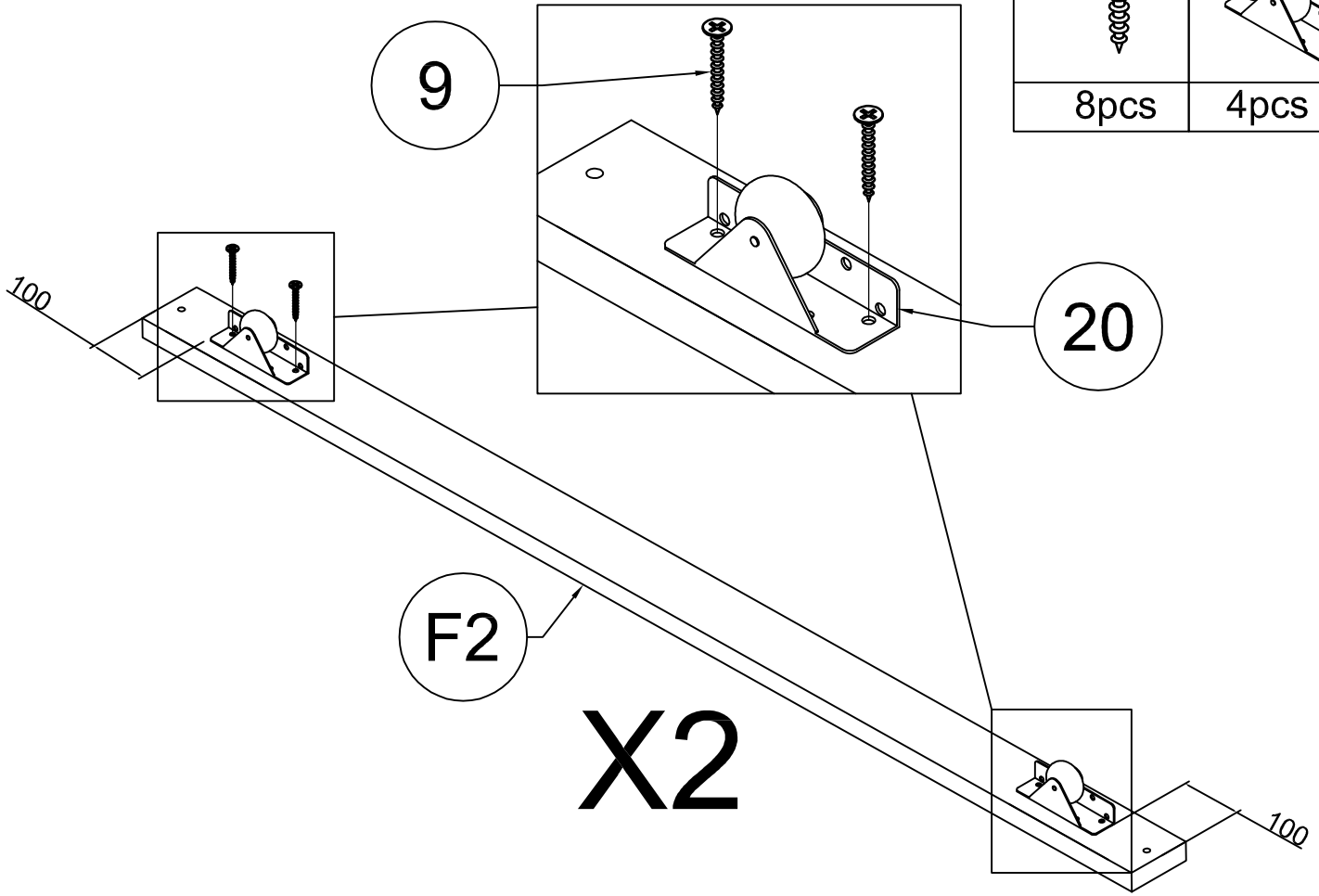
8pcs

OPTION 2




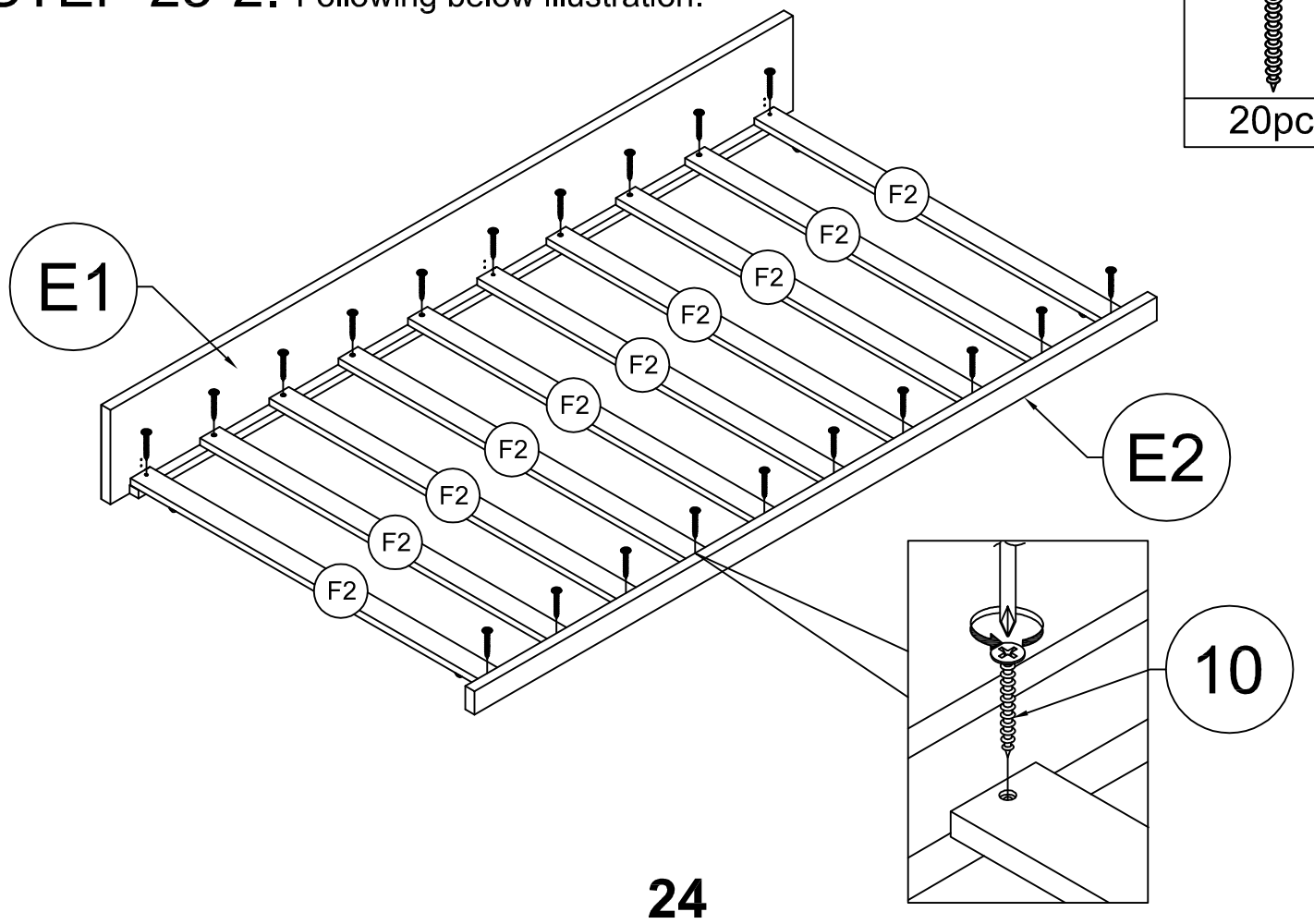
**STEP 23-1:** Following below illustration:

9		20	
8pcs		4pcs	






**STEP 23-2:** Following below illustration:

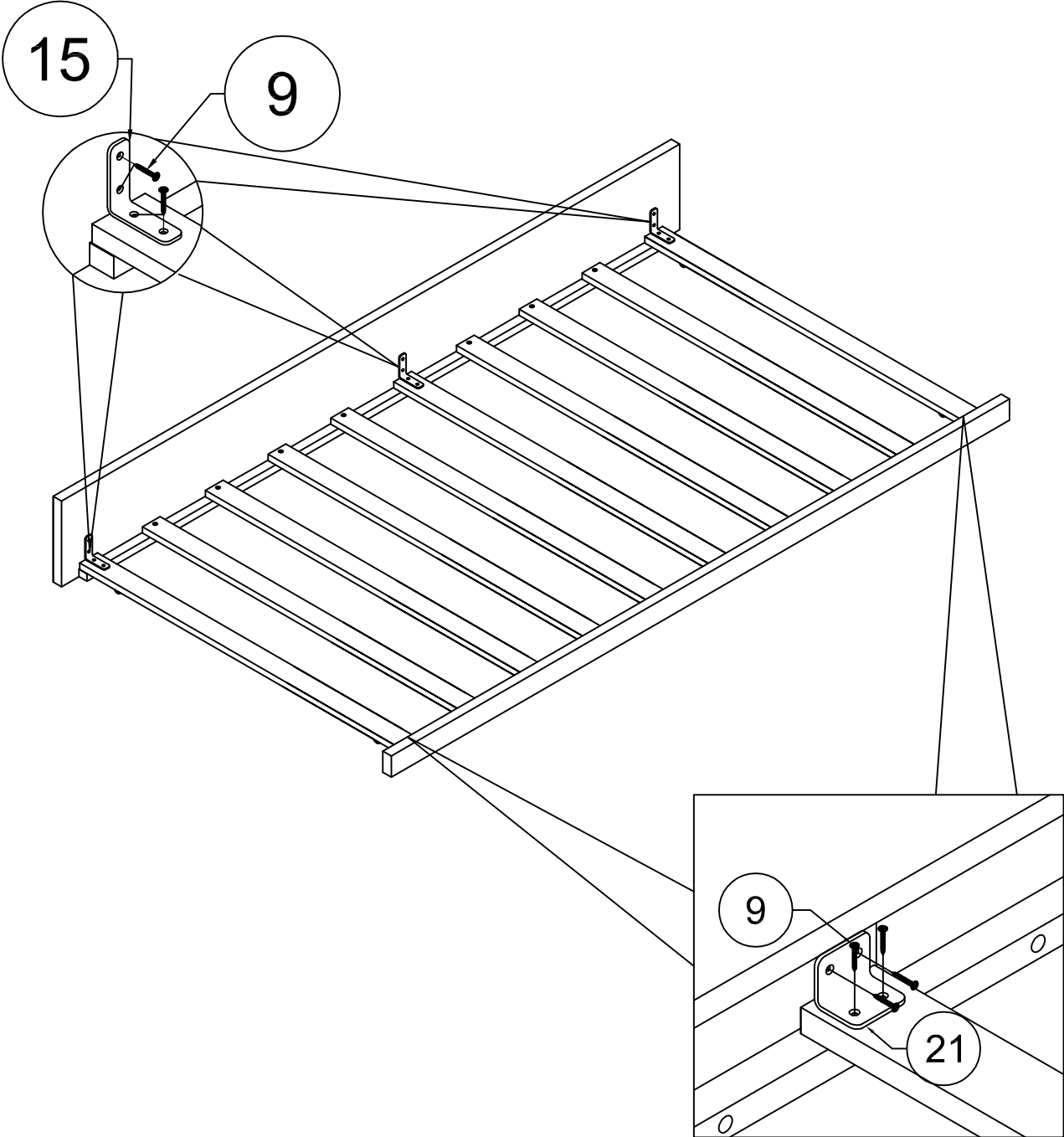
10	
20pcs	



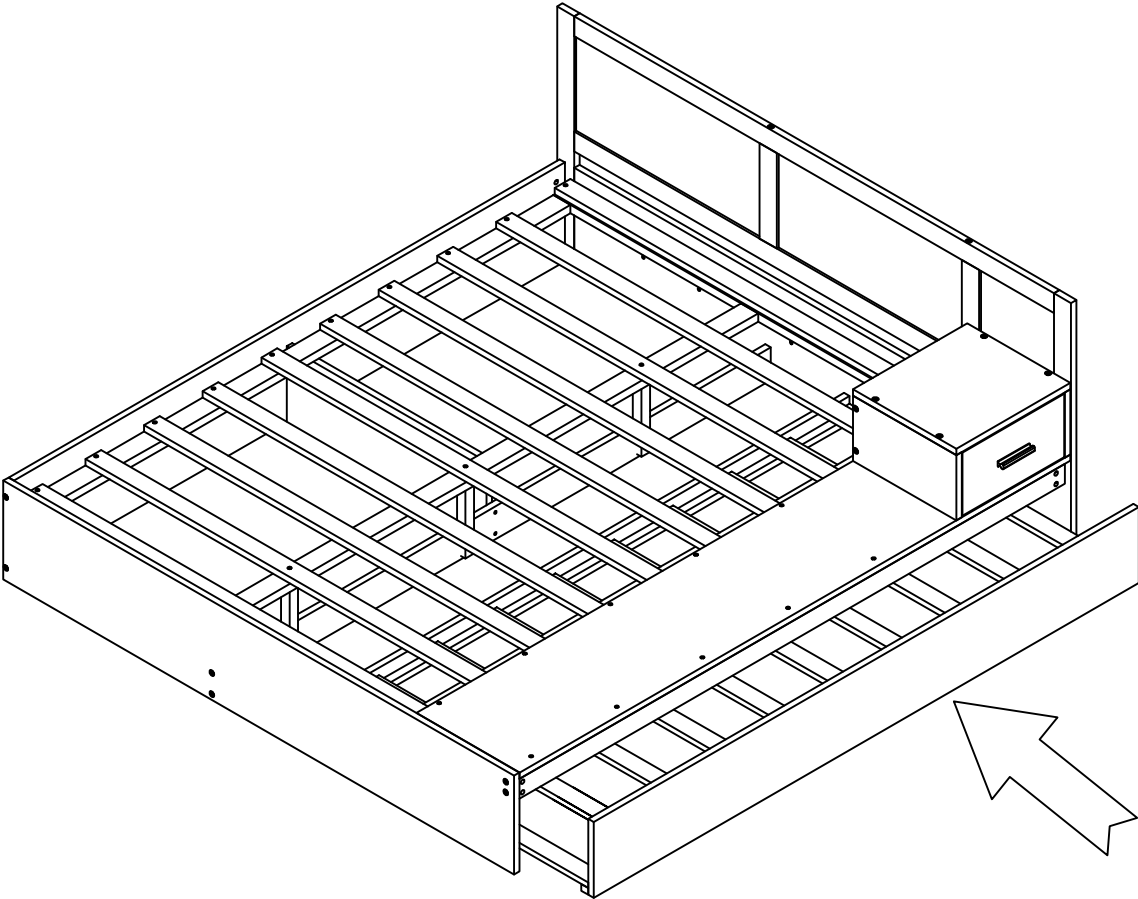
24

**STEP 24:** Following below illustration:

15	9	21
		
3pcs	20pcs	2pcs



**STEP 25:** Following below illustration:

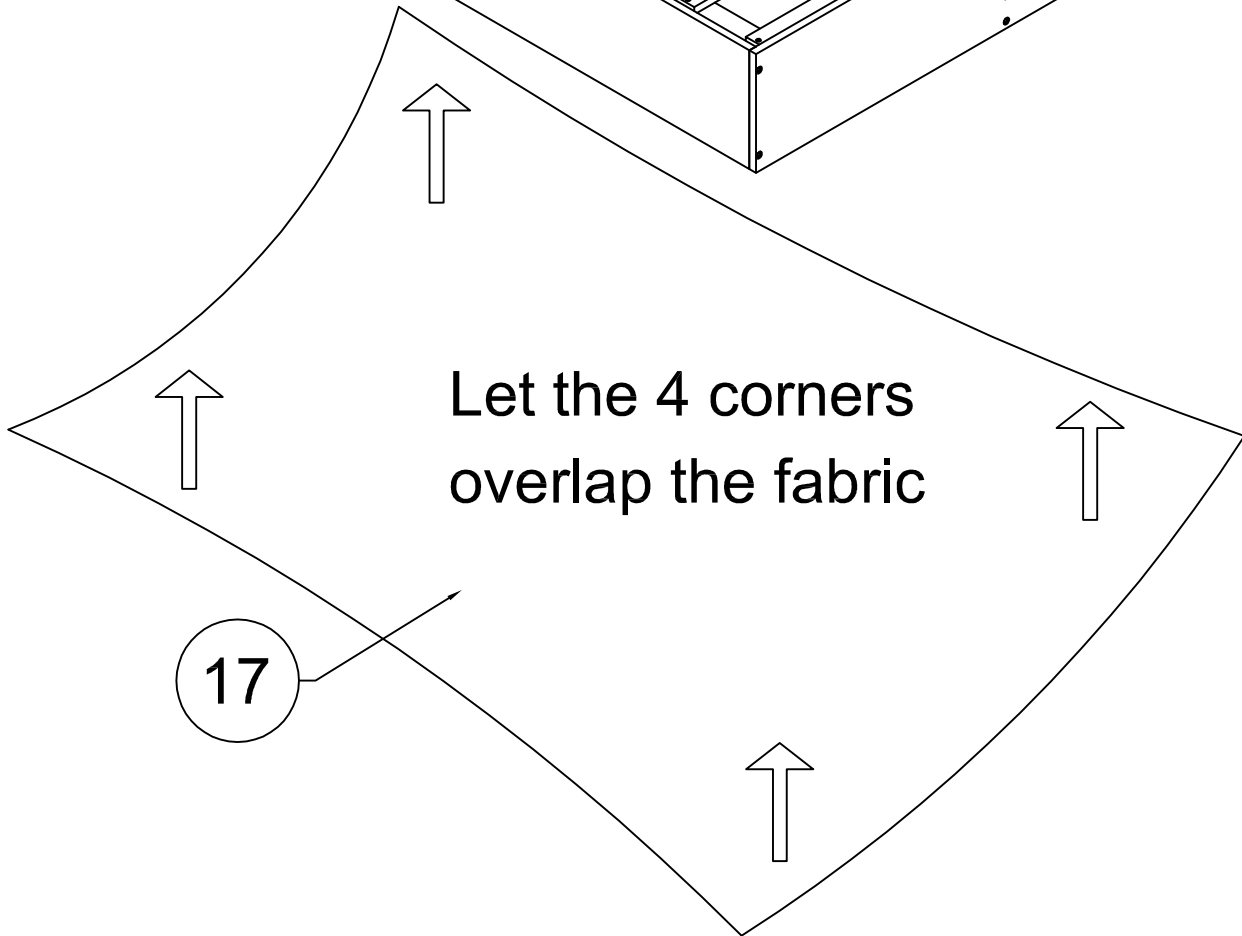
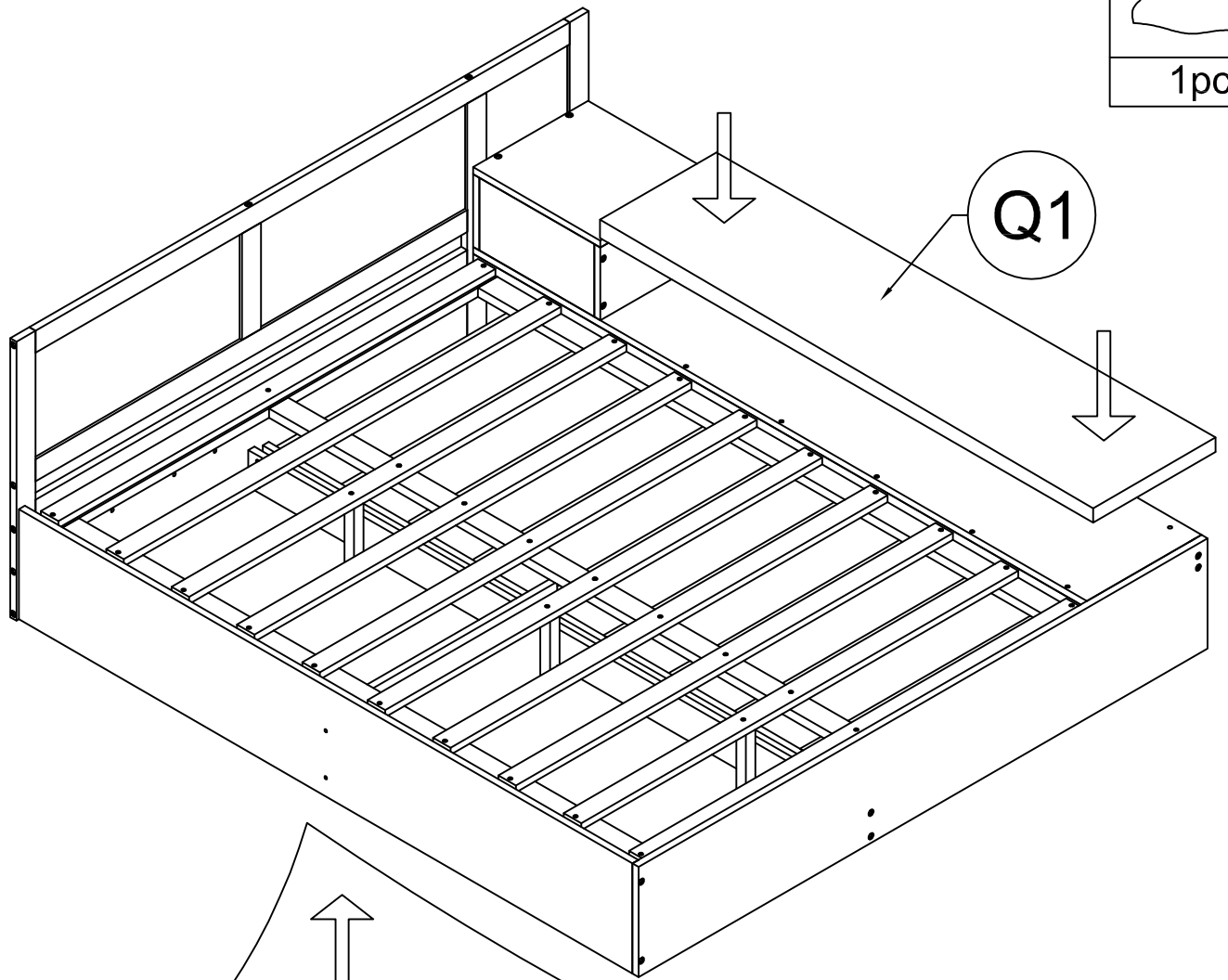


**STEP 26:** Following below illustration:

17



1pc



# FINISH

---

