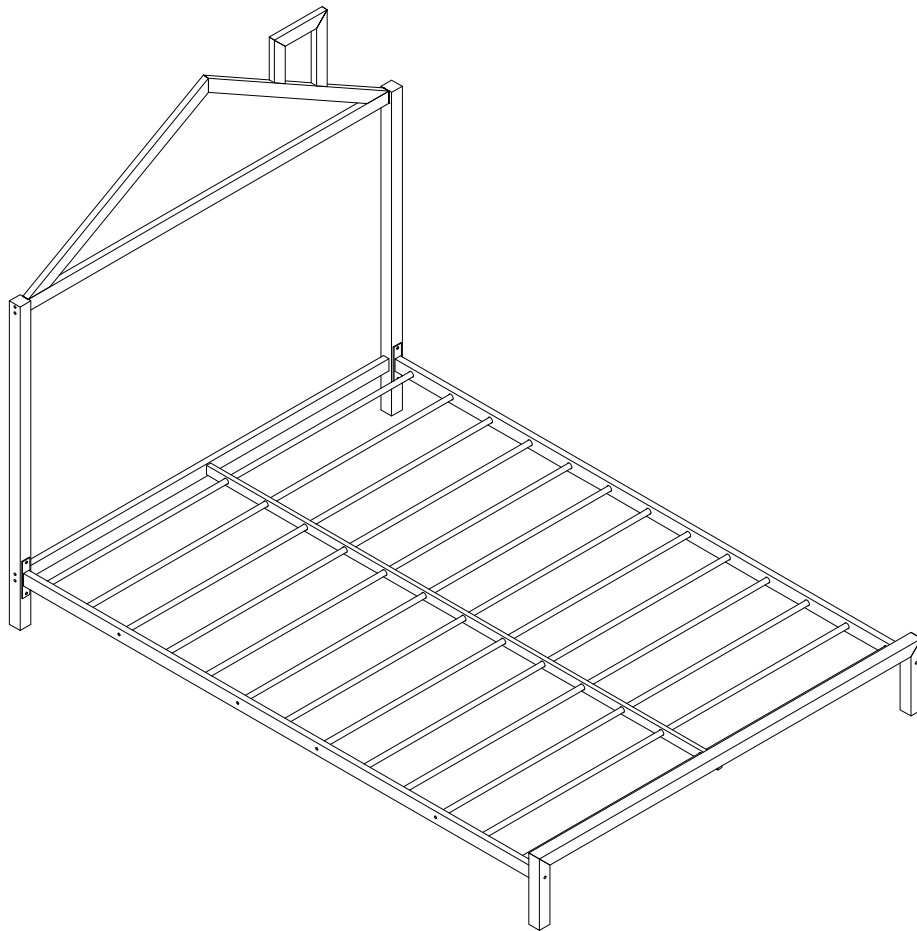
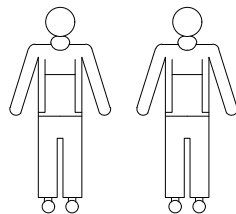


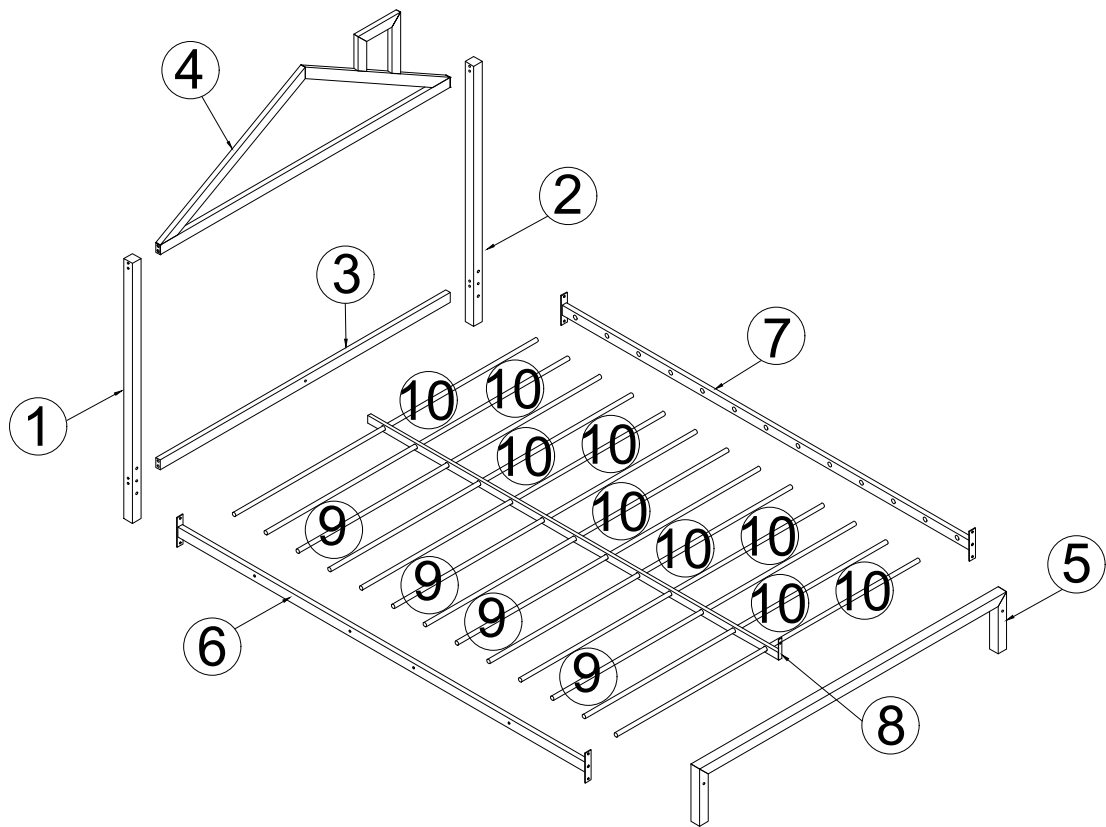
ASSEMBLY INSTRUCTION

MF316616



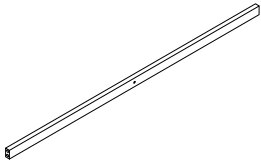
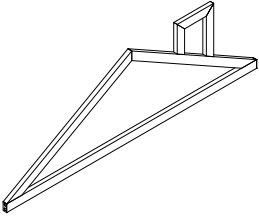
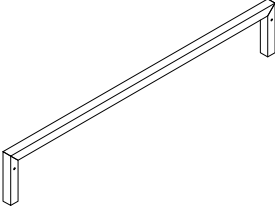
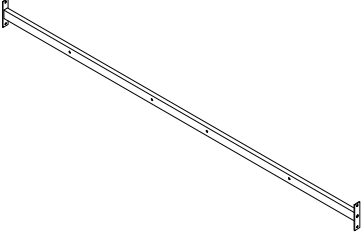
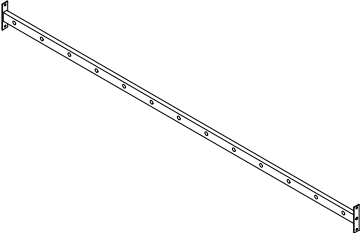
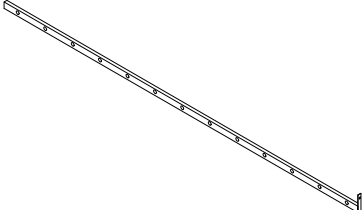
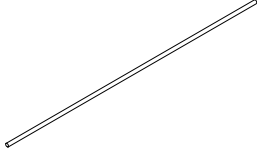
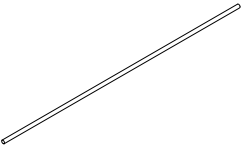


Minimum no. 2 of people
recommended to assemble
this product: Approx.
assembly time: 60 mins

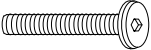



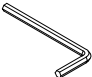






PART LIST MF316616

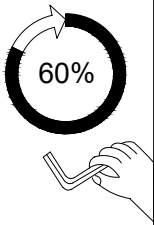
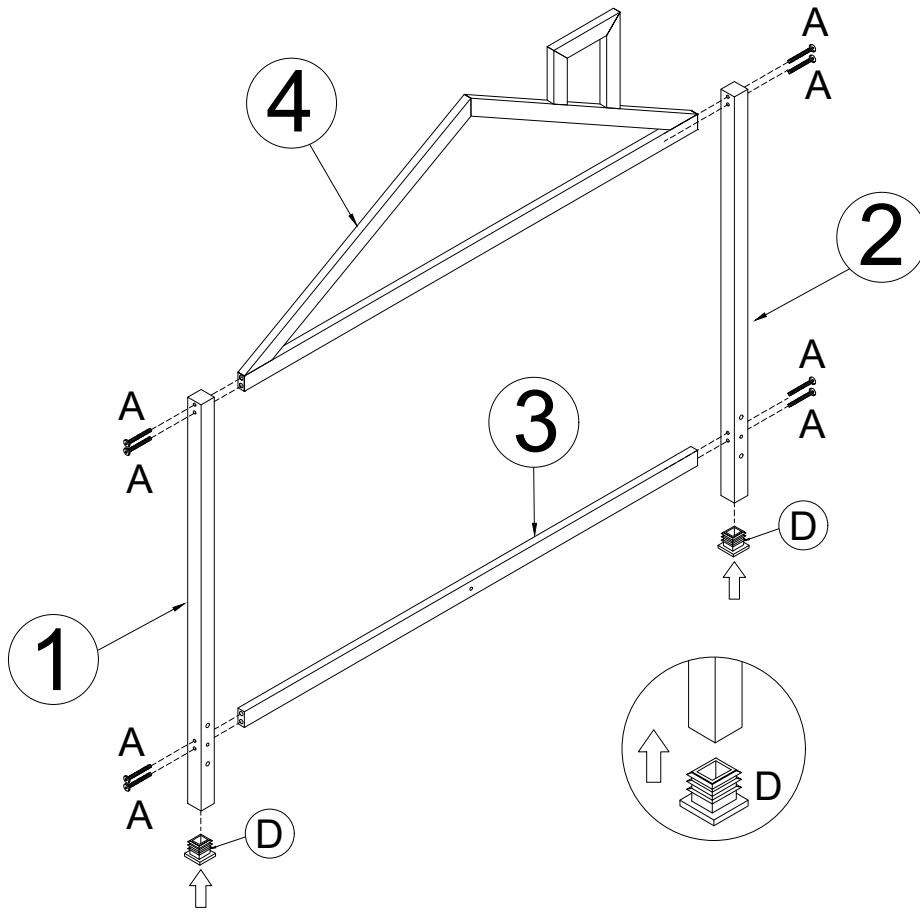
<p>1</p>  <p>1PC</p>	<p>2</p>  <p>1PC</p>	<p>3</p>  <p>1PC</p>
<p>4</p>  <p>1PC</p>	<p>5</p>  <p>2PCS</p>	<p>6</p>  <p>1PC</p>
<p>7</p>  <p>1PC</p>	<p>8</p>  <p>1PC</p>	<p>9</p>  <p>4PCS</p>
<p>10</p>  <p>9PCS</p>		

HARDWARE LIST MF316616


<p>A</p>  <p>12PCS M$\frac{1}{4}$"X55</p>	<p>B</p>  <p>1PC M$\frac{1}{4}$"X35</p>	<p>C</p>  <p>17PCS M$\frac{1}{4}$"X15</p>	<p>D</p>  <p>4PCS #40x40x16</p>
<p>E</p>  <p>1PC M4X23X57</p>			

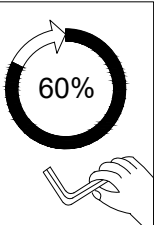
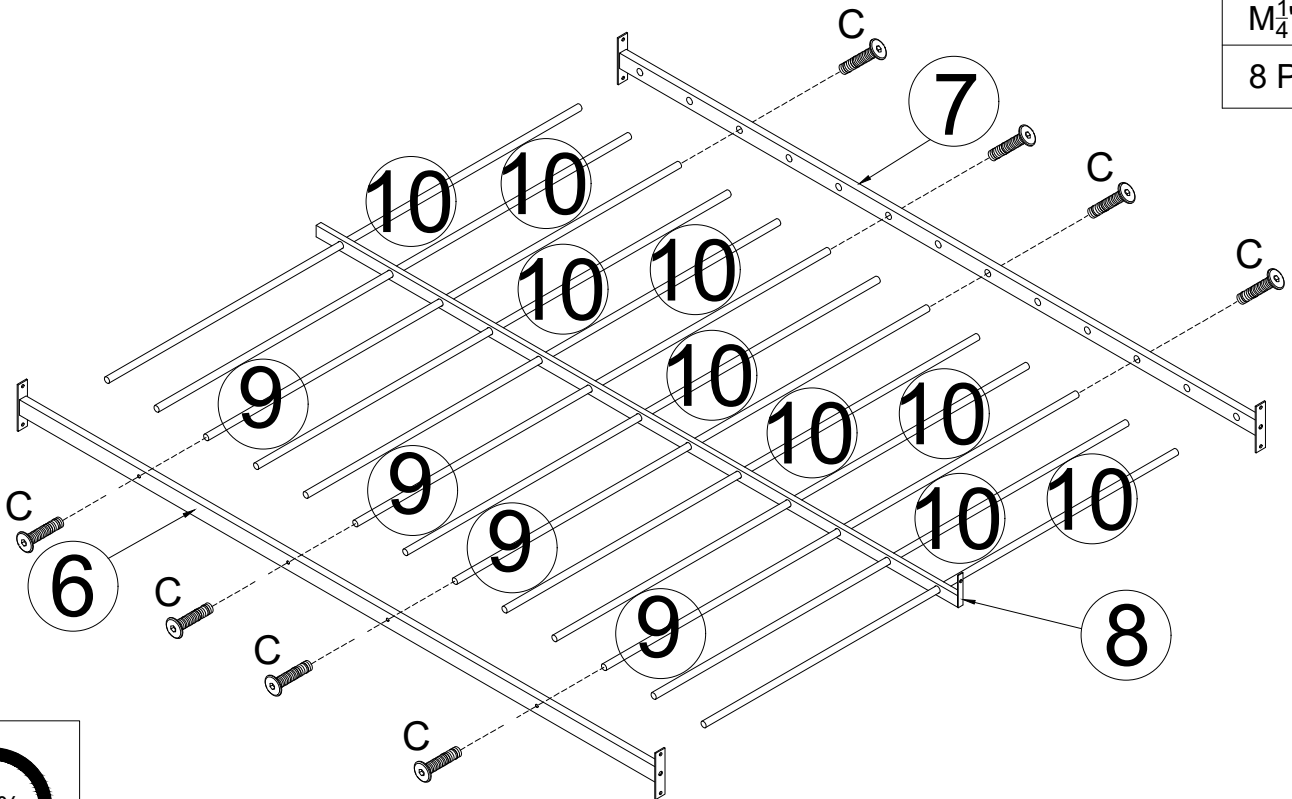
STEP 1

A	D
	
M $\frac{1}{4}$ 'x55	#40x40x16
8 PCS	2 PCS







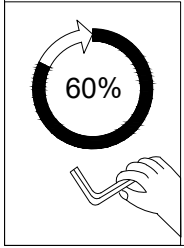
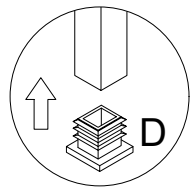
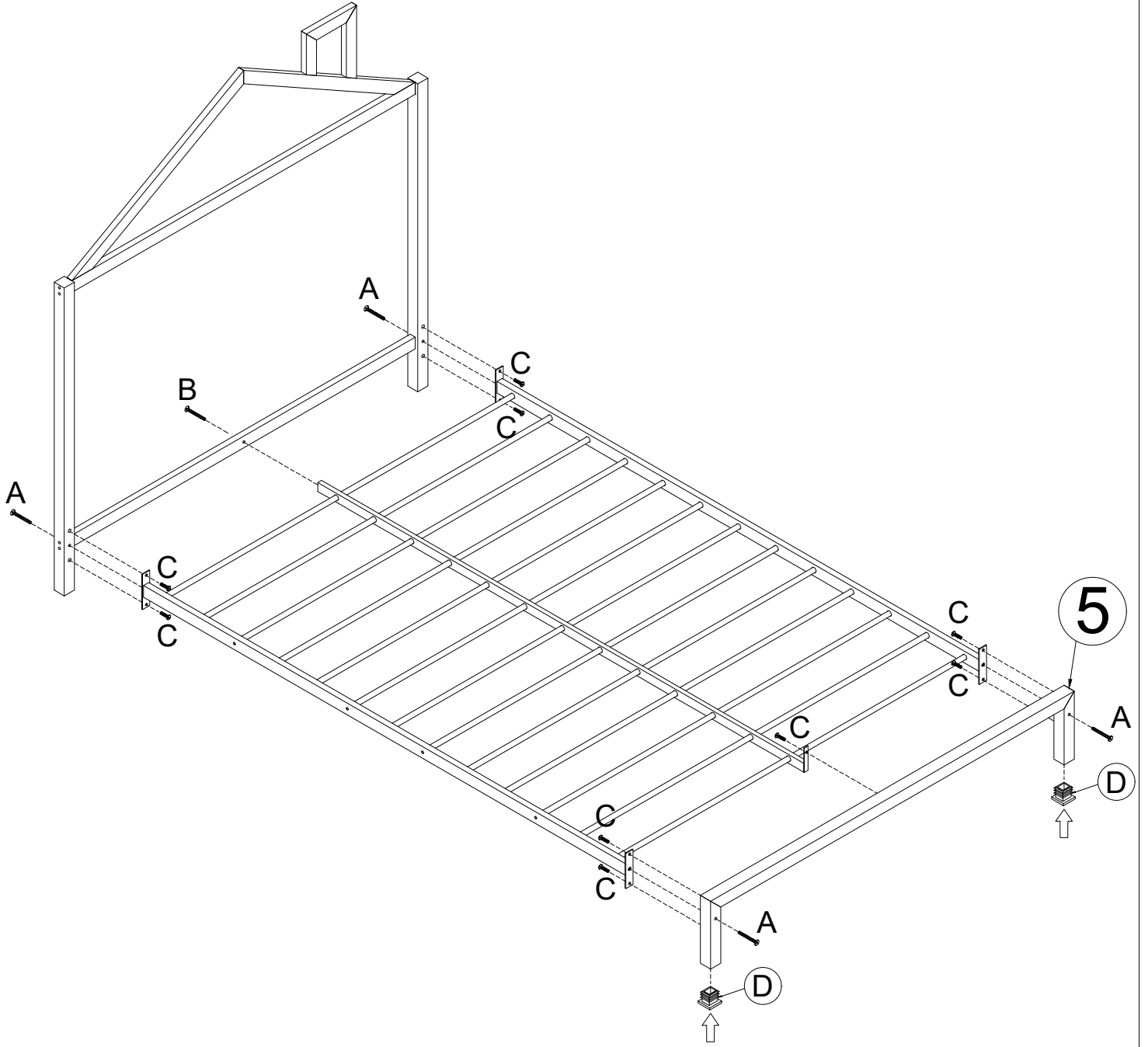
STEP 2

C

M $\frac{1}{4}$ 'x15
8 PCS



STEP 3

A	B	C	D
			
M $\frac{1}{4}$ "x55	M $\frac{1}{4}$ "x35	M $\frac{1}{4}$ "x15	#40x40x16
4 PCS	1 PC	9 PCS	2 PCS



STEP 4

