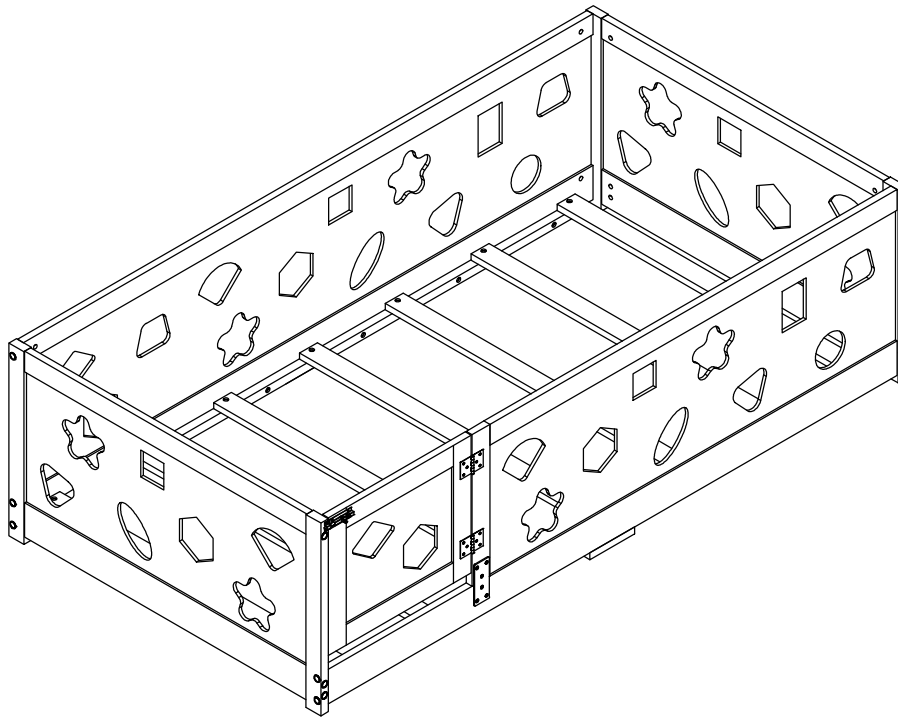


Fence Floor Bed (BEDT089B77)



General Guidelines

- Please read the following instruction carefully and use the product accordingly.
- Please keep this manual and hand it over when you transfer the product.
- This summary may not include every detail of all variations and considered steps. Please contact us when further information and help are needed.






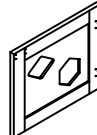

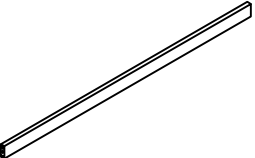
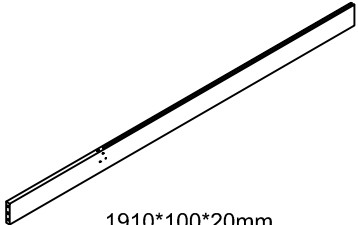
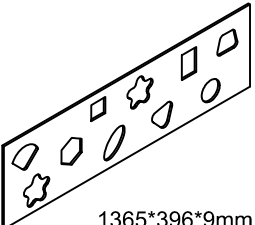
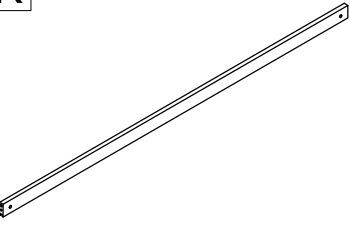
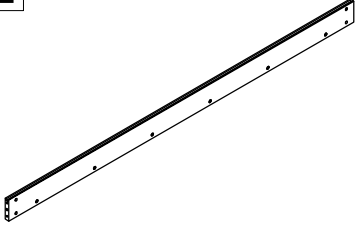
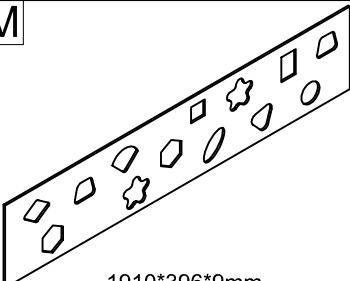
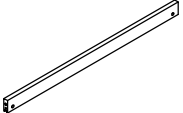

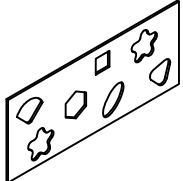
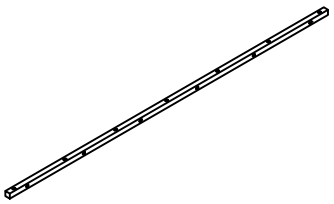
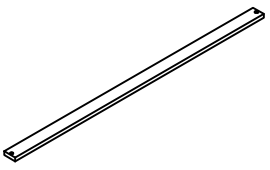
Notes

- The product is intended for indoor use only. The product must be assembled and used in accordance with the provisions of the manual. Personal injury and/or damage to product may occur if products are used outside of their intended purposes and/or if products have been changed/modified from their original design. The seller does not assume any responsibility or liability with respect to any injury/damage caused by incorrect assembly or improper use.
- Avoid long-term exposure to humid environments to prevent mildew.
- Keep the product away from fire sources and high temperatures. Do not expose the product to direct sunlight.
- Do not place any hot objects on the surface of the product.
- If there are any defective or missing parts after unpacking, please cease assembly immediately and contact us.
- Please assemble the item on a spacious surface and do not place the unwrapped product directly on the ground to avoid product damage.
- Please do not stand or sit on the wooden boards.
- Please wear gloves during the assembly and/or disassembly process to avoid scratches from any sharp edges.
- Please match the corresponding part and fitting based on the part number in the manual.
- If the part does not match with the fitting, please check the piece as specified in this manual.
- During assembly, first loosely align all screws with the corresponding pre-drilled holes and then tighten the screws one by one.
- Periodically inspect screw tightness while the product is in use. If necessary, retighten to ensure structural integrity.
- If you accidentally spill water or another liquid on the surface, immediately wipe clean with a dry towel.
- Please keep the product away from sharp, pointed objects and corrosive substances to prevent product damage.
- Please place this item on level, solid ground during use.

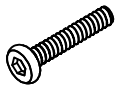

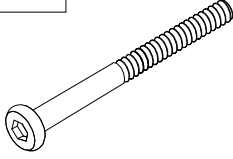




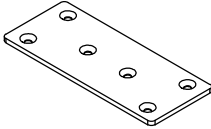
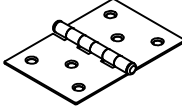
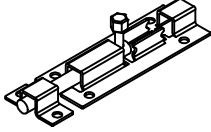



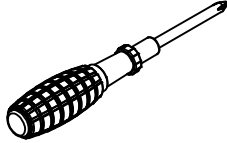
Warnings

- During assembly, keep all small parts out of the reach of children. It may be fatal if swallowed or inhaled.
- Children should not climb or play on the product in order to avoid tipping over the furniture and causing serious injury.
- To avoid the potential dangers of suffocation, please keep all parts and packaging (film, plastic bags, foam, etc.) away from babies and children.
- Keep sharp objects and corrosive items away from the product to avoid any damage or injury.
- Do not shake or move violently during use to avoid tipping over the product.

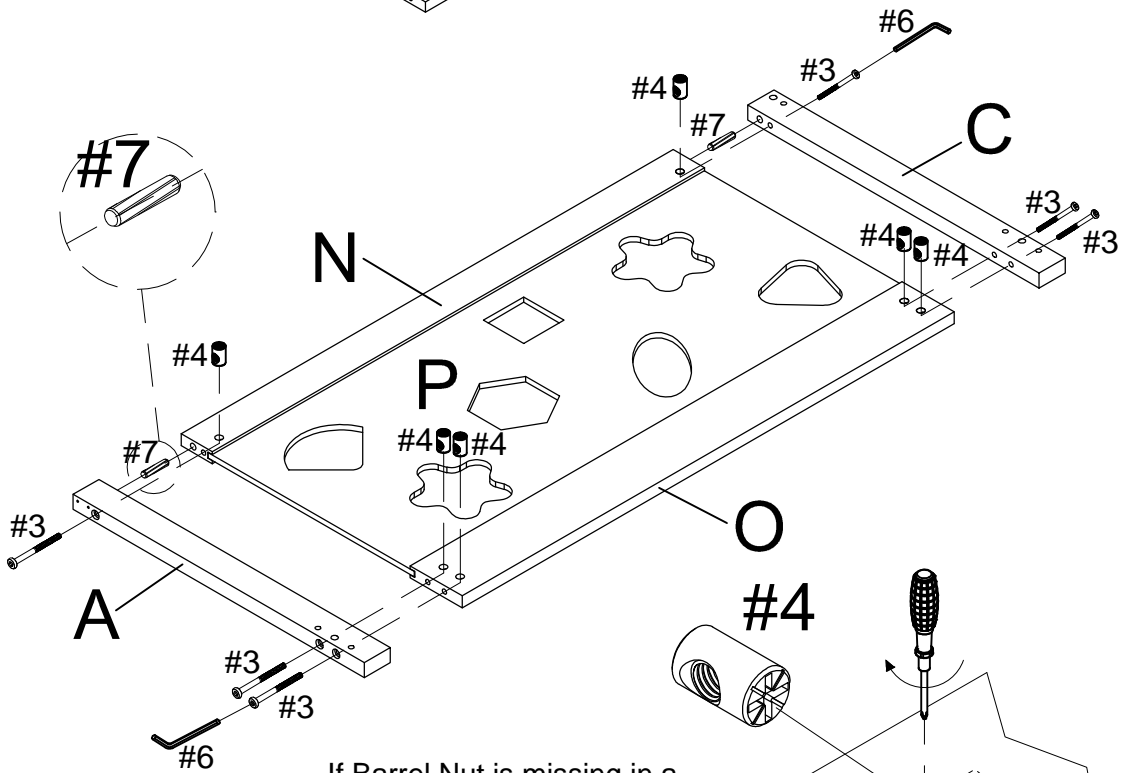
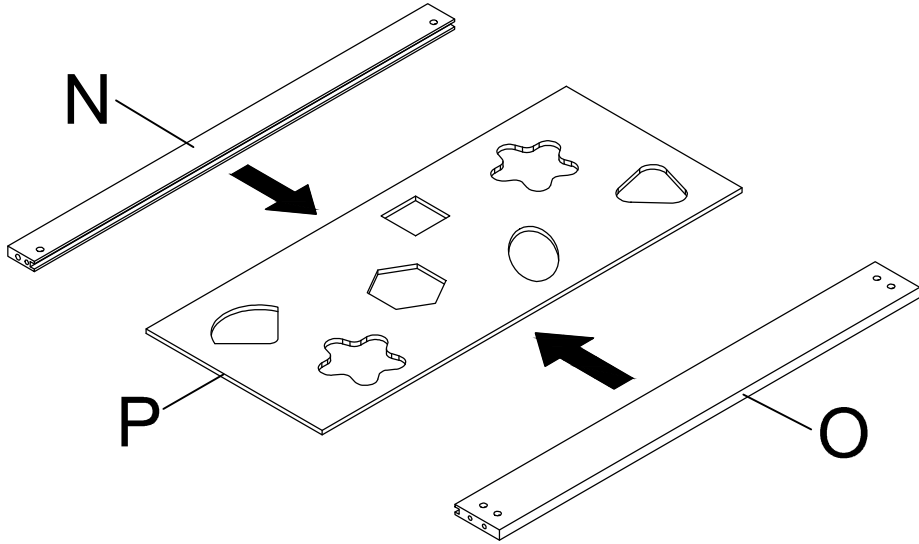
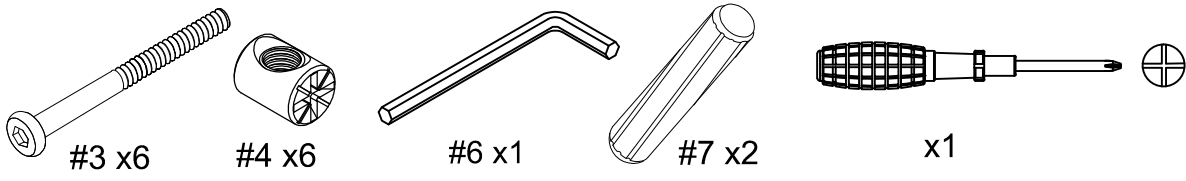
PART LIST

<p>A</p>  <p>560*50*25mm</p> <p>Front Pillar-L</p> <p>1 PC</p>	<p>B</p>  <p>560*50*25mm</p> <p>Front Pillar-R</p> <p>1 PC</p>	<p>C</p>  <p>560*50*25mm</p> <p>Rear Pillar-L</p> <p>1 PC</p>	<p>D</p>  <p>560*50*25mm</p> <p>Rear Pillar-R</p> <p>1 PC</p>	<p>E</p>  <p>440*60*20mm</p> <p>Front Pillar-C</p> <p>1 PC</p>	<p>F</p>  <p>479*400*20mm</p> <p>Door</p> <p>1 PC</p>	<p>G</p>  <p>150*20*20mm</p> <p>Center Leg</p> <p>2 PCS</p>
<p>H</p>  <p>1365*60*20mm</p> <p>Front Top Horizontal</p> <p>1 PC</p>	<p>I</p>  <p>1910*100*20mm</p> <p>Front Bottom Horizontal</p> <p>1 PC</p>	<p>J</p>  <p>1365*396*9mm</p> <p>Front Core Board</p> <p>1 PC</p>				
<p>K</p>  <p>1910*60*20mm</p> <p>Rear Top Horizontal</p> <p>1 PC</p>	<p>L</p>  <p>1910*100*20mm</p> <p>Rear Bottom Horizontal</p> <p>1 PC</p>	<p>M</p>  <p>1910*396*9mm</p> <p>Rear Core Board</p> <p>1 PC</p>				
<p>N</p>  <p>946*60*20mm</p> <p>Side Top Horizontal</p> <p>2 PCS</p>	<p>O</p>  <p>946*100*20mm</p> <p>Side Bottom Horizontal</p> <p>2 PCS</p>	<p>P</p>  <p>946*396*9mm</p> <p>Side Core Board</p> <p>2 PCS</p>				
<p>Q</p>  <p>1800*25*25mm</p> <p>Bed Support Rod</p> <p>2 PCS</p>	<p>R</p>  <p>998*60*18mm</p> <p>Bed Slat</p> <p>7 PCS</p>					

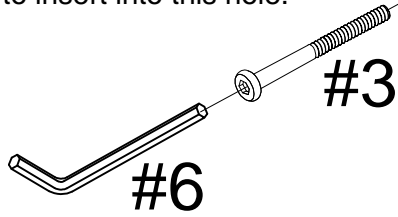
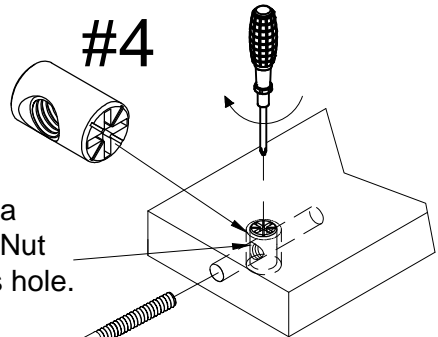
HARDWARE LIST

<p>#1</p>  <p>M6*30mm Short Bolt</p>	<p>#2</p>  <p>M6*35mm Long Bolt</p>	<p>#3</p>  <p>M8*80mm Bolt</p>	<p>#4</p>  <p>M8*Ø11.5*15mm Barrel Nut</p>	<p>#5</p>  <p>4mm Allen Wrench</p>
<p>18 PCS (Extra 2)</p>	<p>12 PCS (Extra 2)</p>	<p>24 PCS (Extra 2)</p>	<p>24 PCS (Extra 2)</p>	<p>1 PC</p>
<p>#6</p>  <p>5mm Allen Wrench</p>	<p>#7</p>  <p>Ø10*40mm Wood Dowel</p>	<p>#8</p>  <p>Iron Sheet</p>	<p>#9</p>  <p>Hinge</p>	<p>#10</p>  <p>Stainless Steel Pin</p>
<p>1 PC</p>	<p>14PCS (Extra 2)</p>	<p>1 PC</p>	<p>2 PCS</p>	<p>1 PC</p>
<p>#11</p>  <p>Ø3.5*15mm Screw</p>	<p>#12</p>  <p>Ø3.5*14mm Head Screw</p>	<p>#13</p>  <p>Ø20mm Beauty Stickers</p>	 <p>Phillips Screwdriver</p>	
<p>18 PCS (Extra 2)</p>	<p>6PCS (Extra 1)</p>	<p>24 PCS (Extra 2)</p>	<p>1 PC</p>	

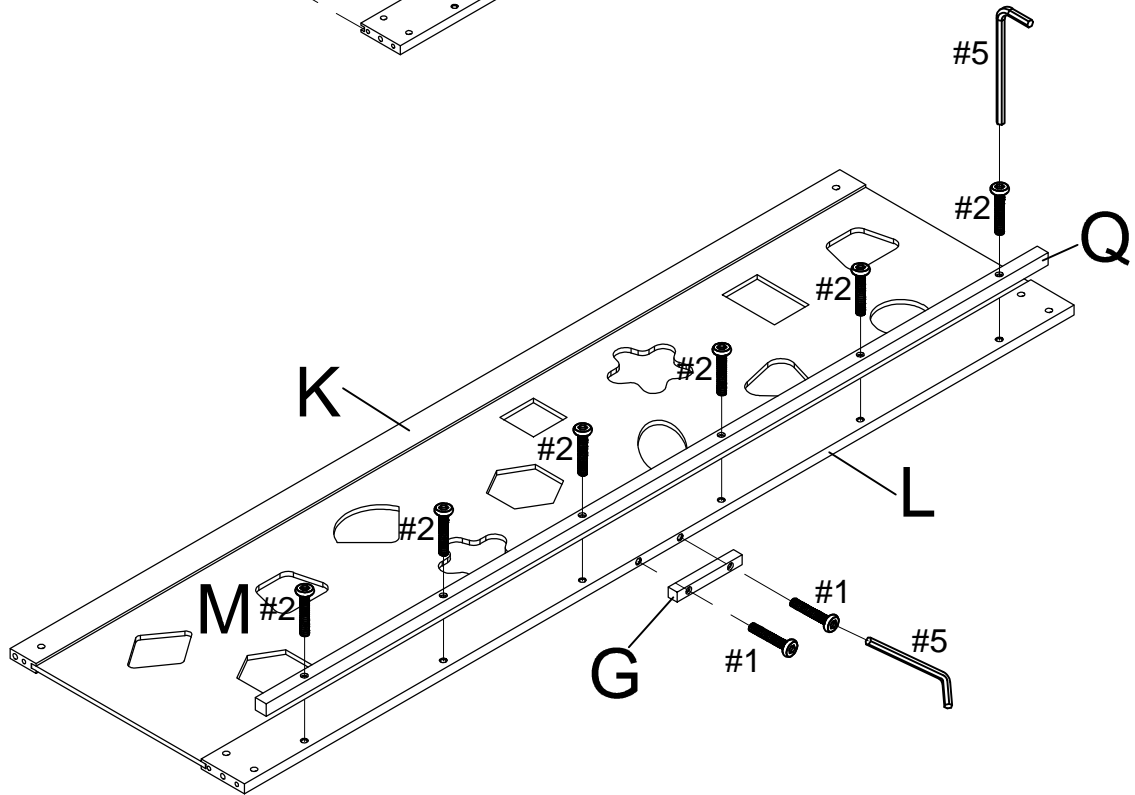
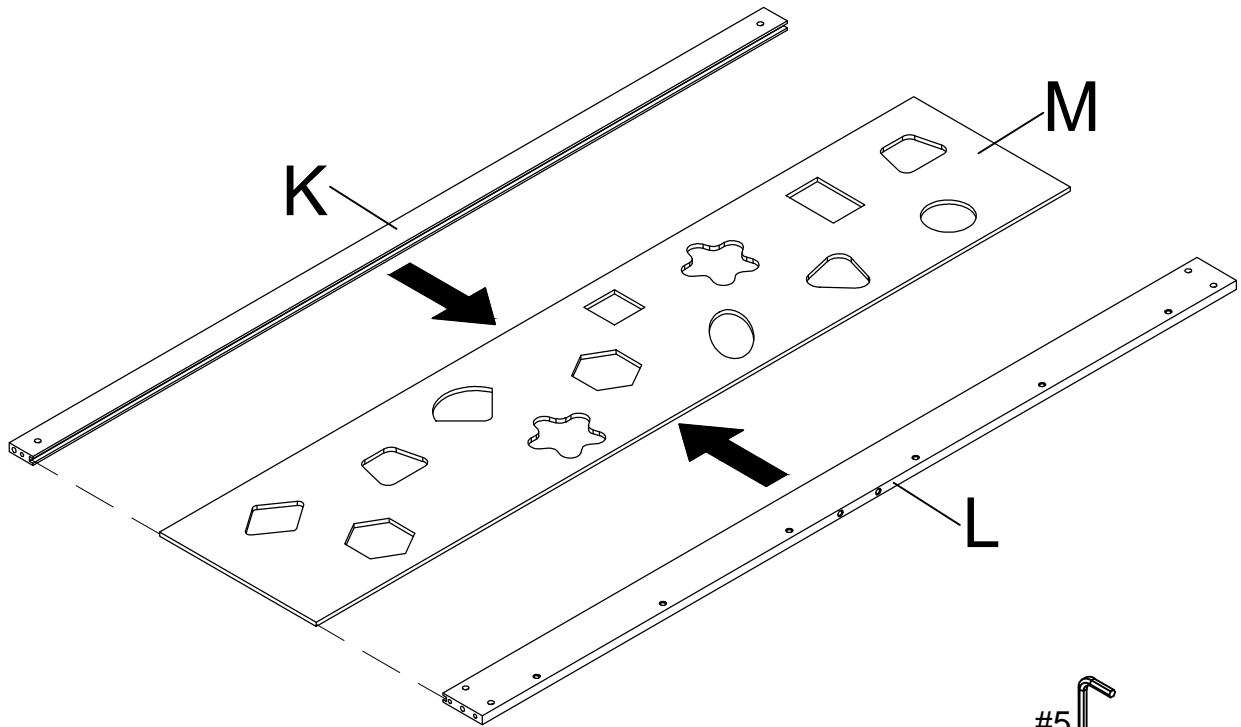
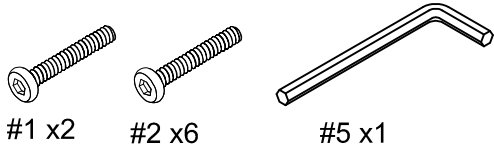
Step 1.



If Barrel Nut is missing in a part, use the extra Barrel Nut provided to insert into this hole.

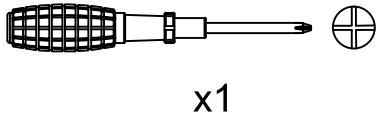


Step 3.

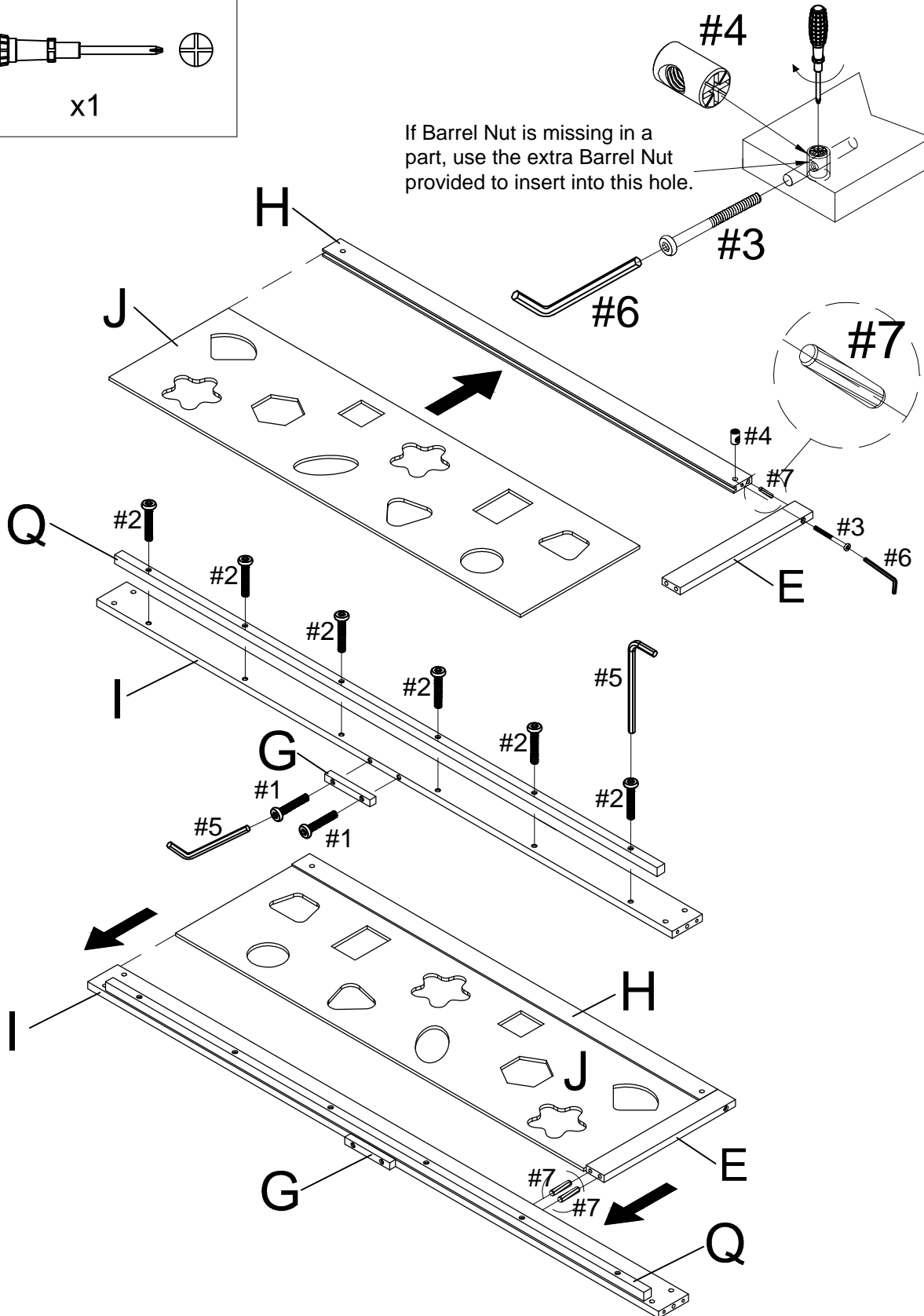


Step 4.

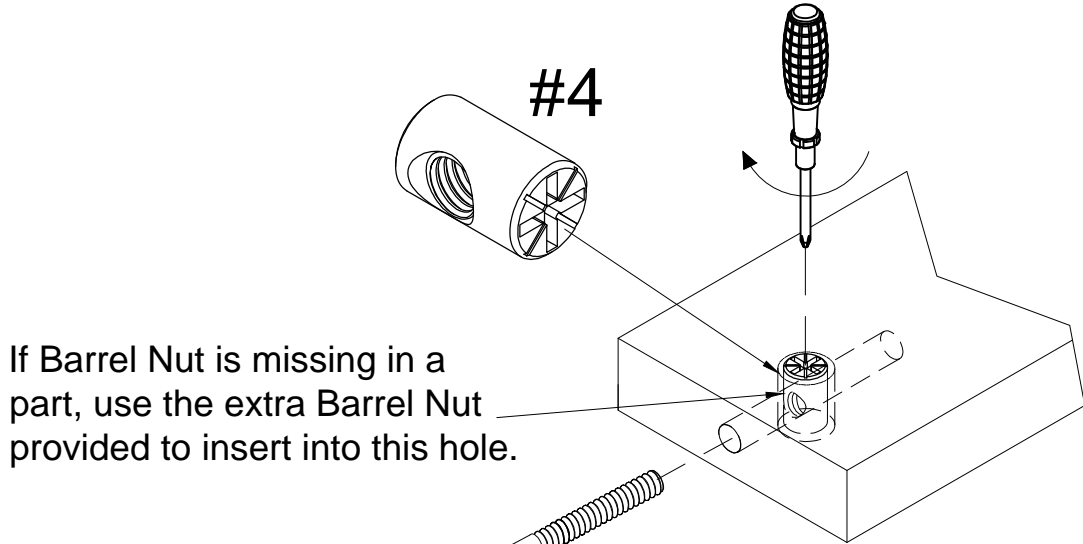
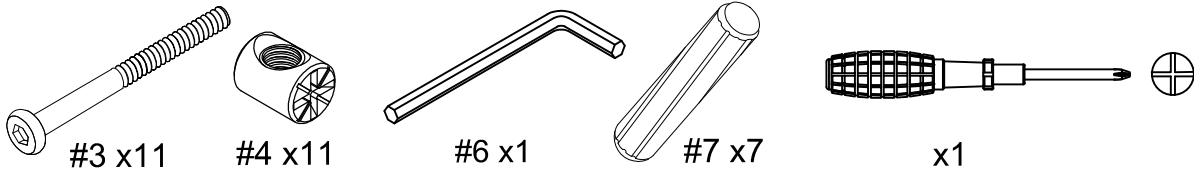
- #1 x2
- #2 x6
- #3 x1
- #4 x1
- #5 x1
- #6 x1
- #7 x3



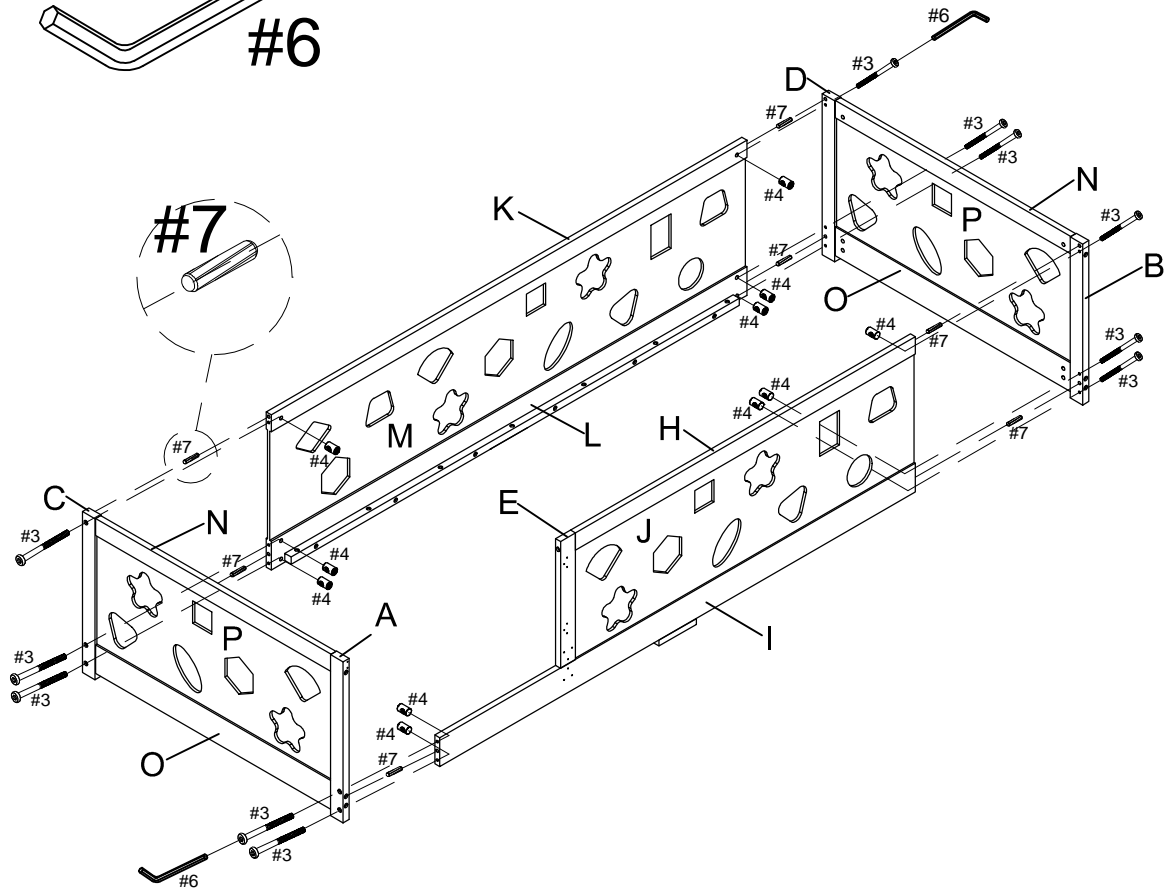
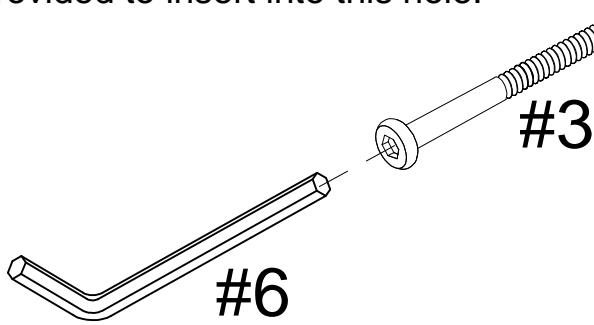
If Barrel Nut is missing in a part, use the extra Barrel Nut provided to insert into this hole.



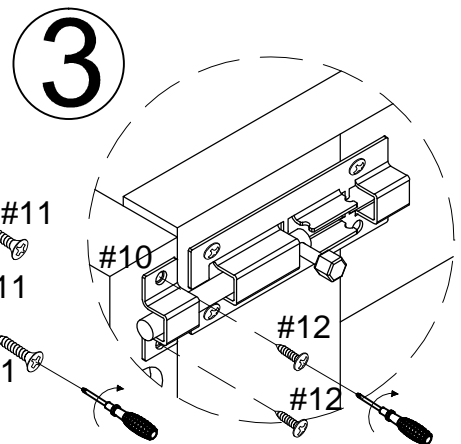
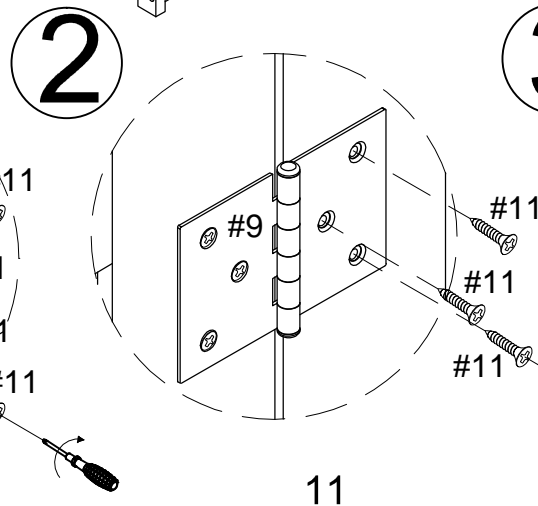
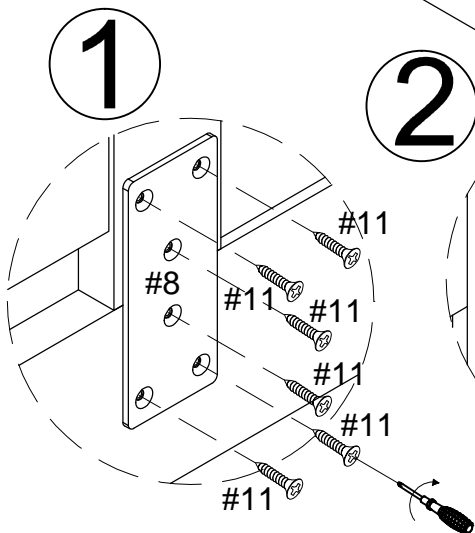
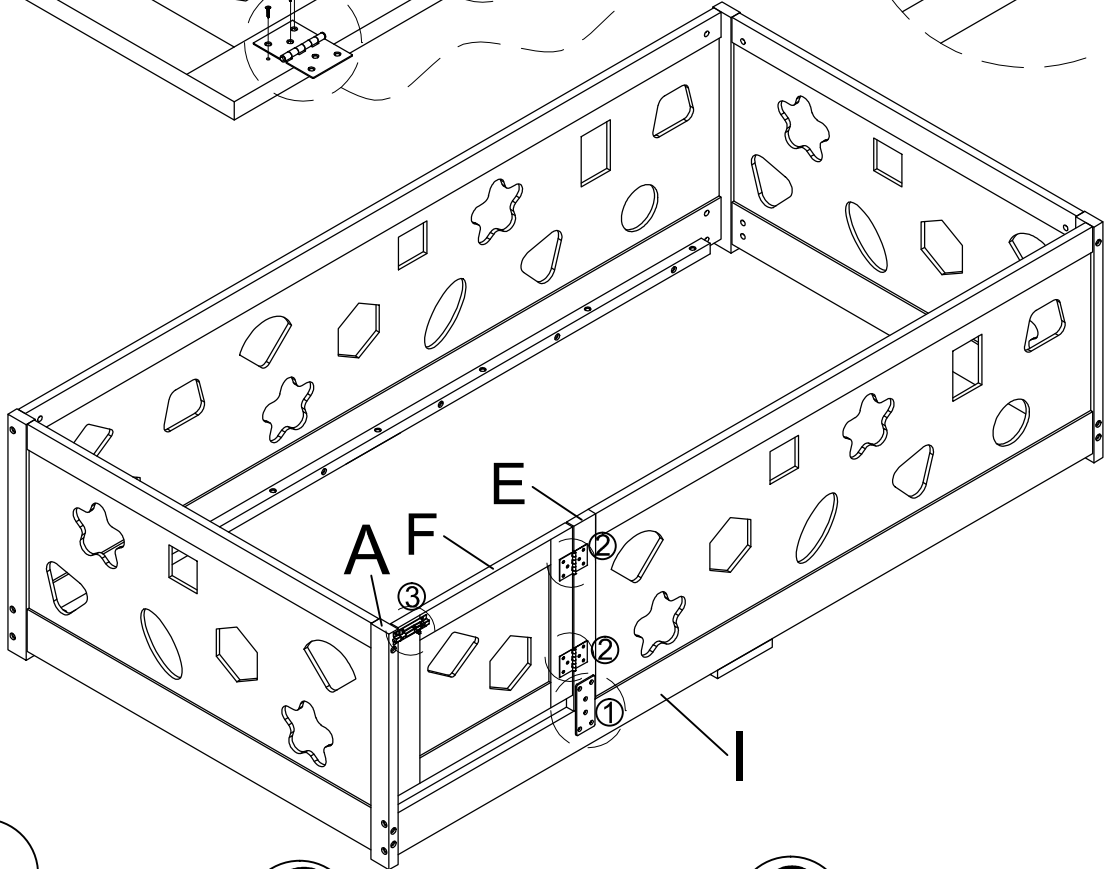
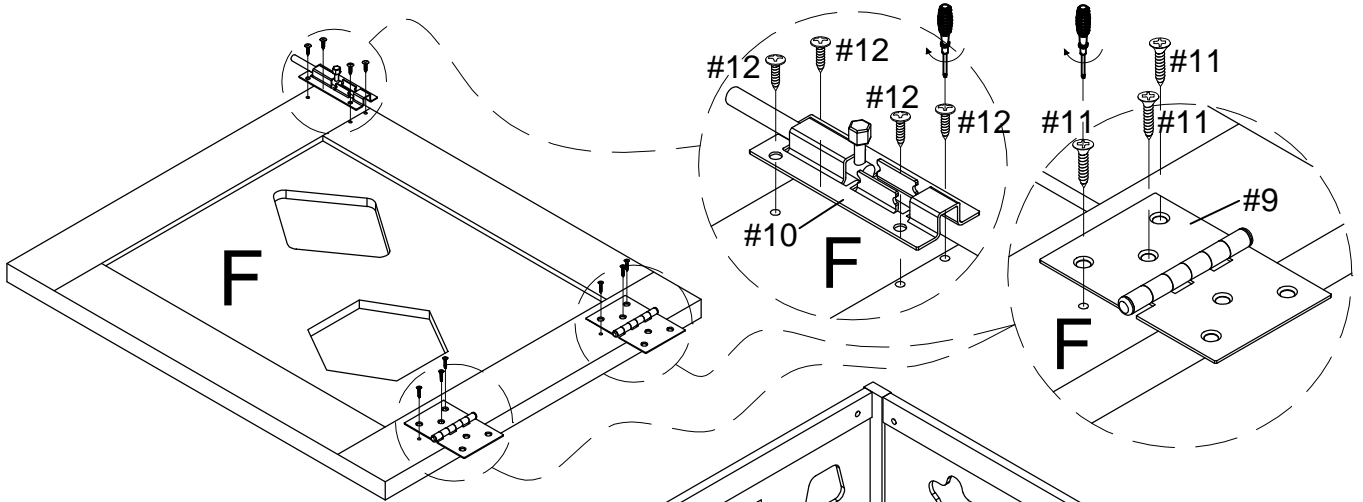
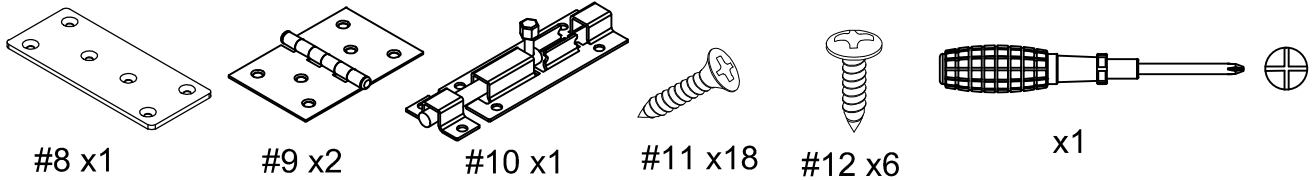
Step 5.



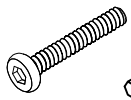
If Barrel Nut is missing in a part, use the extra Barrel Nut provided to insert into this hole.



Step 6.



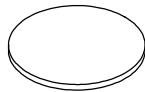
Step 7.



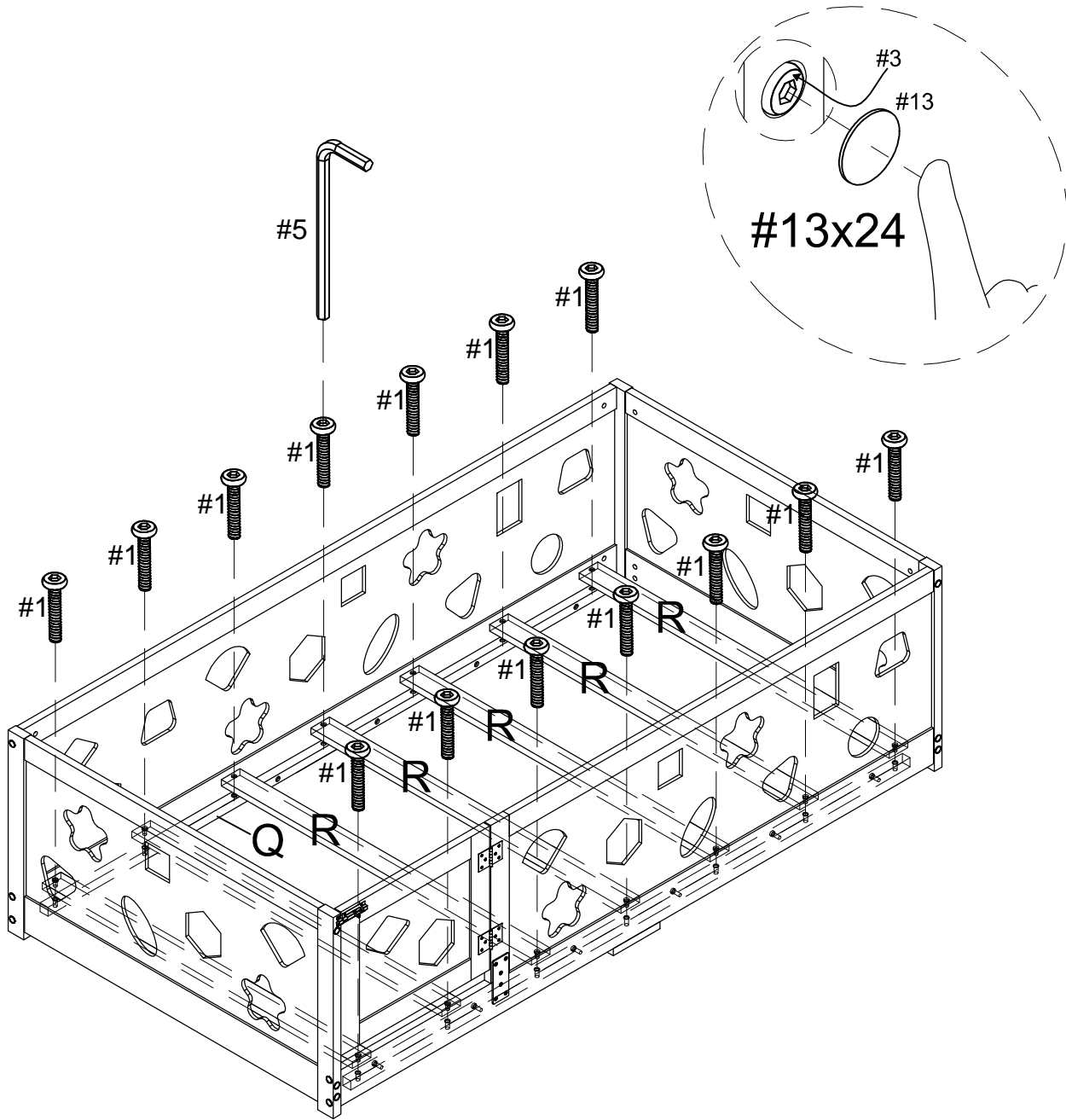
#1 x14



#5 x1



#13 x24



Rx7